

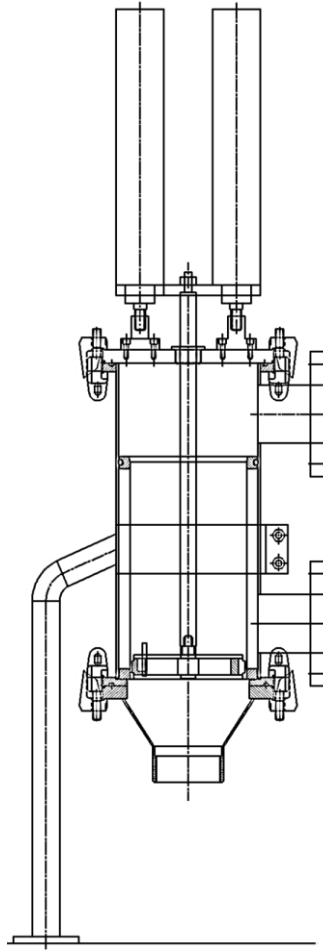
- Elimination or reduction in requirement of bag or cartridge filters in downstream
- Reduction in operator handling, inventory costs and landfill waste
- Reduction in product loss, more thorough automatic contaminant purge
- Reduction or elimination of operator intervention for safer operation
- Virtually maintenance free, near 100% uptime
- Compact design, lower capital cost, can fit most installations
- Stainless steel screens available up to minimum 50 micron slots to handle a wide range of filtration needs
- Completely flameproof design due to pneumatic actuation
- Long operating life of cleaning actuators with twin cylinder design comprising bridged system

Leistung's auto cleaning filtration systems have a filter housing, a strainer element, a self-cleaning mechanism, supports and required accessories.

The filter housing contains a wedge wire strainer element. Unfiltered fluid enters through inlet. Solids are deposited on the interior surface of the filtration screen of the strainer element and filtered fluid exits at the outlet. When the media requires cleaning (based on time set with fully automatic control or selected manually with semi-automatic control), a spring loaded cleaning disc (wiper) travels down and up, wiping the media clean of concentrated solids in both strokes. Once the debris are removed from the slotted screen, the cleaning disc directs the contaminant to the bottom of the housing and out of the flow path. This cleaning process happens while the filter remains in service, thereby maintaining process efficiency and reducing loss of valuable product.

The operation of wiper can be controlled by an on/off switch and a speed controller. When the filter is provided with fully automatic operation control, additional feature such as timer based operation and automatic purging are also available.

Technical Data	
Flow Rate	Up to 40 m ³ /hr
MOC	SS – 304, 316, 316L
Pressure Rating	1 – 5 bar, more on request
Temperature Rating	-25°C to +65°C, more on request
Connection Size	1½" – 3"
Connections	Flange, Socket
Vessel Closure	Rathmann Styled Clamped
Sealing Material	Silicon
Vessel Support	Legs / Flexible Tripod
Surface Finish	Matt Finish, Blast Finish
Customized Design	Available in customized design to accommodate specific requirements
Accessories (Optional)	Pressure Gauge, Vent Valve, Drain Valve, D.P. Gauge



Ordering Chart

ORDER IDENTIFICATION NUMBER

LEISTUNG

LE

AC

F

A

6L

25

OPERATION CONTROL	
F	Fully-automatic
S	Semi-automatic

TYPE OF CONNECTION	
A	ASA 150# Flange
B	BSP socket connection
N	NPT socket connection
U	DIN Flange

TYPE OF FILTRATION SYSTEM	
AC	Auto Cleaning Filtration System

M.O.C.	
16	SS 316
6L	SS 316L
04	SS 304

CON.SIZE	
15	1½"
02	2"
25	2½"
03	3"

In case of special application conditions, please e-mail at: rnd@leistung.in
The technical specifications are subject to change without notice.