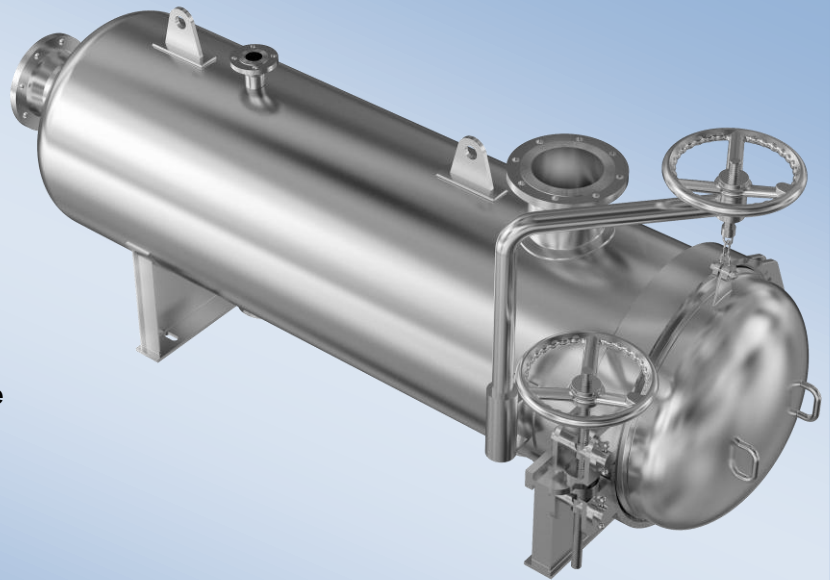


- Suitable for high flow cartridges which provides better flow rates than traditional cartridge filter housing of same size
- More economical option due to smaller size requirements
- Available in both horizontal as well as vertical design
- Operator friendly quick opening closure (QOC) option available that simplifies handling



The innovative design of Leistung's high flow cartridge filter housing provides long filter service life and low operating costs in a compact design. Filter housing is constructed of shell, heads, cartridge holding plate, cartridge cage and positive sealing arrangement for cartridge and choice of end connections. Compression seal fitting is provided to ensure complete isolation of filtered media.

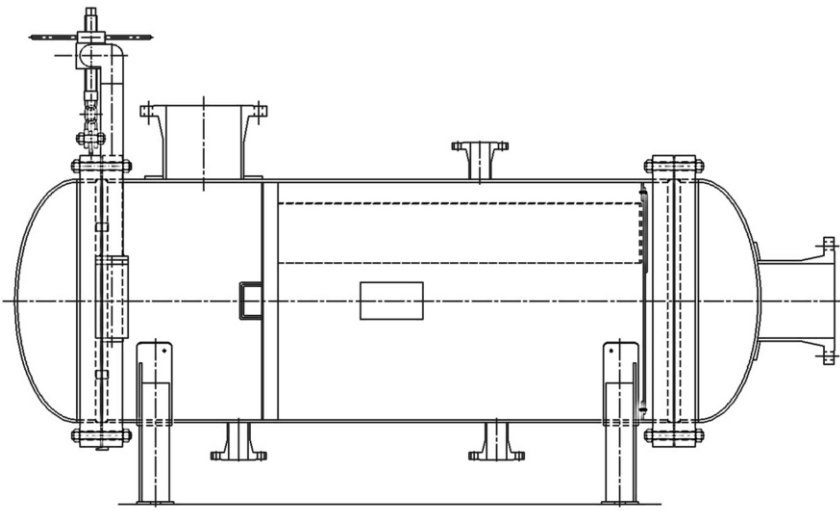
The housings are available in both horizontal as well as vertical designs to suit client requirements. Horizontal design reduces or eliminates requirement of platform or ladder for filter change out. Vertical design occupies less floor area and is more suitable for space-restricted applications.

Normally, the filtration takes place from inside to out through the cartridges. Contaminant removed from the liquid are retained inside the cartridges, making change over and disposal simple. Clear filtrate is collected at outlet.

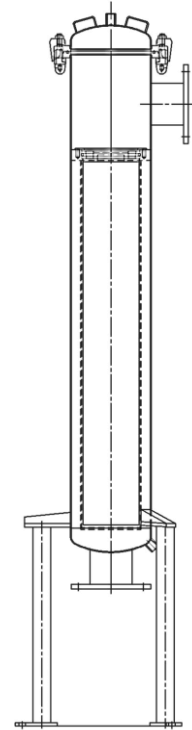
The Leistung HF series housings are ideally suited for application and processes where high flow rates and long service life are primary requirements.

## Technical Data

<b>No. of Cartridges</b>	Up to 25, more on request
<b>Cartridge Length</b>	40", 60"
<b>Flow Rate</b>	Up to 1500 m <sup>3</sup> /hr, more on request
<b>Cartridge Fitment</b>	Plug-in
<b>Design Code</b>	Good Engineering Practice, ASME section VIII Division 1
<b>MOC</b>	MS, CS, SS – 304, 304L, 316, 316L, Duplex 2205
<b>Pressure Rating</b>	1 – 15 bar, more on request
<b>Temperature Rating</b>	-25°C to +65°C, more on request
<b>Connection Size</b>	4" – 20"
<b>Connections</b>	Flange
<b>Vessel Closure</b>	V-Band Clamped, Rathmann Styled Clamped, Bolted
<b>Sealing Material</b>	EPDM, Silicon
<b>Lifting Device</b>	Davit Arm, Lifting Lug, Lifting Handle
<b>Vessel Support</b>	Legs, Skirt, Saddle
<b>Surface Finish</b>	Matt Finish, Mirror Finish, Paint
<b>Optional Finish</b>	Electro Polish, Rubber/FRP Lining
<b>Customized Design</b>	Available in customized design to accommodate specific requirements
<b>Accessories (Optional)</b>	Pressure Gauge, Vent Valve, Drain Valve, D.P. Gauge



Horizontal Orientation

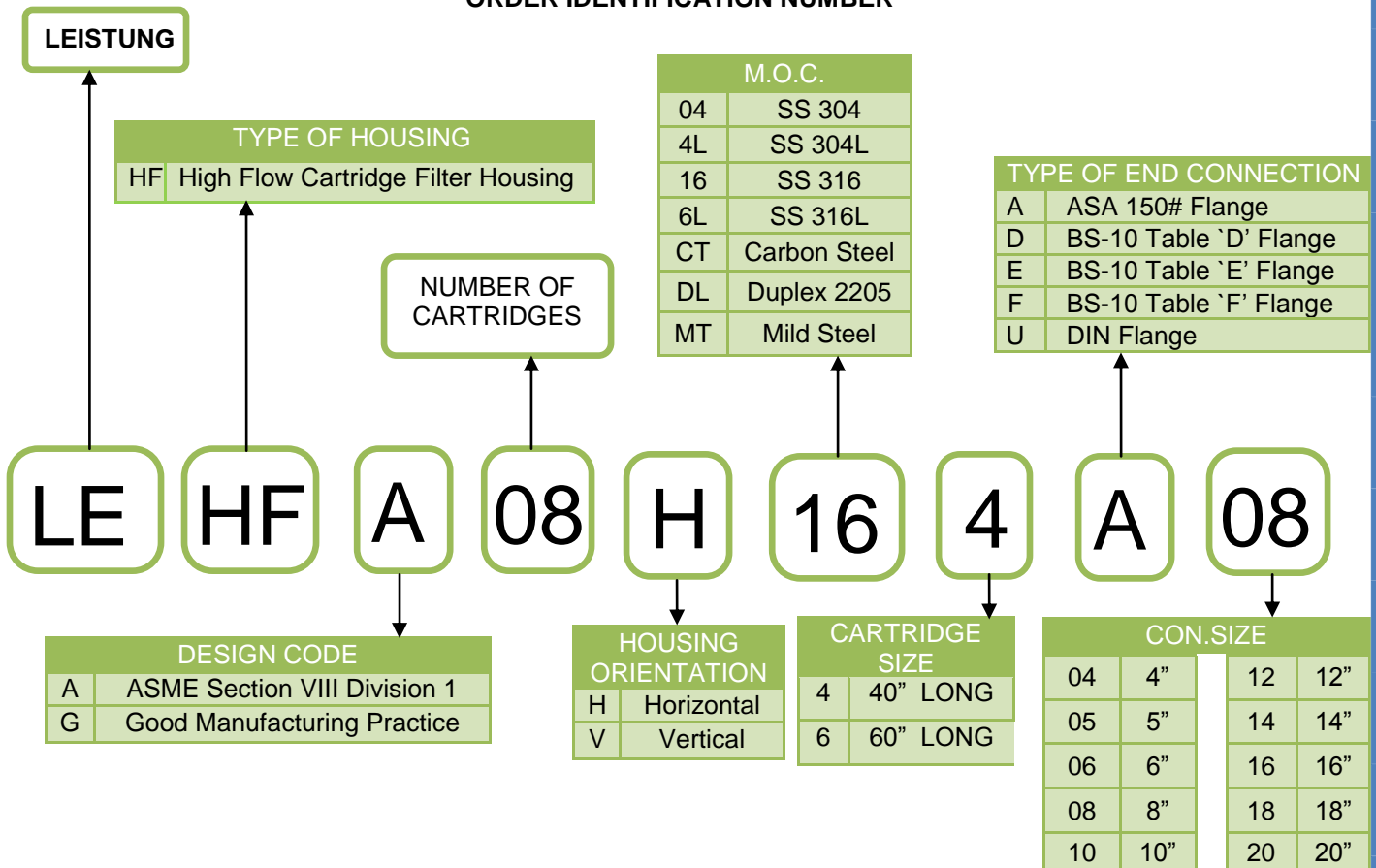


Vertical Orientation

Leistung HF Series High Flow Cartridge Filter Housing

Ordering Chart

ORDER IDENTIFICATION NUMBER



In case of special application conditions, please e-mail at: rnd@leistung.in  
The technical specifications are subject to change without notice.