

## Module Filter Housing

- Closed system ensures product purity & no product losses
- Requires less space than classified filtration systems due to vertical design
- Maximum reliability against product contamination
- Maximum operational safety due to specific design
- Simple handling due to rapid module change & ease of cleaning
- Available with Rathmann bolting clamps or V-band clamp closure options
- Can be sterilized by autoclaving or steam sterilization or disinfected with hot water or chemicals
- Supplied as a ready to use unit, subsequent retightening after wetting is not necessary, simplified handling



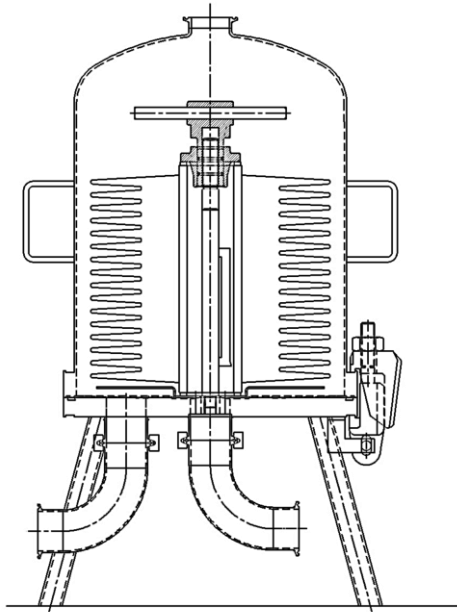
Leistung's module filter housing design concept is to combine the advantages of conventional depth filter sheets with the positive features of enclosed filters. They are widely used in the chemical, cosmetics & food industry. They can be used successfully in certain sections of the pharmaceutical and biotechnology industry.

Leistung's module filter housings are enclosed filter housings consisting of a bottom part with 3 legs and a detachable housing dome. The bottom part with inlet & outlet socket contains the centering and mounting unit for holding the module with a flat adapter or double O-ring adapter type module filters.

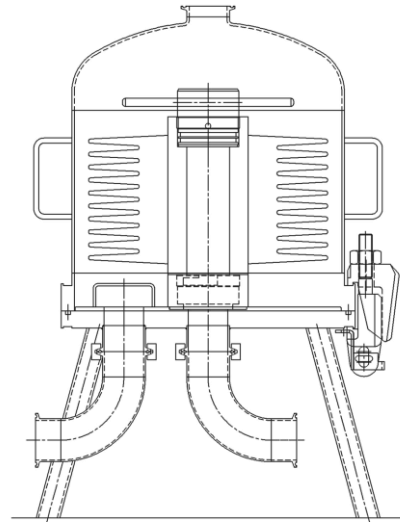
The connection between the flat bottom part and the housing dome is realized through a quick closure device like V-band clamp or Rathmann clamp.

The module filter housings are available in variety of sizes, design & types.

Technical Data	
<b>No. of Cells</b>	9, 12, 16, other on request
<b>No. of Stacks</b>	Up to 3, more on request
<b>No. of Columns</b>	Up to 4, more on request
<b>Module Fitment</b>	Tie Rod
<b>Design Code</b>	Good Engineering Practice, ASME section VIII Division 1
<b>MOC</b>	SS – 304, 304L, 316, 316L, Duplex 2205
<b>Pressure Rating</b>	1 – 15 bar
<b>Temperature Rating</b>	-25°C to +65°C, more on request
<b>Connection Size</b>	2" – 4", more on request
<b>Connections</b>	Flange, V-Band (Hygienic) Clamp
<b>Vessel Closure</b>	V-Band Clamped, Rathmann Styled Clamped, Bolted
<b>Sealing Material</b>	EPDM, Silicon
<b>Lifting Device</b>	Davit Arm, Lifting Lug, Lifting Handle
<b>Vessel Support</b>	Legs
<b>Surface Finish</b>	Matt Finish, Mirror Finish
<b>Optional Finish</b>	Electro Polish
<b>Customized Design</b>	Available in customized designing to accommodate specific requirements
<b>Accessories (Optional)</b>	Pressure Gauge, Vent Valve, Drain Valve, D.P. Gauge



DOE Cartridge Type Module



Bayonet Lock Type Module

### Ordering Chart

#### ORDER IDENTIFICATION NUMBER

