

Seawater Desalination Filter Housing

- Unique design filter housing designed for sea water desalination, heavy acid / alkali chemicals
- Materials included mild steel or carbon steel with rubber lining or FRP lining, duplex & super duplex
- Filter housing internals available in different material of construction to suit the end application
- Available in different design pressure
- Various inlet & outlet connection options available
- Custom design housing are available
- Leistung has built filter housing for flow rate up to 1000 m³/hr

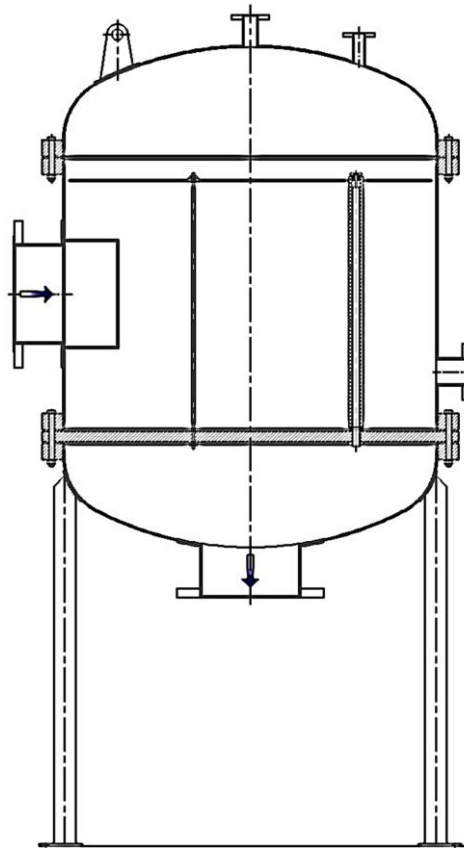


Housing is constructed of shell, tube sheet, positive sealing arrangement for cartridge and choice of end connection.

Seawater, free from large solid particles enters the housing and is distributed evenly around the filter cartridges. Filtration takes place from outside to inside, fine solid particles are collected on the outside of filter cartridge and clear filtrate is collected at outlet.

Technical Data

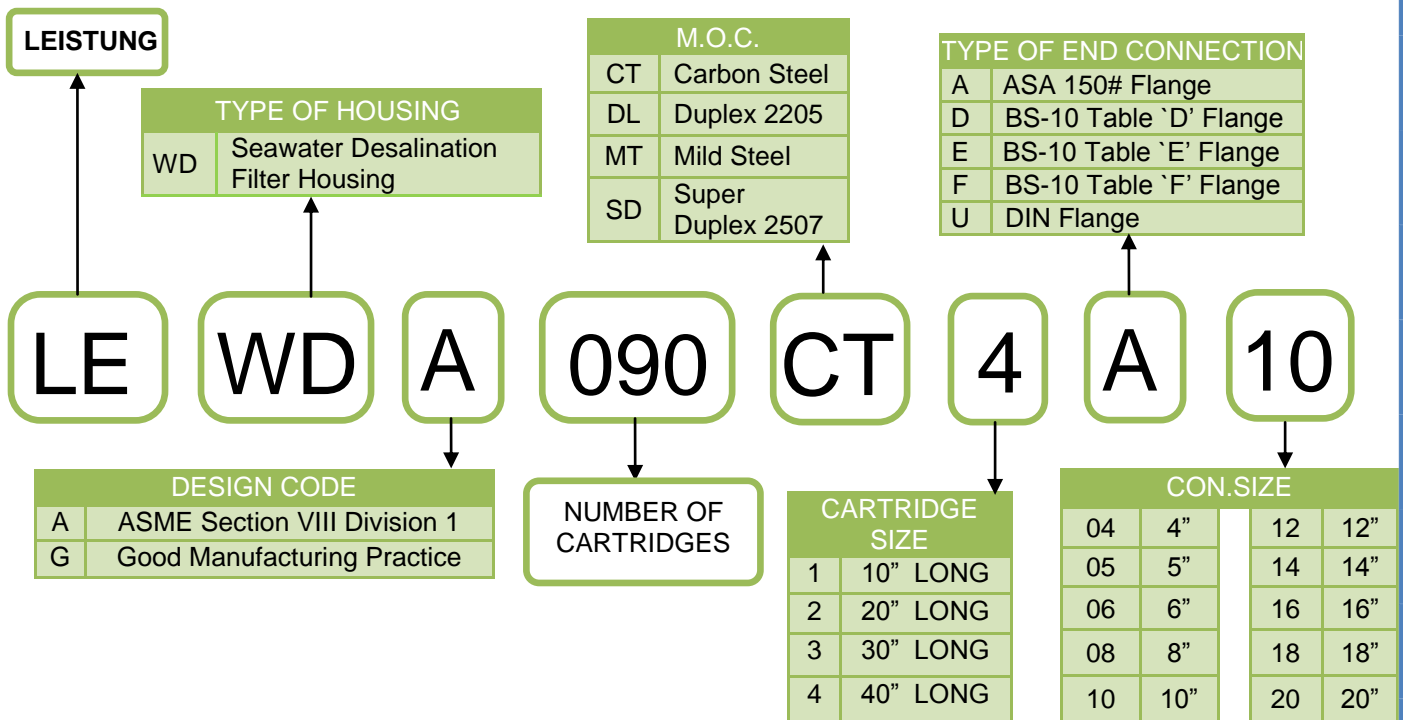
Technical Data	
No. of Cartridges	Up to 250, more on request
Cartridge Length	10", 20", 30", 40"
Flow Rate	Up to 1000 m ³ /hr, more on request
Cartridge Fitment	Tie Rod
Design Code	Good Engineering Practice, ASME section VIII Division 1
MOC	MS, CS, Duplex 2205, Super Duplex 2507
Pressure Rating	1 – 15 bar
Temperature Rating	-25°C to +65°C, more on request
Connection Size	4" – 20"
Connections	Flange
Vessel Closure	Rathmann Styled Clamped, Bolted
Sealing Material	EPDM, Silicon
Lifting Device	Davit Arm, Lifting Lug, Lifting Handle
Vessel Support	Legs, Skirt
Surface Finish	Matt Finish, Mirror Finish, Paint
Optional Finish	Rubber/FRP Lining and/or Painting
Customized Design	Available in customized design to accommodate specific requirements
Accessories (Optional)	Pressure Gauge, Vent Valve, Drain Valve, D.P. Gauge



Leistung WD Series Seawater Desalination Filter Housing

Ordering Chart

ORDER IDENTIFICATION NUMBER



In case of special application conditions, please e-mail at: rnd@leistung.in
The technical specifications are subject to change without notice.