

2-Way Diaphragm Valve

Cast stainless steel body, pneumatically operated

- Cavity free and self-draining
- Hermetical separation of fluids from the operating mechanism by diaphragm
- Fully Autoclavable
- Full traceability as per EN 10204 3.1 and ASME BPE
- Various internal surface finish available each with less than 0.40 Ra



Series 15 pneumatically operated diaphragm valve has a flow-optimized stainless steel body, a diaphragm, and actuator. The stainless steel body is available with various surface finish.

The diaphragm is both a switch as well as a sealing element for the media. It is easily replaceable.

An actuator is provided for the protection of diaphragm and for opening and closing actuation of valve.

Technical Data

Connection Size	½" - 3"	
Rated Air Pressure	6 Bar(g)	
MOC – Wetted (Contact)	ASTM A351 CF3M (SS 316L)	
MOC – Non-wetted (Non- contact)	Polyamide or ASTM A351 CF8 (SS 304)	
Seal material	EPDM, PTFE	
Media	Neutral gases and liquids, high purity, sterile, aggressive or abrasive fluids	
Viscosity	Up to viscous	
Surface finish	Mechanical or Electro Polish	
Media temperature	EPDM	-10°C to +75 °C
	PTFE	-10°C to +90 °C
Ambient temperature	Up to +90 °C	
Sterilization temperature	EPDM	Briefly up to +130 °C
	PTFE	Briefly up to +150 °C
End connections	ASME BPE • V-band (Hygienic) Clamp • Butt-Weld - EN ISO 1127/ISO 4200 and BS 4825 are available on request	
Installation	As required, preferably with actuator in upright position	

2-way diaphragm valve, cast stainless steel body, pneumatically operated

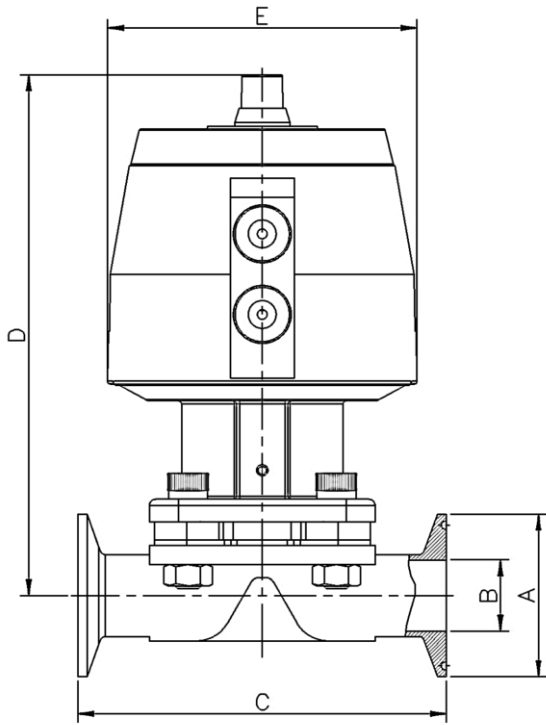


Figure 151
Body with V-band (Hygienic) Clamp Connector

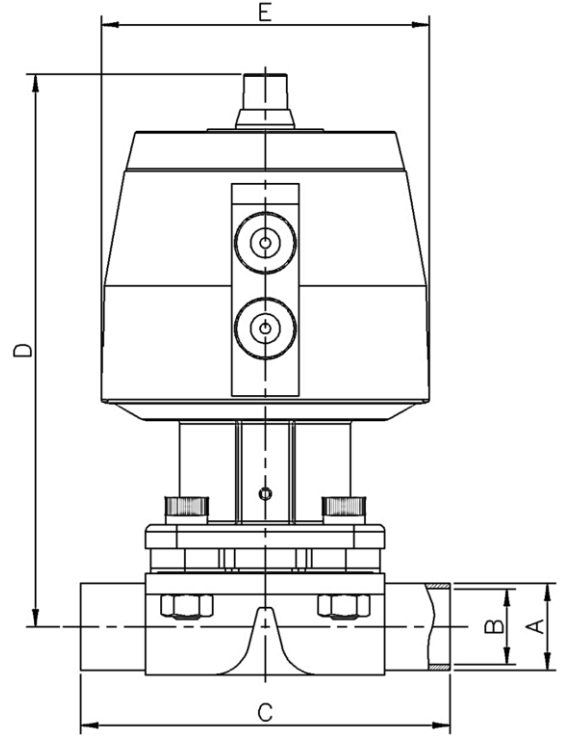


Figure 152
Body with Butt-weld End

Dimensions for end connections according to ASME BPE connection type

Body with V-band (Hygienic) Clamp Connector (Refer Figure 151)					
Connection Size	Flange OD	Pipe ID	Face to Face Length	Max. Valve Height from Pipe Center	Outside Diameter of Actuator
	A	B	C	D	E
	(mm)	(mm)	(mm)	(mm)	(mm)
½" Mini	25.00	9.40	63.5	111.1	68.0
½" Regular	25.00	9.40	88.9	114.8	68.0
¾"	25.00	15.75	101.6	117.6	68.0
1"	50.40	22.10	114.3	162.3	96.0
1½"	50.40	34.80	139.7	234.2	151.0
2"	63.90	47.50	158.8	240.4	151.0
2½"	77.40	60.20	193.8	267.7	180.0
3"	90.90	72.90	222.3	273.7	180.0

Body with Butt-weld End (Refer Figure 152)					
Connection Size	Pipe OD	Pipe ID	Face to Face Length	Max. Valve Height from Pipe Center	Outside Diameter of Actuator
	A	B	C	D	E
	(mm)	(mm)	(mm)	(mm)	(mm)
½" Mini	12.70	9.40	63.5	111.1	68.0
½" Regular	12.70	9.40	84.0	114.8	68.0
¾"	19.05	15.75	84.0	117.6	68.0
1"	25.40	22.10	108.0	162.3	96.0
1½"	38.10	34.80	131.0	234.2	151.0
2"	50.80	47.50	131.0	240.4	151.0
2½"	63.50	60.20	154.0	267.7	180.0
3"	76.20	72.90	154.0	273.7	180.0

Notes:

1. Dimensions and tolerances for end connections and face-to-face length are as per ASME BPE.
2. All other dimensions are approximate and subject to change without prior notice.

Ordering Chart

ORDER IDENTIFICATION NUMBER

LEISTUNG

CONN. SIZE	
M5	½" Mini
R5	½" Reg.
07	¾"
10	1"
15	1½"
20	2"
25	2½"
30	3"

TYPE OF DIAPHRAGM	
E	EPDM
P	PTFE

CERTIFICATE	
9	ISO 9001
P2	ISO 9001 + 'CE' (PED 97/23/EC)

TYPE OF END CONNECTION	
B	BUTT WELD
T	V-BAND (HYGIENIC) CLAMP

LE 15 A 10 E O 6 E T 9

SERIES NUMBER	
15	SERIES 15

Actuator Type	
O	Normally Open (NO)
C	Normally Closed (NC)
A	Double Actuating

RESERVED

CONNECTION TYPE	
A	ASME BPE
B	BS 4825
E ¹	EN ISO 1127/ISO 4200

SURFACE FINISH	
M	MECHANICAL POLISH
E	ELECTRO POLISH

Notes:

- 1 – EN ISO 1127/ISO 4200 offers standards for butt-weld end connections only.
- 2 – 'CE'-marking is applicable for valves with connection sizes 1½", 2", 2½" and 3" only.
- 3 – Valves with end connection sizes according to EN ISO 1127/ISO 4200 and BS 4825 are available on request.

In case of special application conditions, please e-mail at: rnd@leistung.in
 The technical specifications are subject to change without notice.