

2-Way Diaphragm Valve, Forged stainless steel body, manually operated

- Cavity free and self-draining
- Hermetical separation of fluids from the operating mechanism by diaphragm
- Fully machined from SS 316L bar-stock– no welded components
- Fully Autoclavable
- Full traceability as per EN 10204 3.1 and ASME BPE
- Various internal surface finish available each with less than 0.40 Ra



Series 20 manually operated diaphragm valve has a flow-optimized stainless steel body, a diaphragm, a bonnet and manual handle. The stainless steel body is available with various surface finish.

The diaphragm is both a switch as well as a sealing element for the media. It is easily replaceable.

The bonnet is provided for the protection of diaphragm and handle-mechanism.

Flow can be continually adjusted with proper positioning of the handle. Position indicator is provided at top of the handle.

This valve is designed for zero dead leg and can be mounted to be self-draining. This allows high flow capacity and variety of applications.

Technical Data		
Connection Size	1/2" - 3"	
MOC – Wetted (Contact)	Stainless Steel 316L	
MOC – Non-wetted (Non- contact)	Polyamide or ASTM A351 CF8 (SS 304)	
Seal material	EPDM, PTFE	
Media	Neutral gases and liquids, high purity, sterile, aggressive or abrasive fluids	
Viscosity	Up to viscous	
Surface finish	Mechanical or Electro Polish	
Media temperature	EPDM	-10°C to +75 °C
	PTFE	-10°C to +90 °C
Ambient temperature	Up to +90 °C	
Sterilization temperature	EPDM	Briefly up to +130 °C
	PTFE	Briefly up to +150 °C
End connections	ASME BPE • V-band (Hygienic) Clamp • Butt-Weld - EN ISO 1127/ISO 4200 and BS 4825 are available on request	
Installation	As required, preferably with handle in upright position	
Installation for Self-draining mounting	Tilted 10° to 35° to the horizontal and inclined 3° to 5° to the direction of flow	
Options	Locking function available with polyamide bonnet	

2-Way diaphragm valve, forged stainless steel body, manually operated
Body with Butt-weld End

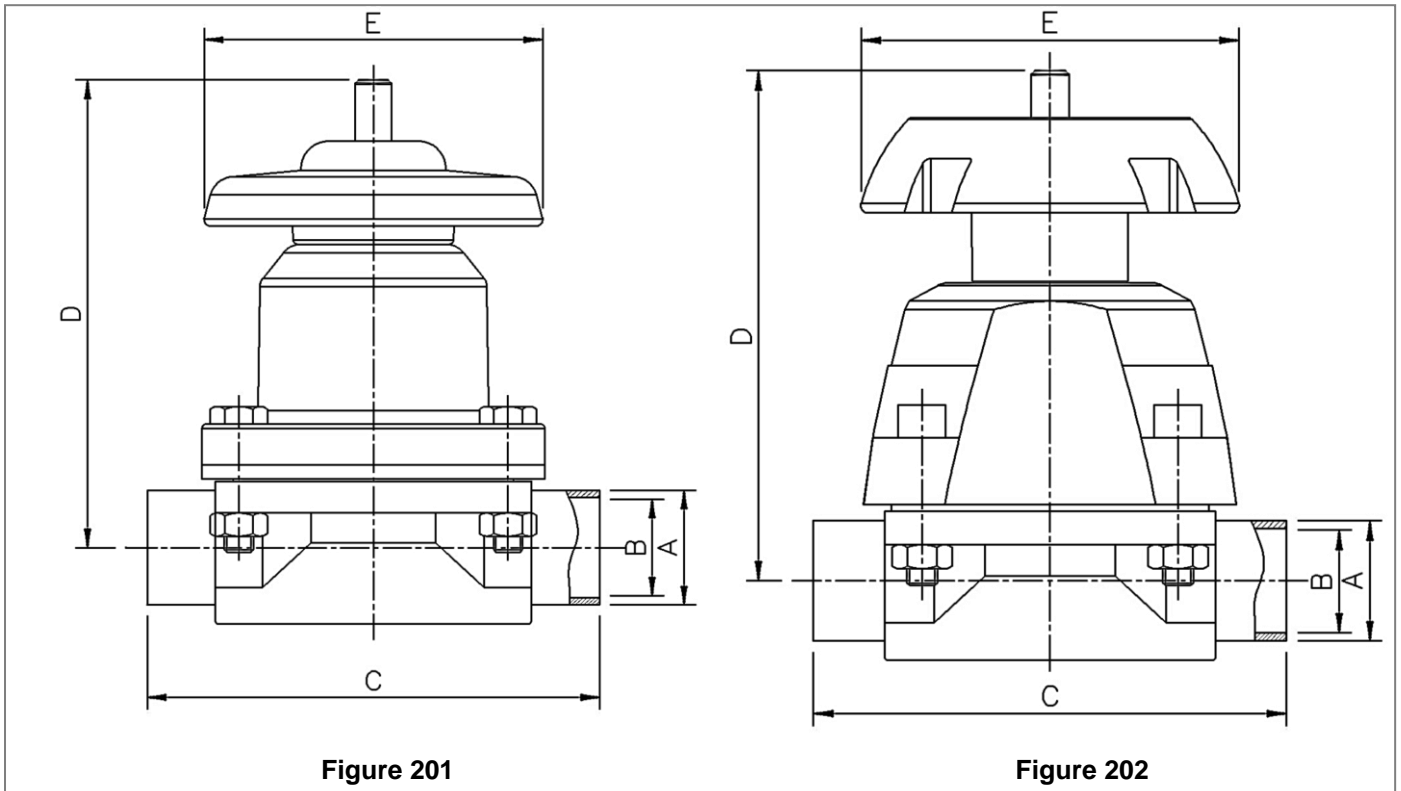


Figure 201

Figure 202

Dimensions for end connections according to ASME BPE connection type

Bonnet and Handle - Stainless Steel (Refer Figure 201)					
Connection Size	Pipe OD	Pipe ID	Face to Face Length	Max. Valve Height from Pipe Center	Outside Diameter of Handle
	A	B	C	D	E
	(mm)	(mm)	(mm)	(mm)	(mm)
½" Mini*	12.70	9.40	70.0	69.5	40.0
½" Regular	12.70	9.40	84.0	78.3	59.5
¾"	19.05	15.75	84.0	81.4	59.5
1"	25.40	22.10	108.0	103.5	91.0
1½"	38.10	34.80	131.0	137.7	109.5
2"	50.80	47.50	131.0	144.5	109.5
2½"	63.50	60.20	154.0	162.1	152.0
3"	76.20	72.90	154.0	168.0	152.0

Bonnet and Handle - Polyamide (Refer Figure 202)					
Connection Size	Pipe OD	Pipe ID	Face to Face Length	Max. Valve Height from Pipe Center	Outside Diameter of Handle
	A	B	C	D	E
	(mm)	(mm)	(mm)	(mm)	(mm)
½" Regular	12.70	9.40	84.0	88.3	79.0
¾"	19.05	15.75	84.0	91.4	79.0
1"	25.40	22.10	108.0	110.8	93.0
1½"	38.10	34.80	131.0	130.1	116.5
2"	50.80	47.50	131.0	136.9	116.5
2½"	63.50	60.20	154.0	170.0	149.0
3"	76.20	72.90	154.0	176.0	149.0

* - No position indicator available for this valve

**2-Way diaphragm valve, forged stainless steel body, manually operated
Body with V-band (Hygienic) Clamp Connector**

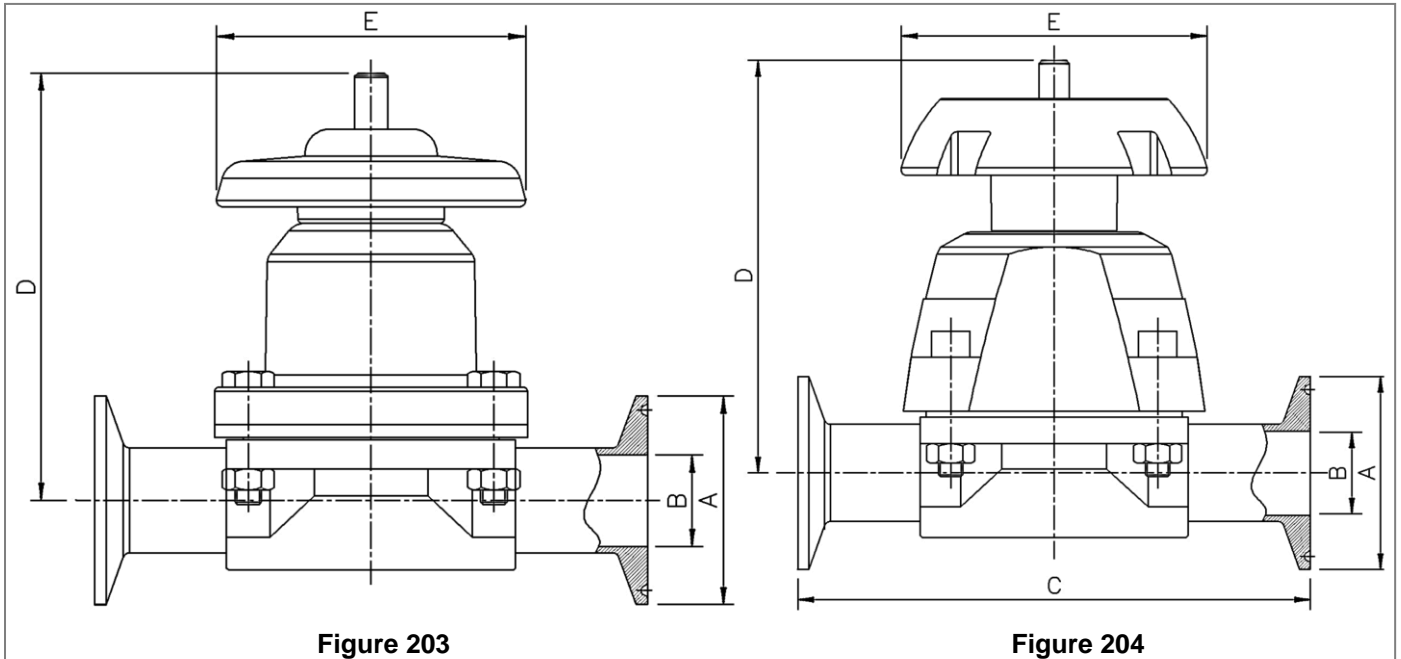


Figure 203

Figure 204

Dimensions for end connections according to ASME BPE connection type

Bonnet and Handle - Stainless Steel (Refer Figure 203)					
Connection Size	Flange OD	Pipe ID	Face to Face Length	Max. Valve Height from Pipe Center	Outside Diameter of Handle
	A	B	C	D	E
	(mm)	(mm)	(mm)	(mm)	(mm)
1/2" Mini*	25.00	9.40	95.5	69.5	40.0
1/2" Regular	25.00	9.40	109.5	78.3	59.5
3/4"	50.40	15.75	109.5	81.4	59.5
1"	50.40	22.10	133.5	103.5	91.0
1 1/2"	50.40	34.80	156.5	137.7	109.5
2"	63.90	47.50	156.5	144.5	109.5
2 1/2"	77.40	60.20	179.5	162.1	152.0
3"	90.90	72.90	179.5	168.0	152.0

* - No position indicator available for this valve

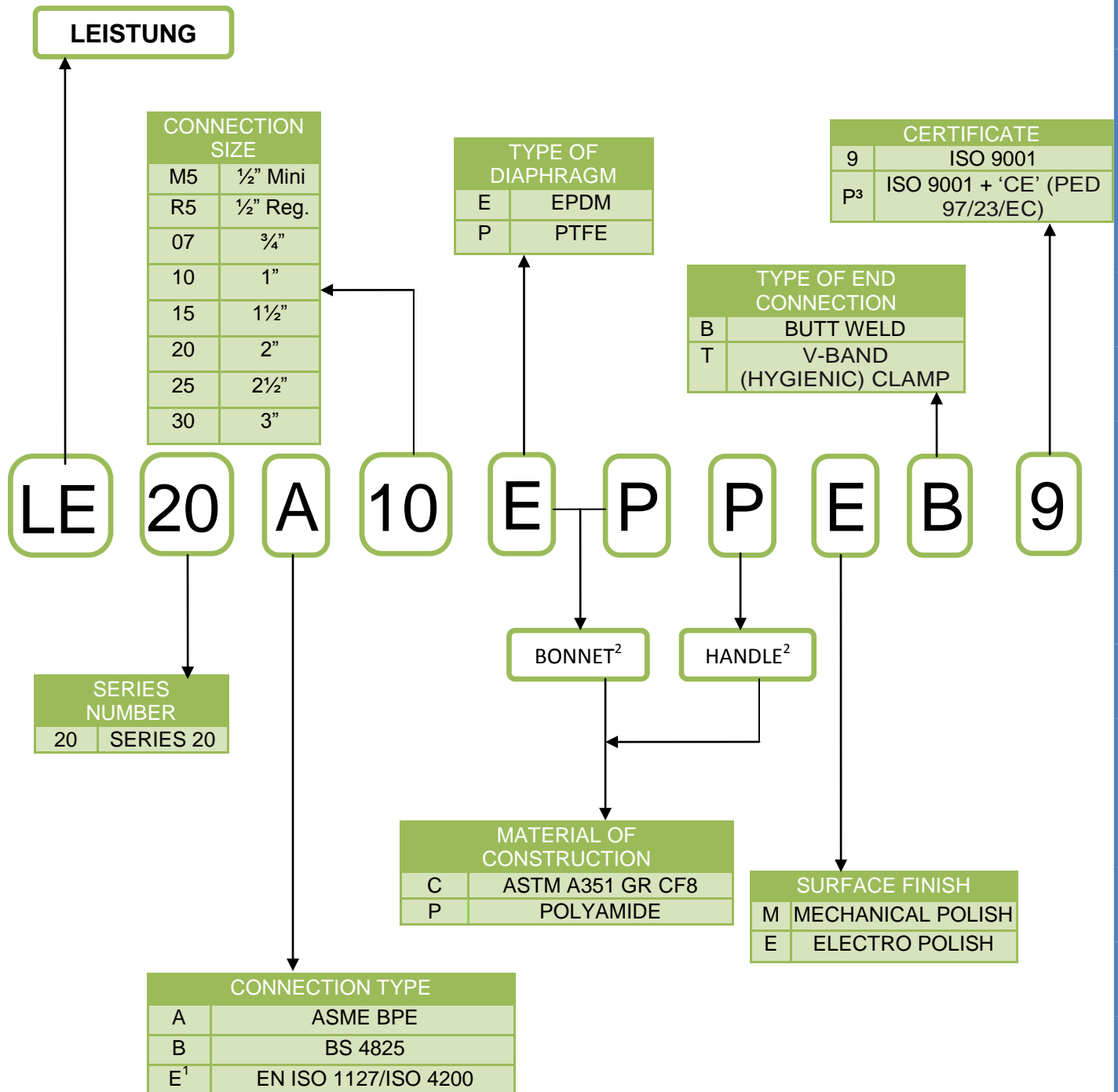
Bonnet and Handle - Polyamide (Refer Figure 204)					
Connection Size	Flange OD	Pipe ID	Face to Face Length	Max. Valve Height from Pipe Center	Outside Diameter of Handle
	A	B	C	D	E
	(mm)	(mm)	(mm)	(mm)	(mm)
1/2" Regular	25.00	9.40	109.5	88.3	79.0
3/4"	50.40	15.75	109.5	91.4	79.0
1"	50.40	22.10	133.5	110.8	93.0
1 1/2"	50.40	34.80	156.5	130.1	116.5
2"	63.90	47.50	156.5	136.9	116.5
2 1/2"	77.40	60.20	179.5	170.0	149.0
3"	90.90	72.90	179.5	176.0	149.0

Notes:

1. For V-band (Hygienic) clamp connections, clamp connector will be welded to the valve body with butt-weld end. Internal finish will be provided as per customer's request.
2. Dimensions and tolerances for end connection and face-to-face length are as per ASME BPE.
3. All other dimensions are approximate and subject to change without prior notice.
4. Dimensions for valves with stainless steel bonnet and polyamide handle will be provided on request.

Ordering Chart

ORDER IDENTIFICATION NUMBER



Note:

- 1 – EN ISO 1127/ISO 4200 offers standards for butt-weld end connections only.
- 2 – Combination of polyamide bonnet and steel handle (LE20XXXXPCXXX) is not available.
- 3 – 'CE'-marking is applicable for valves with connection sizes 1½", 2", 2½" and 3" only.
- 4 – Valves with end connection sizes according to EN ISO 1127/ISO 4200 and BS 4825 are available on request.

In case of special application conditions, please e-mail at: rnd@leistung.in
 The technical specifications are subject to change without notice.