

User Point Diaphragm Valve, Forged stainless steel body, pneumatically operated

- Very useful at sampling / injection points on high purity systems
- Compact construction
- Hermetical separation of fluids from the operating mechanism by diaphragm
- Fully machined from SS 316L bar-stock – no welded components
- Zero dead leg
- Self-draining operation
- Fully Autoclavable
- Various internal surface finish available each with less than 0.40 Ra



Series 35 pneumatically operated diaphragm valve has a flow-optimized stainless steel body, a diaphragm, and actuator. The stainless steel body is available with various surface finish.

The diaphragm is both a switch as well as a sealing element for the media. It is easily replaceable.

An actuator is provided for the protection of diaphragm and for opening and closing actuation of upright connection of valve.

This valve is designed for zero dead leg and can be mounted to be self-draining. This allows high flow capacity and variety of applications.

Technical Data

Connection Size	1/2" - 3"	
Rated Air Pressure	6 Bar(g)	
MOC – Wetted (Contact)	Stainless Steel 316L	
MOC – Non-wetted (Non- contact)	Polyamide or ASTM A351 CF8 (SS 304)	
Seal material	EPDM, PTFE	
Media	Neutral gases and liquids, high purity, sterile, aggressive or abrasive fluids	
Viscosity	Up to viscous	
Surface finish	Mechanical or Electro Polish	
Media temperature	EPDM	-10°C to +75 °C
	PTFE	-10°C to +90 °C
Ambient temperature	Up to +90 °C	
Sterilization temperature	EPDM	Briefly up to +130 °C
	PTFE	Briefly up to +150 °C
End connections	ASME BPE • V-band (Hygienic) Clamp • Butt-Weld - EN ISO 1127/ISO 4200 and BS 4825 are available on request	
Installation	As required, preferably with handle in upright position	
Installation for self-draining mounting	Tilted 10° to 35° to the horizontal and inclined 3° to 5° to the direction of flow	

User point diaphragm valve, forged stainless steel body, pneumatically operated

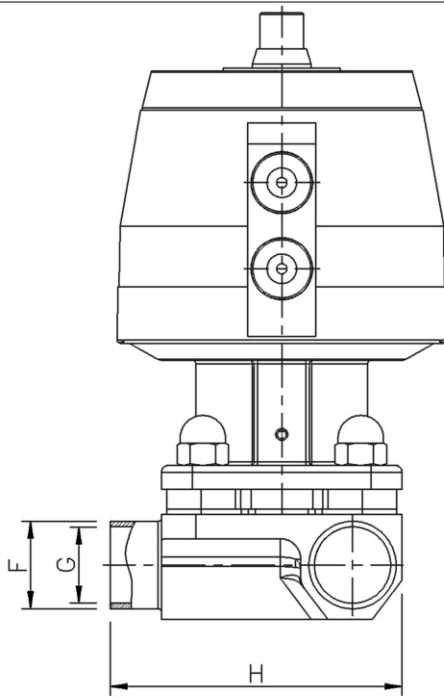


Figure 351

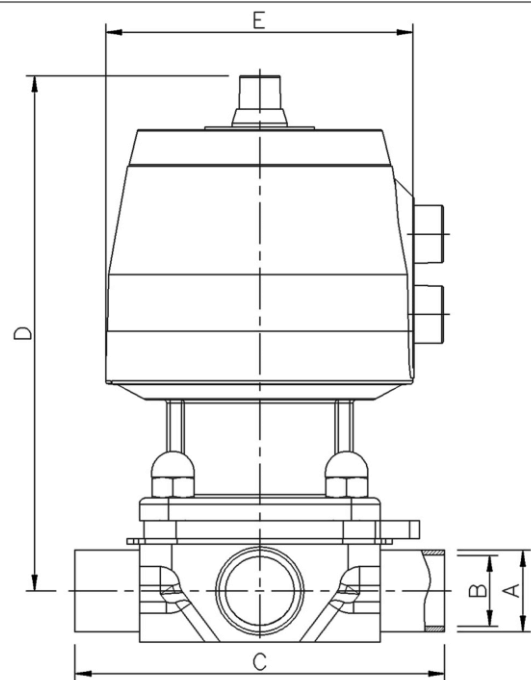


Figure 352

Dimensions for end connections according to ASME BPE connection type

Body with Butt-weld End (Refer Figure 351 & 352)

Main Conn. Size	Main Pipe OD	Main Pipe ID	Face to Face Length	Max. Valve Height from Pipe Center	Outside Diameter of Actuator	Upright Conn. Size	Upright Pipe OD	Upright Pipe ID	Valve Width
	A	B	C	D	E		F	G	H
	(mm)	(mm)	(mm)	(mm)	(mm)		(mm)	(mm)	(mm)
1/2"	12.70	9.40	88.0	115.1	68.0	1/2"	12.70	9.40	65.0
3/4"	19.05	15.75	88.0	117.7	68.0	1/2"	12.70	9.40	65.0
3/4"	19.05	15.75	88.0	117.7	68.0	3/4"	19.05	15.75	65.0
1"	25.40	22.10	88.0	124.1	68.0	1/2"	12.70	9.40	70.6
1"	25.40	22.10	88.0	124.1	68.0	3/4"	19.05	15.75	70.6
1"	25.40	22.10	113.0	161.4	96.0	1"	25.40	22.10	89.0
1 1/2"	38.10	34.80	88.0	130.8	68.0	1/2"	12.70	9.40	76.5
1 1/2"	38.10	34.80	88.0	130.8	68.0	3/4"	19.05	15.75	83.3
1 1/2"	38.10	34.80	113.0	170.7	96.0	1"	25.40	22.10	99.2
1 1/2"	38.10	34.80	134.9	237.5	151.0	1 1/2"	38.10	34.80	111.9
2"	50.80	47.50	88.0	136.2	68.0	1/2"	12.70	9.40	94.4
2"	50.80	47.50	88.0	136.2	68.0	3/4"	19.05	15.75	96.6
2"	50.80	47.50	113.0	178.8	96.0	1"	25.40	22.10	108.0
2"	50.80	47.50	134.9	245.1	151.0	1 1/2"	38.10	34.80	121.0
2"	50.80	47.50	134.9	242.4	151.0	2"	50.80	47.50	121.0
2 1/2"	63.50	60.20	88.0	138.6	68.0	1/2"	12.70	9.40	105.3
2 1/2"	63.50	60.20	88.0	142.1	68.0	3/4"	19.05	15.75	105.3
2 1/2"	63.50	60.20	113.0	182.5	96.0	1"	25.40	22.10	122.0
2 1/2"	63.50	60.20	134.9	248.8	151.0	1 1/2"	38.10	34.80	134.5
2 1/2"	63.50	60.20	134.9	248.8	151.0	2"	50.80	47.50	134.5
2 1/2"	63.50	60.20	159.1	268.3	180.0	2 1/2"	63.50	60.20	146.2
3"	76.20	72.90	88.0	148.9	68.0	1/2"	12.70	9.40	100.8
3"	76.20	72.90	88.0	148.9	68.0	3/4"	19.05	15.75	105.3
3"	76.20	72.90	113.0	188.8	96.0	1"	25.40	22.10	134.9
3"	76.20	72.90	134.9	255.1	151.0	1 1/2"	38.10	34.80	147.3
3"	76.20	72.90	134.9	255.1	151.0	2"	50.80	47.50	147.3
3"	76.20	72.90	159.1	274.6	180.0	2 1/2"	63.50	60.20	158.9

User point diaphragm valve, forged stainless steel body, pneumatically operated

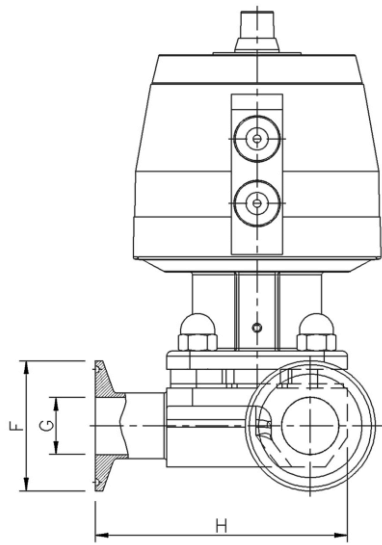


Figure 353

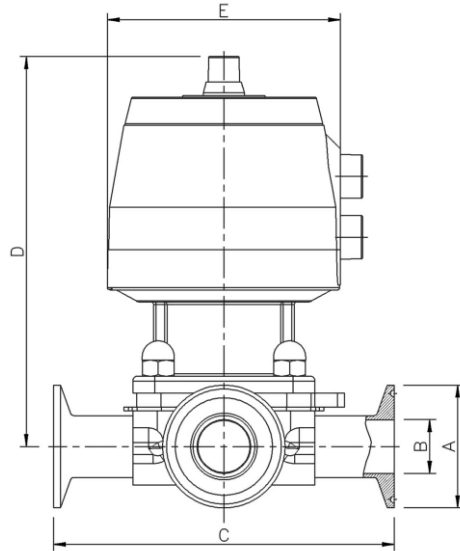


Figure 354

Dimensions for end connections according to ASME BPE connection type

Body with V-band (Hygienic) Clamp Connector (Refer Figure 353 & 354)

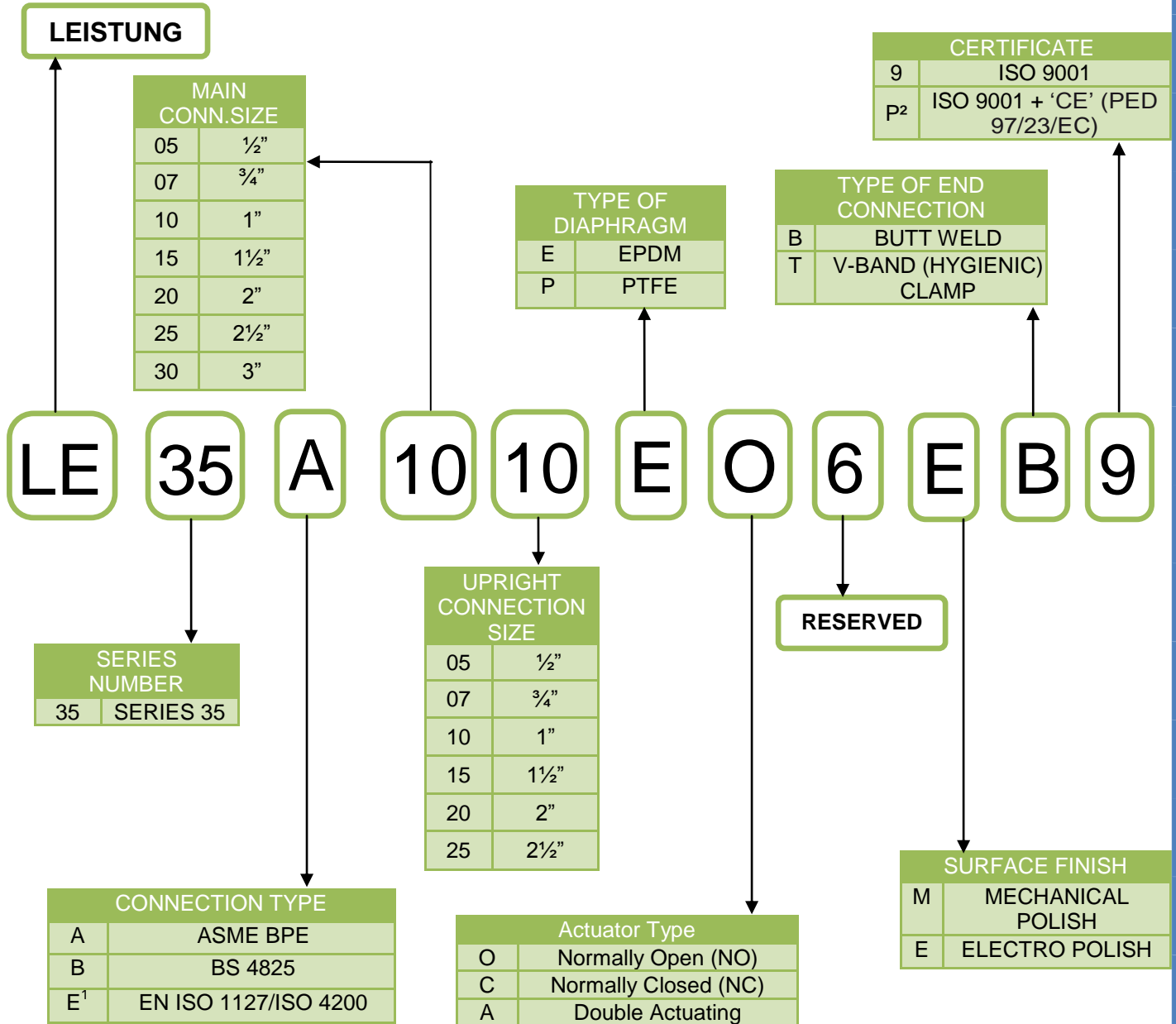
Main Conn. Size	Main Flange OD	Main Pipe ID	Face to Face Length	Max. Valve Height from Pipe Center	Outside Diameter of Actuator	Upright Conn. Size	Upright Flange OD	Upright Pipe ID	Valve Width
	A	B	C	D	E		F	G	H
	(mm)	(mm)	(mm)	(mm)	(mm)		(mm)	(mm)	(mm)
1/2"	25.00	9.40	113.4	115.1	68.0	1/2"	25.00	9.40	77.7
3/4"	25.00	15.75	113.4	117.7	68.0	1/2"	25.00	9.40	77.7
3/4"	25.00	15.75	113.4	117.7	68.0	3/4"	25.00	15.75	77.7
1"	50.40	22.10	113.4	124.1	68.0	1/2"	25.00	9.40	83.3
1"	50.40	22.10	113.4	124.1	68.0	3/4"	25.00	15.75	83.3
1"	50.40	22.10	138.4	161.4	96.0	1"	50.40	22.10	101.7
1 1/2"	50.40	34.80	113.4	130.8	68.0	1/2"	25.00	9.40	89.2
1 1/2"	50.40	34.80	113.4	130.8	68.0	3/4"	25.00	15.75	96.0
1 1/2"	50.40	34.80	138.4	170.7	96.0	1"	50.40	22.10	111.9
1 1/2"	50.40	34.80	160.3	237.5	151.0	1 1/2"	50.40	34.80	124.6
2"	63.90	47.50	113.4	136.2	68.0	1/2"	25.00	9.40	107.1
2"	63.90	47.50	113.4	136.2	68.0	3/4"	25.00	15.75	109.3
2"	63.90	47.50	138.4	178.8	96.0	1"	50.40	22.10	120.7
2"	63.90	47.50	160.3	245.1	151.0	1 1/2"	50.40	34.80	133.7
2"	63.90	47.50	160.3	242.4	151.0	2"	63.90	47.50	133.7
2 1/2"	77.40	60.20	113.4	138.6	68.0	1/2"	25.00	9.40	118.0
2 1/2"	77.40	60.20	113.4	142.1	68.0	3/4"	25.00	15.75	118.0
2 1/2"	77.40	60.20	138.4	182.5	96.0	1"	50.40	22.10	134.7
2 1/2"	77.40	60.20	160.3	248.8	151.0	1 1/2"	50.40	34.80	147.2
2 1/2"	77.40	60.20	160.3	248.8	151.0	2"	63.90	47.50	147.2
2 1/2"	77.40	60.20	184.5	268.3	180.0	2 1/2"	77.40	60.20	158.9
3"	90.90	72.90	113.4	148.9	68.0	1/2"	25.00	9.40	113.5
3"	90.90	72.90	113.4	148.9	68.0	3/4"	25.00	15.75	118.0
3"	90.90	72.90	138.4	188.8	96.0	1"	50.40	22.10	147.6
3"	90.90	72.90	160.3	255.1	151.0	1 1/2"	50.40	34.80	160.0
3"	90.90	72.90	160.3	255.1	151.0	2"	63.90	47.50	160.0
3"	90.90	72.90	184.5	274.6	180.0	2 1/2"	77.40	60.20	171.6

Notes:

1. For V-band (Hygienic) clamp connections, clamp connector will be welded to the valve body with butt-weld end. Internal finish will be provided as per customer request.
2. Dimensions and tolerances for end connection and face-to-face length are as per ASME BPE.
3. All other dimensions are approximate and subject to change without prior notice.

Ordering Chart

ORDER IDENTIFICATION NUMBER



Notes:

- 1 – EN ISO 1127/ISO 4200 offers standards for butt-weld end connections only.
- 2 – 'CE'-marking is applicable for valves with main connection sizes 1 1/2", 2", 2 1/2" and 3" only.
- 3 – Refer tables for available combination of end connections. Consult Leistung Engineering Pvt. Ltd. for further information.
- 4 – Valves with end connection sizes according to EN ISO 1127/ISO 4200 and BS 4825 are available on request.

In case of special application conditions, please e-mail at: rnd@leistung.in
 The technical specifications are subject to change without notice.