

Zero Dead Leg Valve

Cast stainless steel body, pneumatically operated

- Compact design with zero dead leg
- Top entry design
- Optimum security against microbial growth
- CIP/SIP capable and crevice free
- Zero dead leg and self-draining capabilities
- Fully Autoclavable
- Various internal surface finish available each with less than 0.40 Ra



Series 45 pneumatically operated Zero Dead Leg (ZDL) valve has a flow-optimized stainless steel body, a diaphragm, and actuator. The stainless steel body is available with various surface finish.

The diaphragm is both a switch as well as a sealing element for the media. It is easily replaceable.

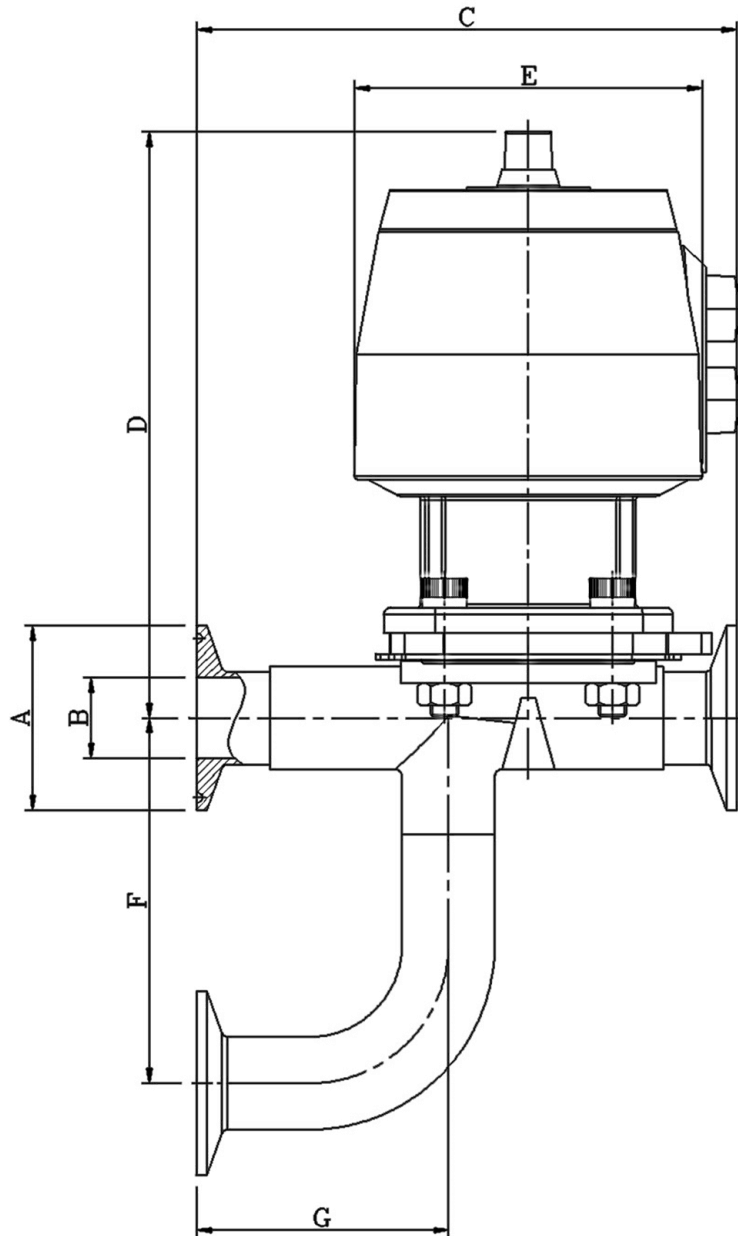
An actuator is provided for the protection of diaphragm and for opening and closing actuation of valve.

Two inlet ports allow media to continuously flow in the loop. Due to this special feature, dead legs are virtually eliminated at inlet port and when the valve is opened one can get clear uncontaminated media free from bacterial growth or other contaminants. The outlet valve can also be used as drain port during sterilization.

Technical Data

Connection Size	1", 1½", 2"	
Rated Air Pressure	6 Bar(g)	
MOC – Wetted (Contact)	ASTM A351 CF3M (SS 316L)	
MOC – Non-wetted (Non- contact)	Polyamide or ASTM A351 CF8 (SS 304)	
Seal material	EPDM, PTFE	
Media	Neutral gases and liquids, high purity, sterile, aggressive or abrasive fluids	
Viscosity	Up to viscous	
Surface finish	Mechanical or Electro Polish	
Media temperature	EPDM	-10°C to +75 °C
	PTFE	-10°C to +90 °C
Ambient temperature	Up to +90 °C	
Sterilization temperature	EPDM	Briefly up to +130 °C
	PTFE	Briefly up to +150 °C
End connections	ASME BPE • V-band (Hygienic) Clamp • Butt-Weld - EN ISO 1127/ISO 4200 and BS 4825 are available on request	
Installation	With both inlet ports in upright position	

Zero dead leg valve, cast stainless steel body, pneumatically operated



Dimensions for end connections according to ASME BPE connection type

Body with V-band (Hygienic) Clamp Connector							
Connection Size	Flange OD	Pipe ID	Face to Face Length	Max. Valve Height from Pipe Center	Outside Diameter of Actuator	Inlet Ports Center to Center	Loop Inlet Port Center to Face
	A	B	C	D	E	F	G
	(mm)	(mm)	(mm)	(mm)	(mm)	(mm)	(mm)
1"	50.40	22.10	148.0	162.2	96.0	100.0	69.0
1½"	50.40	34.80	182.0	235.4	151.0	100.0	82.6
2"	63.90	47.50	220.0	242.1	151.0	155.0	107.4

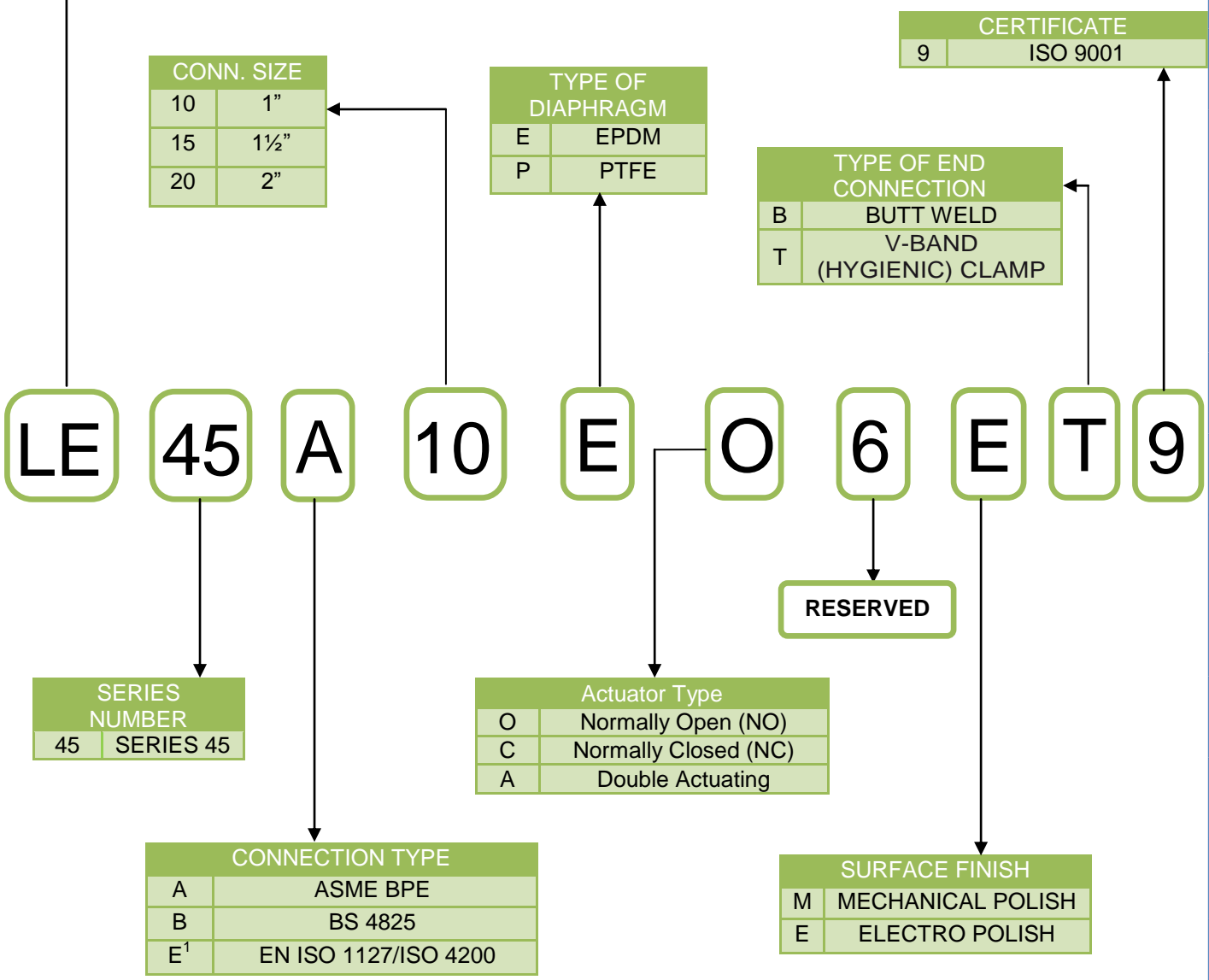
Notes:

1. Dimensions and tolerances for end connections and face-to-face length are as per ASME BPE.
2. All other dimensions are approximate and subject to change without prior notice.
3. Dimensions for valves with butt-weld end connections will be provided on request.

Ordering Chart

ORDER IDENTIFICATION NUMBER

LEISTUNG



Notes:

- 1 – EN ISO 1127/ISO 4200 offers standards for butt-weld end connections only.
- 2 – Valves with end connection sizes according to EN ISO 1127/ISO 4200 and BS 4825 are available on request.

In case of special application conditions, please e-mail at: rnd@leistung.in
 The technical specifications are subject to change without notice.