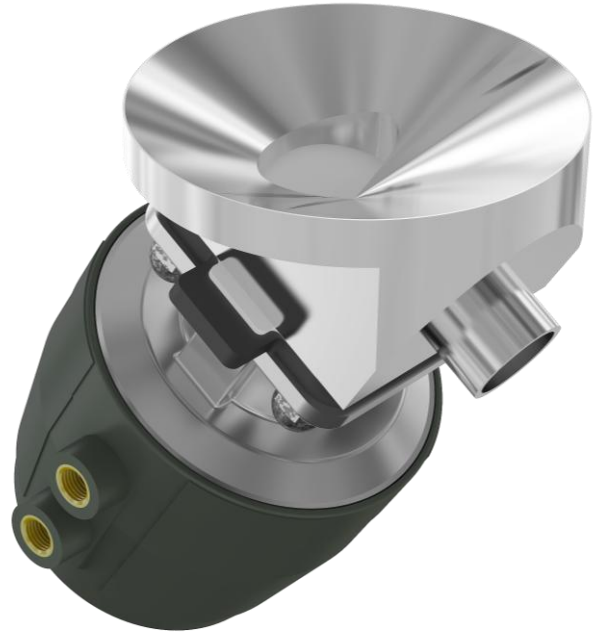


Tank Bottom Valve, Machined stainless steel body, Pneumatically operated

- Compact design for space restricted applications
- Simplified welding with provision of welding neck
- Optimized flow geometry
- Hermetical separation of fluids from the operating mechanism by diaphragm
- Fully machined from SS 316L bar-stock
- CIP/SIP capable and crevice free
- Zero dead leg and self-draining capabilities
- Fully Autoclavable
- Various internal surface finish available each with less than 0.40 Ra



Series 55 pneumatically operated tank bottom valve has a body with attached welding neck and an inlet ports, a diaphragm seal and actuator.

Tank bottom valves are normally used as outlet valves and are welded into the lowest point of the tank bottom enabling the tank to be self drained and cleaned or sterilized.

The most important design feature of the valve is that the weir is as close as possible to the internal contour of the tank. This enables the diaphragm seal to effectively become a continuation of the surface of the tank bottom with no dead leg.

The diaphragm is both a switch as well as a sealing element for the media. It is easily replaceable.

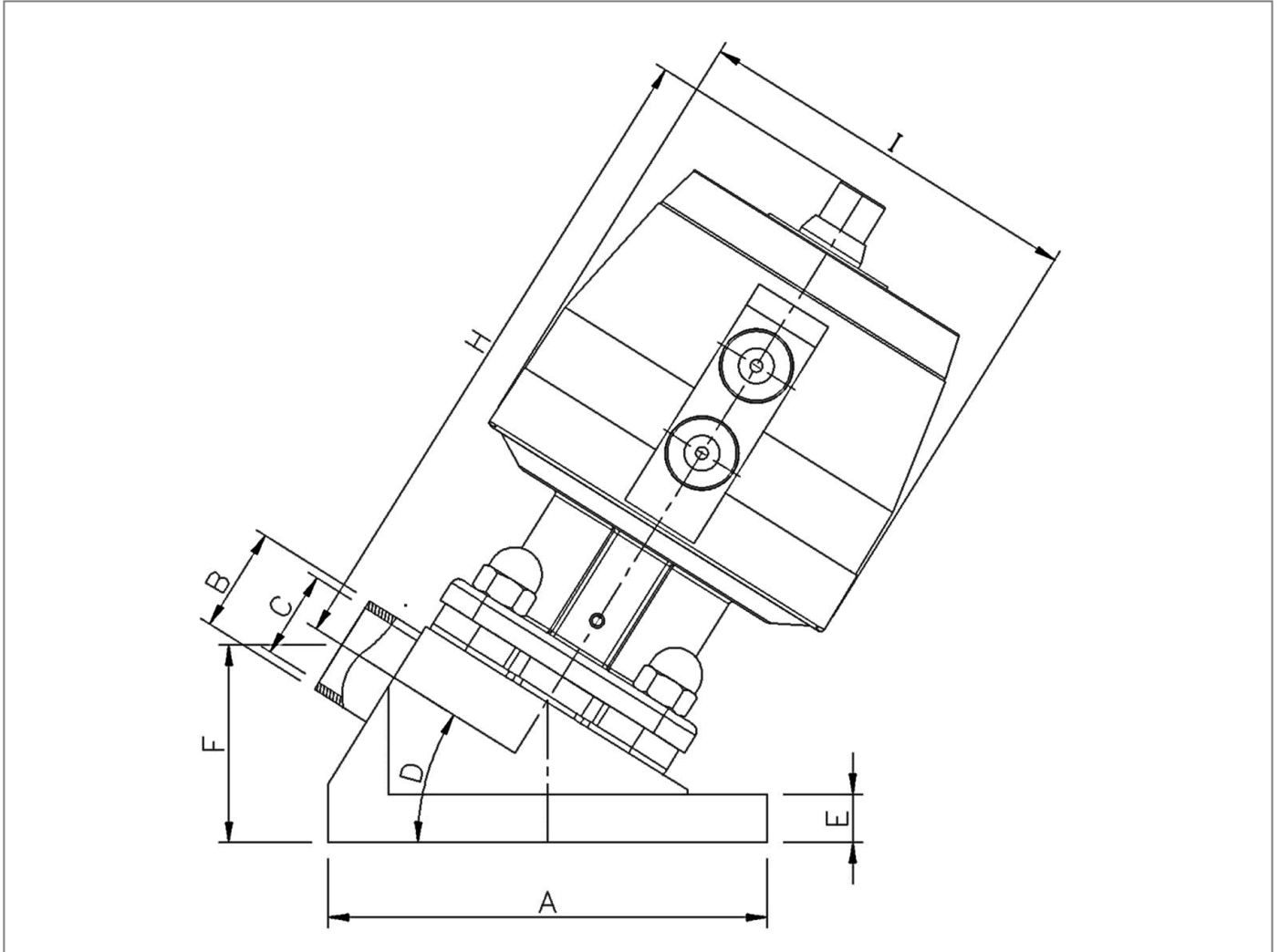
An actuator is provided for the protection of diaphragm and for opening and closing actuation of valve.

Modified versions of the tank bottom valves are designed for installation in the tank walls.

Technical Data

Connection Size	½" - 3"	
Rated Air Pressure	6 Bar(g)	
MOC – Wetted (Contact)	Stainless Steel 316L	
MOC – Non-wetted (Non- contact)	Polyamide or ASTM A351 CF8 (SS 304)	
Seal material	EPDM, PTFE	
Media	Neutral gases and liquids, high purity, sterile, aggressive or abrasive fluids	
Viscosity	Up to viscous	
Surface finish	Mechanical or Electro Polish	
Media temperature	EPDM	-10°C to +75 °C
	PTFE	-10°C to +90 °C
Ambient temperature	Up to +90 °C	
Sterilization temperature	EPDM	Briefly up to +130 °C
	PTFE	Briefly up to +150 °C
End connections	ASME BPE • Butt-Weld • V-band (Hygienic) Clamp	
Installation	As per design requirement	

Tank bottom valve, stainless steel body machined from bar-stock, pneumatically operated



Dimensions for end connections according to ASME BPE connection type

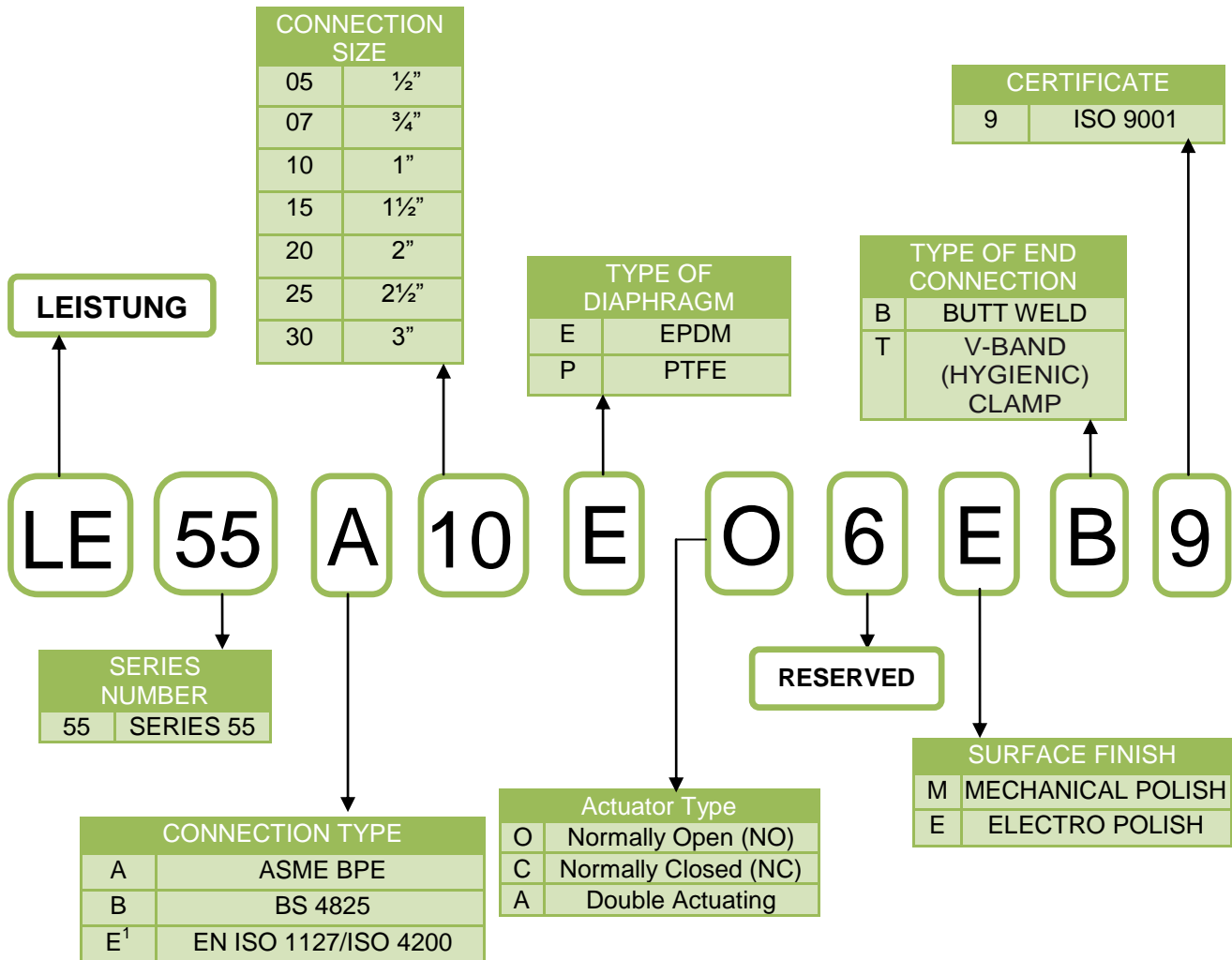
Body with Butt-weld End									
Conn. Size	Body OD	Pipe OD	Pipe ID	Port Angle from Body Face	Thickness of Body Welding Neck	Port Center to Body Face Distance		Max. Valve Length from Port Center	Outside Diameter of Actuator
	A	B	C	D	E	Vertical	Horizontal		
	(mm)	(mm)	(mm)	(°)	(mm)	F	G		
1/2"	65.0	12.70	9.40	32	7.0	34.3	36.60	114.6	68.0
3/4"	65.0	19.05	15.75	32	7.0	31.7	38.30	117.7	68.0
1"	107.0	25.40	22.10	32	11.8	48.0	50.10	161.4	96.0
1 1/2"	140.0	38.10	34.80	35	16.0	69.0	62.80	234.3	151.0
2"	140.0	50.80	47.50	35	16.0	63.4	66.74	241.1	151.0
2 1/2"	174.5	63.50	60.20	35	20.0	72.1	80.30	267.7	180.0
3"	188.6	76.20	72.90	35	20.0	67.2	83.70	273.7	180.0

Notes:

1. Dimensions and tolerances for end connections and face-to-face length are as per ASME BPE.
2. All other dimensions are approximate and subject to change without prior notice.
3. Dimensions for valves with v-band (hygienic) clamp connections will be provided on request.

Ordering Chart

ORDER IDENTIFICATION NUMBER



- Notes:
- 1 – EN ISO 1127/ISO 4200 offers standards for butt-weld end connections only.
 - 2 – For V-band (Hygienic) clamp connections, clamp connector will be welded to the valve body with butt-weld end. Internal finish will be provided as per customer request.
 - 3 – Valves with end connection sizes according to EN ISO 1127/ISO 4200 and BS 4825 are available on request.

In case of special application conditions, please e-mail at: rnd@leistung.in
 The technical specifications are subject to change without notice.