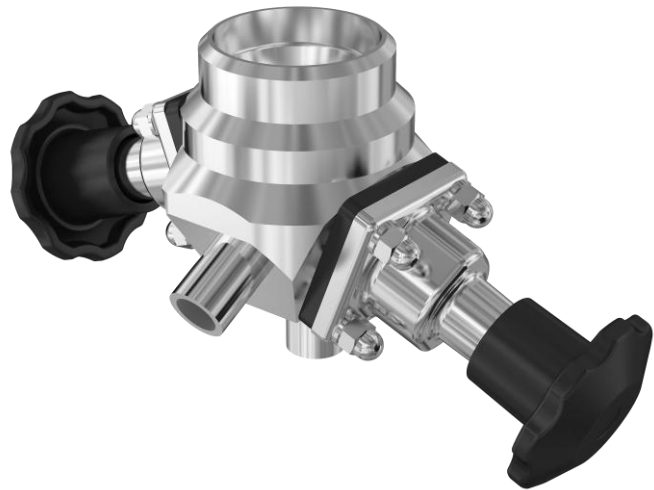


## Flush Mounted Sampling Valve, Machined stainless steel body, manually operated

- Integrated CIP/SIP port
- Integrated port can be used as a filling inlet by capping off the outlet for keeping the valve filled with sterilizing solution when not used for sampling
- Polyamide handle available to avoid thermal hazard
- Zero dead leg
- Self-draining operation
- Fully autoclavable
- Various internal surface finish available each with less than 0.40 Ra



Series 60 manually operated flush-mounted sampling valves has a flow-optimized stainless steel body, two diaphragms with internal mechanism and manual handles.

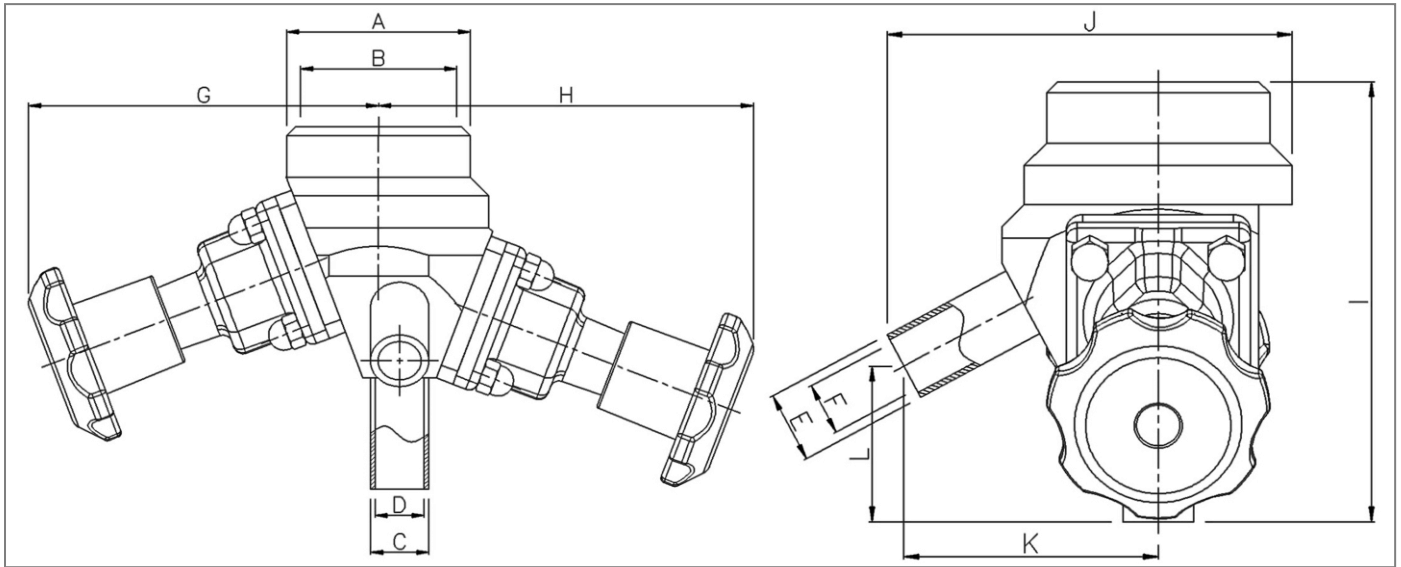
Option of polyamide handle is available to allow hazard-free handling of valve when processing hot media. The stainless steel body is available with various surface finishes.

The sampling valve has normally two outlet ports that are used for sterilization and sampling while the inlet port is flush mounted to the tank bottom. The downward outlet port is used to collect samples by opening the upper valve. When the sampling is completed, this valve is closed. The side port is integrated CIP/SIP port. This port is normally close at all time and used for the CIP/SIP process only by opening the lower valve.

### Technical Data

<b>Connection Size</b>	1/2"	
<b>MOC – Wetted (Contact)</b>	Stainless steel 316L	
<b>MOC – Non-wetted (Non- contact)</b>	Stainless steel 304 with polyamide Handle	
<b>Seal material</b>	EPDM, PTFE	
<b>Media</b>	Neutral gases and liquids, high purity, sterile, aggressive or abrasive fluids	
<b>Viscosity</b>	Up to viscous	
<b>Surface finish</b>	Mechanical or Electro Polish	
<b>Media temperature</b>	EPDM	-10°C to +75 °C
	PTFE	-10°C to +90 °C
<b>Ambient temperature</b>	Up to +90 °C	
<b>Sterilization temperature</b>	EPDM	Briefly up to +130 °C
	PTFE	Briefly up to +150 °C
<b>End connections</b> • Butt-Weld	ASME BPE - BS 4825 available on request	
<b>Installation</b>	As required, preferably at bottom-most portion of tank	

Flush mounted sampling valve, machined stainless steel body, manually operated



Dimensions for end connections according to ASME BPE

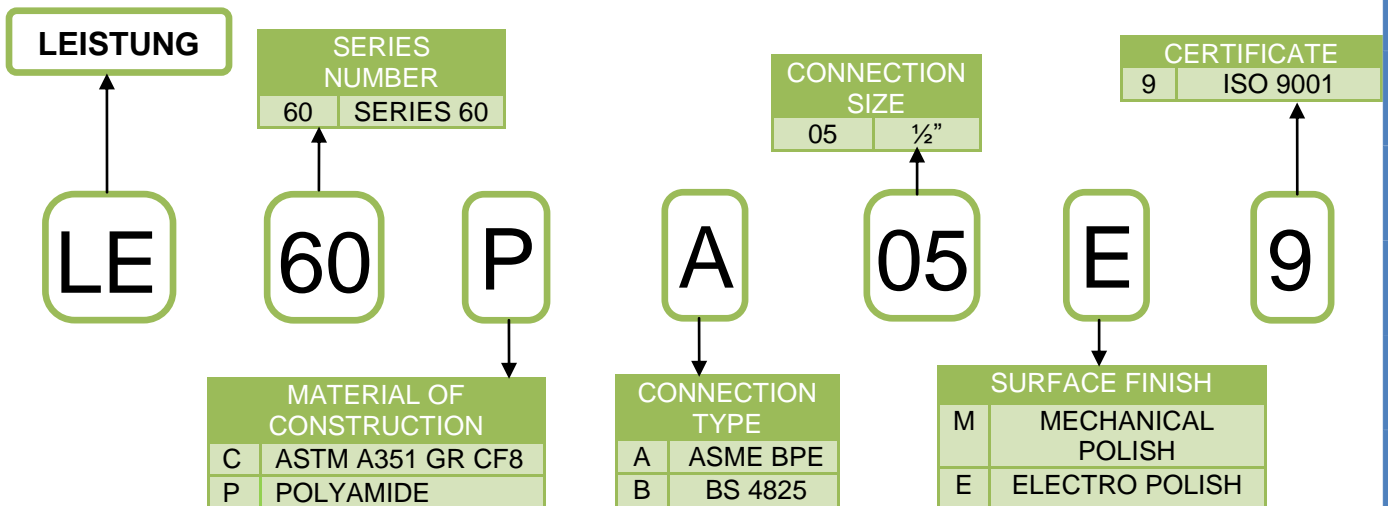
Conn. Size	Inlet port OD	Inlet port ID	Sampling Port OD	Sampling Port ID	CIP / SIP Port OD	CIP / SIP Port ID	Max. Height of Sampling From Center	Max. Height of CIP/SIP From Center	Valve Height	Valve Width	Sampling to CIP/SIP	
	A	B	C	D	E	F	G	H	I	J	K	L
	(mm)	(mm)	(mm)	(mm)	(mm)	(mm)	(mm)	(mm)	(mm)	(mm)	(mm)	(mm)
1/2"	40.0	34.0	12.7	9.4	12.7	9.4	76.1	81.5	78.7	72.6	45.6	27.9

Notes:

1. Dimensions and tolerances for end connections and face-to-face length are as per ASME BPE.
2. All other dimensions are approximate and subject to change without prior notice.

Ordering Chart

**ORDER IDENTIFICATION NUMBER**



Note: Valves with end connection sizes according to BS 4825 will be available on request.

In case of special application conditions, please e-mail at: [rnd@leistung.in](mailto:rnd@leistung.in)  
The technical specifications are subject to change without notice.