

## Side Sampling Valve, Machined stainless steel body, manually operated

- Unique design eliminates dead spaces
- Mid-stream sample collection
- Designed for production line sampling
- Fully machined from SS 316L
- CIP capable and crevice free
- Self-draining operation
- Fully Autoclavable
- Various internal surface finish available



Series 90 manually operated sampling valve has a flow-optimized stainless steel body, a diaphragm with internal mechanism, an 'O'-ring and a thimble. The stainless steel body is available with various surface finish.

Side sampling valve has a stem that can be inserted into the clamp adapter attached with the flow line to allow the fluid inside it. This stem is designed for zero dead leg. The fluid (media) will pass through the valve to outlet hose connector on opening of valve.

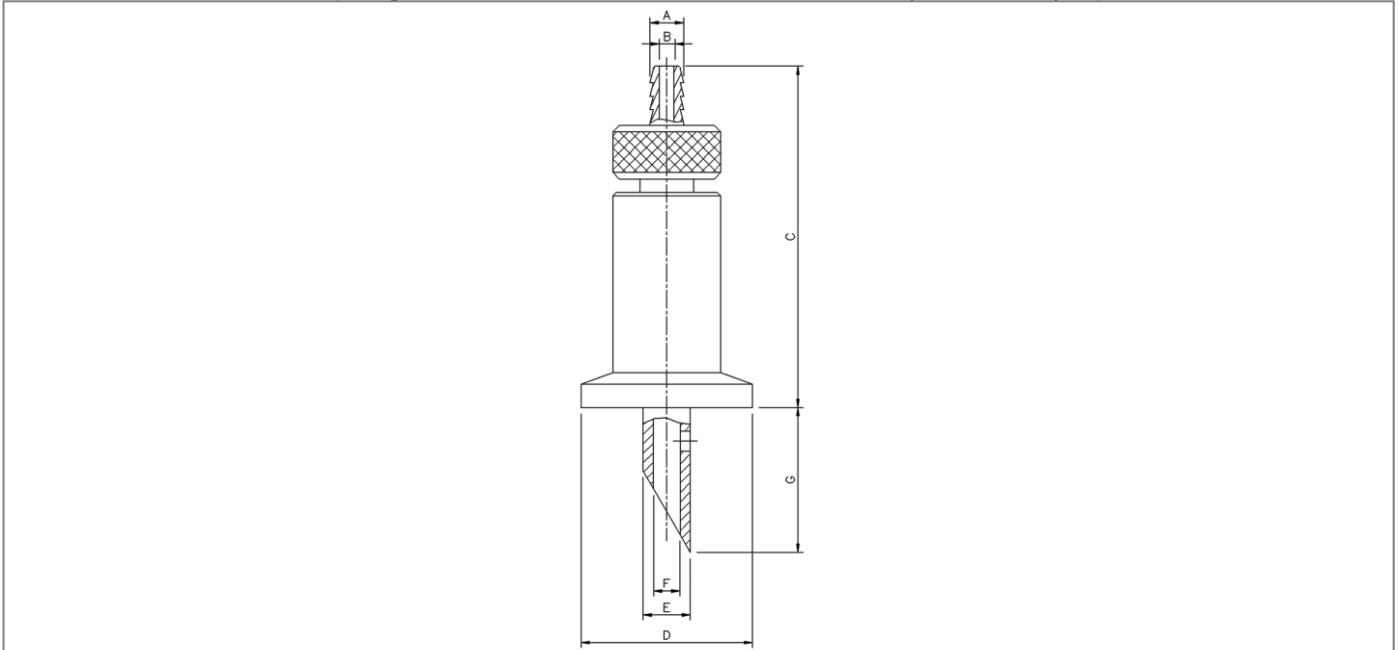
The diaphragm is both a switch as well as a sealing element for the media. It is easily replaceable. An O-ring is also provided for the purpose of backup sealing.

Flow can be passed by rotating the thimble provided at the end of the valve. It is attached to the internal mechanism at one side and outlet hose connector at the other side.

### Technical Data

<b>Connection Size</b>	½", 1"
<b>MOC</b>	Stainless steel 316L
<b>Seal material</b>	PTFE
<b>'O' Ring material</b>	FKM / FPM (fluoroelastomer)
<b>Media</b>	Neutral liquids, high purity, sterile, aggressive or abrasive fluids
<b>Viscosity</b>	Up to viscous
<b>Surface finish</b>	Mechanical or Electro Polish
<b>Media temperature</b>	-10°C to +90 °C
<b>Ambient temperature</b>	Up to +90 °C
<b>Sterilization temperature</b>	Briefly up to +150 °C
<b>End connections</b> • V-band (Hygienic) Clamp	ASME BPE - EN ISO 1127/ISO 4200 and BS 4825 are available on request
<b>Installation</b>	As required For horizontal installation, stem hole shall be at lowest position

Side sampling valve, machined stainless steel body, manually operated

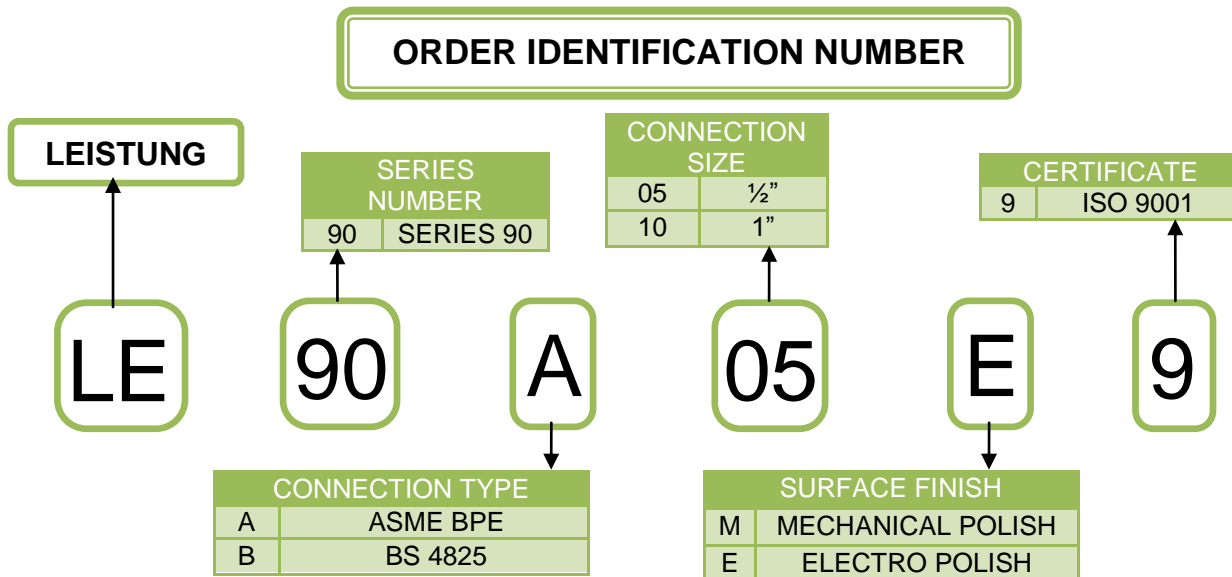


Dimensions for end connections according to ASME BPE connection type

Conn. Size	Hose Conn. OD	Hose Conn. ID	Max. Face to Face Distance	Flange OD of Clamp Adapter	Stem Pipe OD	Stem Pipe ID	Total Height of Stem
	A	B	C	D	E	F	G
	(mm)	(mm)	(mm)	(mm)	(mm)	(mm)	(mm)
1/2"	5.0	2.2	54.0	25.0	7.0	4.0	21.5
1"	5.0	2.2	54.0	50.4	7.0	4.0	21.5

Notes: 1. Dimensions and Tolerances for end connections according to ASME BPE.  
 2. All other dimensions are approximate and subject to change without prior notice.

**Ordering Chart**



Note: Valves with end connection sizes according to BS 4825 are available on request.

In case of special application conditions, please e-mail at: [rnd@leistung.in](mailto:rnd@leistung.in)  
 The technical specifications are subject to change without notice.