

Nozzle for Bio-process Equipments, Machined stainless steel body

- Excellent aseptic design
- Fully machined from SS 316L
- Unique screwed fittings
- Various internal surface finish available



Series BN Leistung BPE nozzle has a stainless steel body with tank interface surface, a gasket, a hygienic adapter and screwed fitting for adapter attachment.

BPE nozzle is designed to be used as an aseptic connection to tank or vessel.

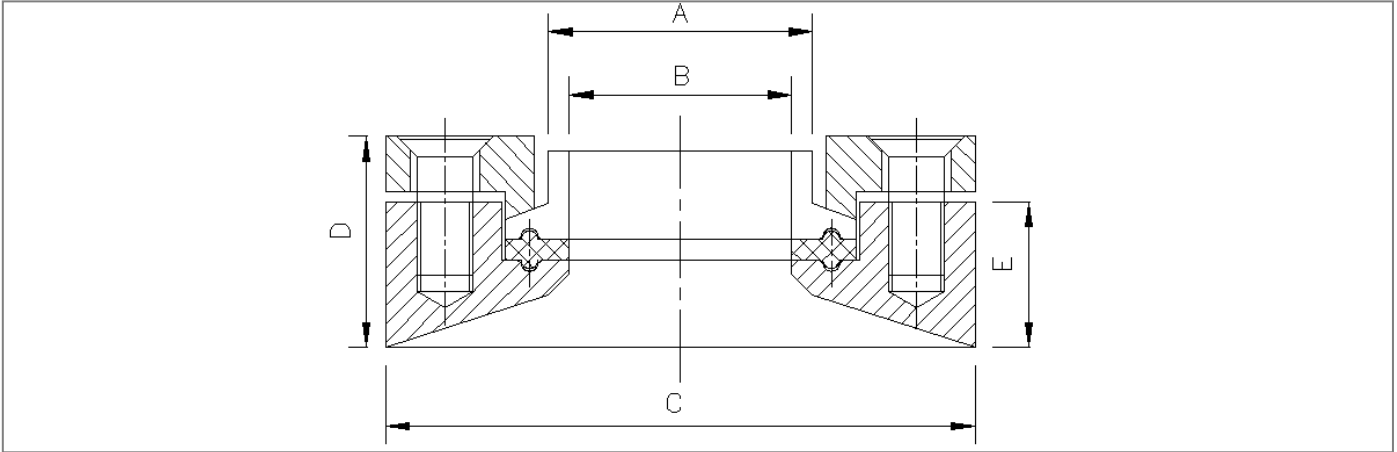
Nozzle can be directly welded to the tank at the tank interface surface.

Hygienic adapter is provided to connect with the flow-line. It is available in various end connections sizes and can be butt-welded directly to the tube.

The gasket seal is provided to ensure completely safe and hygienic sealing of nozzle fittings.

Technical Data	
Connection Size	½" - 4"
MOC – Wetted (Contact)	Stainless Steel 316L
MOC – Non-wetted (Non- contact)	Stainless Steel 304
Seal material	PTFE / Silicon
Media	Bio-pharmaceutical Products, High Purity Chemicals
Viscosity	Up to viscous
Surface finish	Blasted, Mechanical or Electro Polish
Media temperature	-10°C to +90 °C
Ambient temperature	Up to +90 °C
End connections <ul style="list-style-type: none"> • Butt-weld 	ASME BPE - EN ISO 1127/ISO 4200 and BS 4825 are available on request
Installation	As required

Nozzle for bio-process equipments, machined stainless steel body



Dimensions for end connections according to ASME BPE connection type

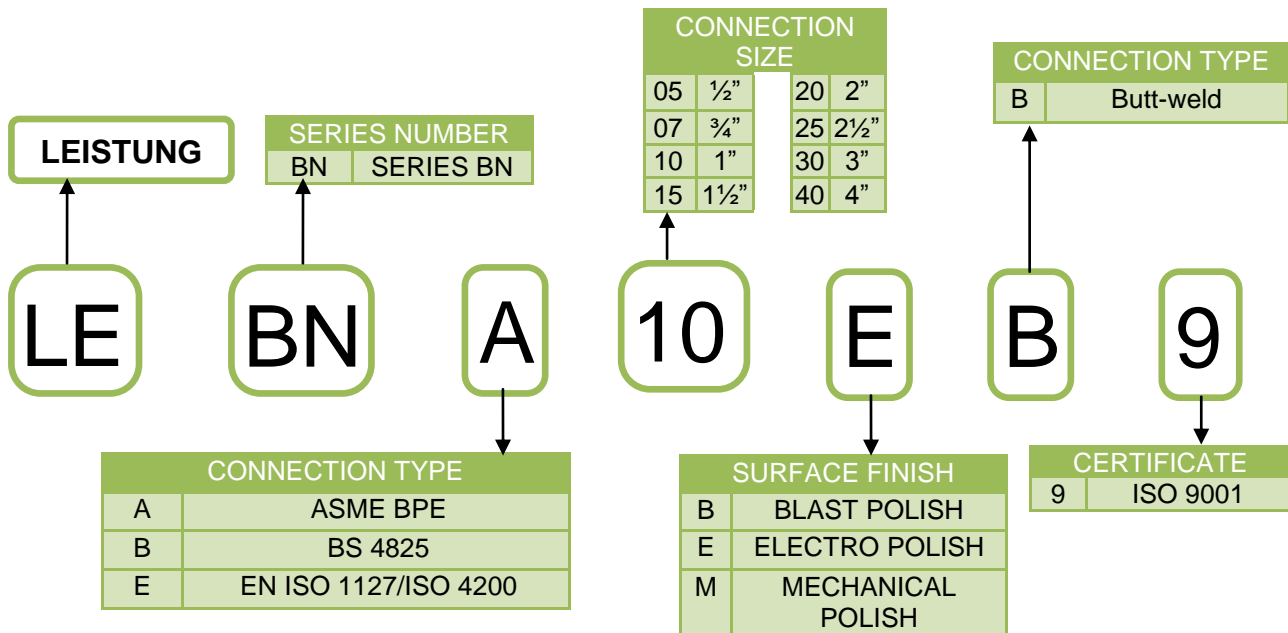
Conn. Size	Pipe OD	Pipe ID	Nozzle OD	Assembly Height	Nozzle Height
	A	B	C	D	E
	(mm)	(mm)	(mm)	(mm)	(mm)
1/2"	12.70	9.40	63	30.5	21
3/4"	19.05	15.75	88	30.5	21
1"	25.40	22.10	88	30.5	21
1 1/2"	38.10	34.80	88	30.5	21

Conn. Size	Pipe OD	Pipe ID	Nozzle OD	Assembly Height	Nozzle Height
	A	B	C	D	E
	(mm)	(mm)	(mm)	(mm)	(mm)
2"	50.80	47.50	105	30.5	21
2 1/2"	63.50	60.20	117	30.5	21
3"	76.20	72.90	145	34.5	25
4"	101.60	97.40	170	34.5	25

Note: Dimensions and Tolerances for end connections according to ASME BPE

Ordering Chart

ORDER IDENTIFICATION NUMBER



Note: BPE nozzle with end connection sizes according to EN ISO 1127/ISO 4200 and BS 4825 are available on request.

In case of special application conditions, please e-mail at: rnd@leistung.in
The technical specifications are subject to change without notice.