

Zero Dead Leg Valve

Cast stainless steel body, manually operated

- Compact design with zero dead leg
- Top entry design
- Optimum security against microbial growth
- CIP/SIP capable and crevice free
- Zero dead leg and self-draining capabilities
- Fully Autoclavable
- Various internal surface finish available each with less than 0.40 Ra



Series 40 manually operated Zero Dead Leg (ZDL) valve has a flow-optimized stainless steel body, a diaphragm, a bonnet and manual handle. The stainless steel body is available with various surface finish.

The diaphragm is both a switch as well as a sealing element for the media. It is easily replaceable.

A bonnet is provided for the protection of diaphragm and handle-mechanism.

Flow can be continually adjusted with proper positioning of the handle. Position indicator is provided at top of the handle.

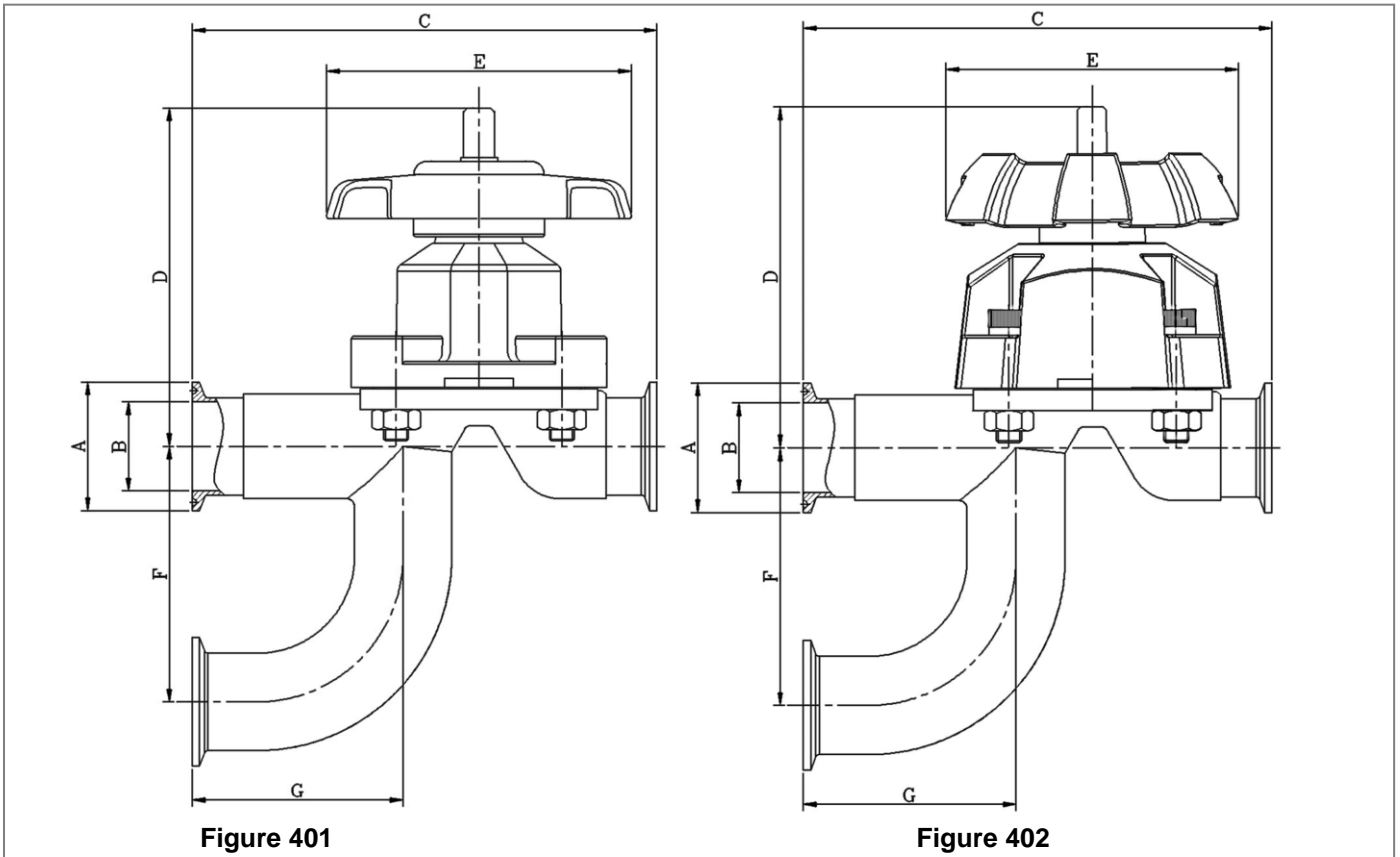
Two inlet ports allow media to continuously flow in the loop. Due to this special feature, dead legs are virtually eliminated at inlet port and when the valve is opened one can get clear uncontaminated media free from bacterial growth or other contaminants. The outlet valve can also be used as drain port during sterilization.

Technical Data

Connection Size	1", 1½", 2"	
MOC – Wetted (Contact)	ASTM A351 CF3M (SS 316L)	
MOC – Non-wetted (Non- contact)	Polyamide or ASTM A351 CF8 (SS 304)	
Seal material	EPDM, PTFE	
Media	Neutral gases and liquids, high purity, sterile, aggressive or abrasive fluids	
Viscosity	Up to viscous	
Surface finish	Mechanical or Electro Polish	
Media temperature	EPDM	-10°C to +75 °C
	PTFE	-10°C to +90 °C
Ambient temperature	Up to +90 °C	
Sterilization temperature	EPDM	Briefly up to +130 °C
	PTFE	Briefly up to +150 °C
End connections	ASME BPE	
<ul style="list-style-type: none"> • V-band (Hygienic) Clamp • Butt-Weld 	- EN ISO 1127/ISO 4200 and BS 4825 are available on request	
Installation	With both inlet ports in upright position	
Options	Locking function available with polyamide bonnet	

Zero dead leg valve, cast stainless steel body, manually operated

Body with V-band (Hygienic) Clamp Connector



Dimensions for end connections according to ASME BPE connection type

Bonnet and Handle - Stainless Steel (Refer Figure 401)							
Connection Size	Flange OD	Pipe ID	Face to Face Length	Max. Valve Height from Pipe Center	Outside Diameter of Handle	Inlet Ports Center to Center	Loop Inlet Port Center to Face
	A	B	C	D	E	F	G
	(mm)	(mm)	(mm)	(mm)	(mm)	(mm)	(mm)
1"	50.40	22.10	148.0	104.3	91.0	100.0	69.0
1½"	50.40	34.80	182.0	138.8	109.5	100.0	82.6
2"	63.90	47.50	220.0	145.5	109.5	155.0	107.4

Bonnet and Handle - Polyamide (Refer Figure 402)							
Connection Size	Flange OD	Pipe ID	Face to Face Length	Max. Valve Height from Pipe Center	Outside Diameter of Handle	Inlet Ports Center to Center	Loop Inlet Port Center to Face
	A	B	C	D	E	F	G
	(mm)	(mm)	(mm)	(mm)	(mm)	(mm)	(mm)
1"	50.40	22.10	148.0	111.6	93.0	100.0	69.0
1½"	50.40	34.80	182.0	131.2	116.5	100.0	82.6
2"	63.90	47.50	220.0	137.9	116.5	155.0	107.4

- Notes:
1. Dimensions and tolerances for end connections and face-to-face length are as per ASME BPE.
 2. All other dimensions are approximate and subject to change without prior notice.
 3. Dimensions for valves with stainless steel bonnet and polyamide handle will be provided on request.
 4. Dimensions for valves with butt-weld end connections will be provided on request.

Ordering Chart

ORDER IDENTIFICATION NUMBER

LEISTUNG

CERTIFICATE	
9	ISO 9001

CONN. SIZE	
10	1"
15	1½"
20	2"

TYPE OF DIAPHRAGM	
E	EPDM
P	PTFE

TYPE OF END CONNECTION	
B	BUTT WELD
T	V-BAND (HYGIENIC) CLAMP

LE 40 A 10 E P P E T 9

SERIES NUMBER	
40	SERIES 40

BONNET²

HANDLE²

MATERIAL OF CONSTRUCTION	
C	ASTM A351 GR CF8
P	POLYAMIDE

CONNECTION TYPE	
A	ASME BPE
B	BS 4825
E ¹	EN ISO 1127/ISO 4200

SURFACE FINISH	
M	MECHANICAL POLISH
E	ELECTRO POLISH

Notes:

- 1 – EN ISO 1127/ISO 4200 offers standards for butt-weld end connections only.
- 2 – Combination of polyamide bonnet and steel handle (LE40XXXXPCXXX) is not available.
- 3 – Valves with end connection sizes according to EN ISO 1127/ISO 4200 and BS 4825 are available on request.

In case of special application conditions, please e-mail at: rnd@leistung.in
 The technical specifications are subject to change without notice.