

CRYOGENIC GLOBE VALVE (Shut-off Valve)

Forged Brass body, Manually Operated

Application:

The cryogenic globe valves are designed for use on portable cryogenic cylinders and other in-line shut-off valve applications.



Features:

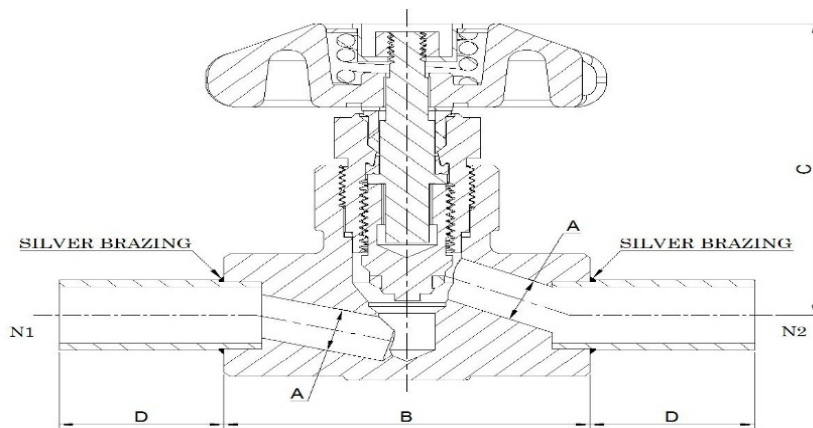
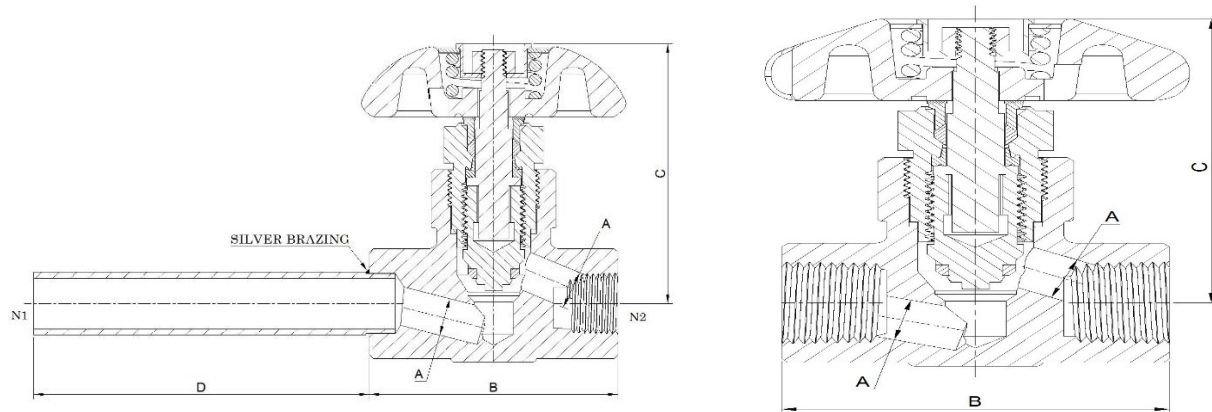
- ❖ To avoid constant retightening of packing nut, the valve has spring loaded stem seal automatically adjusted for any gasket wear
- ❖ Low profile allows the valve to fit into tight areas
- ❖ Avoids freezing up at the cryogenic temperature
- ❖ Conical swivel seal design helps prevent seal galling from overtorquing
- ❖ All valves are cleaned for liquid oxygen service per CGA G-4.1
- ❖ 100 % leak tested as per EN1626

Technical:

- ❖ Designed and manufactured in accordance with ASTM B31.1, EN 1626 & BS ISO 21011
- ❖ Full material traceability backed by BS EN 10204 3.1 certification
- ❖ Approved for TPED (2010/35/EU) in accordance with EN 1626

Technical Data:

Connection Size	1/4 " , 3/8 " , 1/2 " NPT(F) Inlet/Outlet connections
Connection Size (With Stainless Steel stub at Inlet)	Inlet 0.675" O.D. tube with 1 1/8", 2 1/8" & 3 3/8" length & Outlet 3/8" NPT(F)
Connection Size (With Stainless Steel stub at Inlet & Outlet)	0.675" O.D. tube with 1 1/8", 2 1/8" & 3 3/8" length at Inlet & Outlet
Media	LIN,LAR & LOX
Working Pressure	600 PSIG (41.3 Bar)
Operating Temperature	-320°F TO +149°F (-196°C TO +65°C)
Installation	With handle in upright position
Options	Available in extended stem of length 4" & 6.5"
Body	Forged Brass (BS EN 12614 CW617N)
Bonnet	Brass(BS EN 12614 CW721R)
Seat Disc	PCTFE
Stem seal gasket	PTFE
Hand wheel	Aluminium-LM4 (Color : Green/Blue/Grey)
Spring	Stainless Steel (SS 302)
Upper Stem	Brass (BS EN 12614 CW721R)
Lower Stem	Brass (BS EN 12614 CW721R)

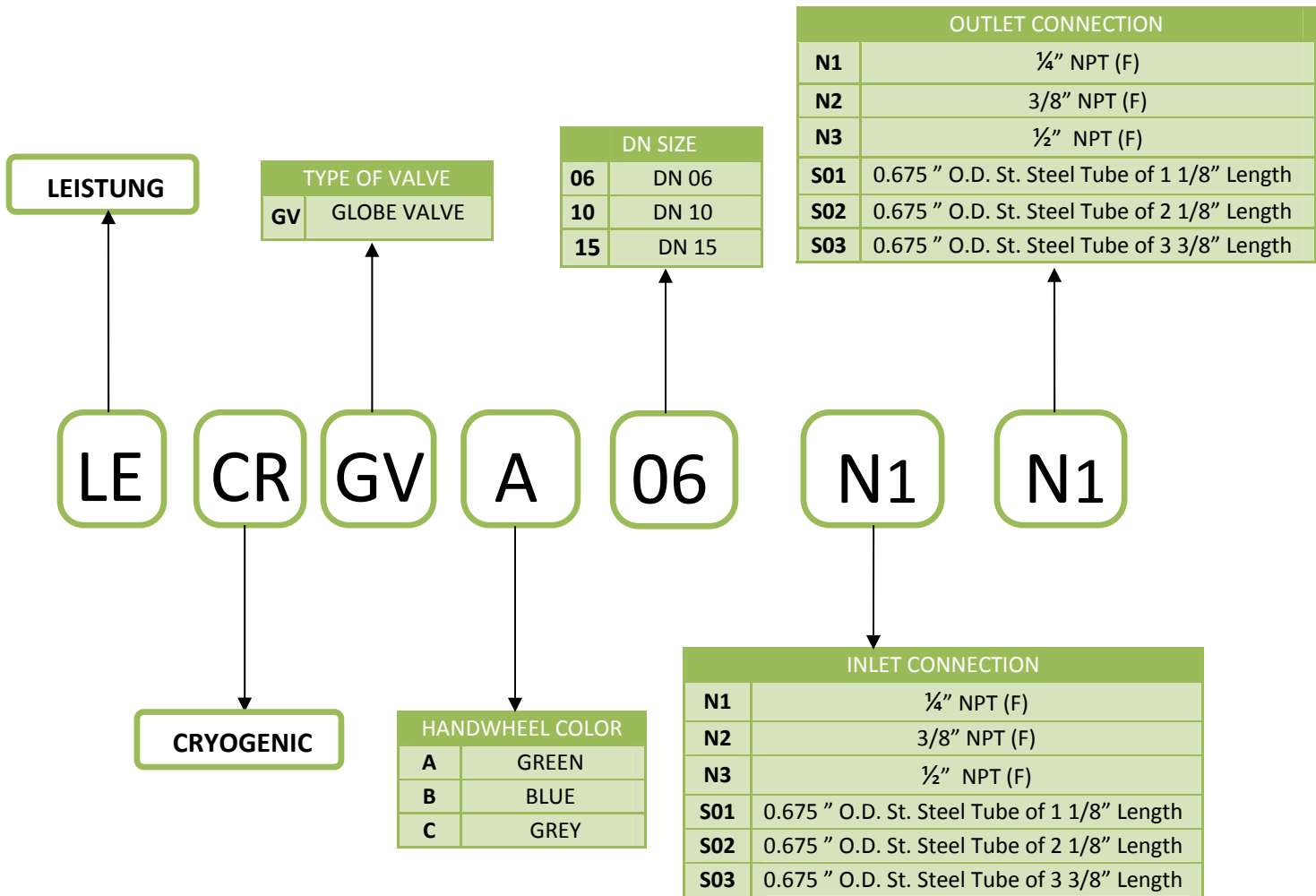


General Information:

Part #	Inlet	Outlet	Orifice	Length	Height	Tube Length
	N1	N2	A	B	C	D
A. Valve With Green Color Hand wheel For Gas Use Application						
LECRGVA06N1N1	1/4" NPT(F)	1/4" NPT(F)	0.250"	2 1/2"	2 3/4"	-
LECRGVA10N2N2	3/8" NPT(F)	3/8" NPT(F)	0.406"	2 1/2"	2 3/4"	-
LECRGVA15N3N3	1/2" NPT(F)	1/2" NPT(F)	0.406"	2 1/2"	2 3/4"	-
LECRGVA10S01N2	0.675" OD TUBE	3/8" NPT(F)	0.406"	2 1/2"	2 3/4"	1 1/8"
LECRGVA10S02N2	0.675" OD TUBE	3/8" NPT(F)	0.406"	2 1/2"	2 3/4"	2 1/8"
LECRGVA10S03N2	0.675" OD TUBE	3/8" NPT(F)	0.406"	2 1/2"	2 3/4"	3 3/8"
LECRGVA10S01S01	0.675" OD TUBE	0.675" OD TUBE	0.406"	2 1/2"	2 3/4"	1 1/8"
LECRGVA10S02S02	0.675" OD TUBE	0.675" OD TUBE	0.406"	2 1/2"	2 3/4"	2 1/8"
LECRGVA10S03S03	0.675" OD TUBE	0.675" OD TUBE	0.406"	2 1/2"	2 3/4"	3 3/8"
B. Valve With Blue Color Hand wheel For Liquid Use Application						
LECRGVB06N1N1	1/4" NPT(F)	1/4" NPT(F)	0.250"	2 1/2"	2 3/4"	-
LECRGVB10N2N2	3/8" NPT(F)	3/8" NPT(F)	0.406"	2 1/2"	2 3/4"	-
LECRGVB15N3N3	1/2" NPT(F)	1/2" NPT(F)	0.406"	2 1/2"	2 3/4"	-
LECRGVB10S01N2	0.675" OD TUBE	3/8" NPT(F)	0.406"	2 1/2"	2 3/4"	1 1/8"
LECRGVB10S02N2	0.675" OD TUBE	3/8" NPT(F)	0.406"	2 1/2"	2 3/4"	2 1/8"
LECRGVB10S03N2	0.675" OD TUBE	3/8" NPT(F)	0.406"	2 1/2"	2 3/4"	3 3/8"
LECRGVB10S01S01	0.675" OD TUBE	0.675" OD TUBE	0.406"	2 1/2"	2 3/4"	1 1/8"
LECRGVB10S02S02	0.675" OD TUBE	0.675" OD TUBE	0.406"	2 1/2"	2 3/4"	2 1/8"
LECRGVB10S03S03	0.675" OD TUBE	0.675" OD TUBE	0.406"	2 1/2"	2 3/4"	3 3/8"
C. Valve With Grey Color Hand wheel For Vent Application						
LECRGVC06N1N1	1/4" NPT(F)	1/4" NPT(F)	0.250"	2 1/2"	2 3/4"	-
LECRGVC10N2N2	3/8" NPT(F)	3/8" NPT(F)	0.406"	2 1/2"	2 3/4"	-
LECRGVC15N3N3	1/2" NPT(F)	1/2" NPT(F)	0.406"	2 1/2"	2 3/4"	-
LECRGVC10S01N2	0.675" OD TUBE	3/8" NPT(F)	0.406"	2 1/2"	2 3/4"	1 1/8"
LECRGVC10S02N2	0.675" OD TUBE	3/8" NPT(F)	0.406"	2 1/2"	2 3/4"	2 1/8"
LECRGVC10S03N2	0.675" OD TUBE	3/8" NPT(F)	0.406"	2 1/2"	2 3/4"	3 3/8"
LECRGVC10S01S01	0.675" OD TUBE	0.675" OD TUBE	0.406"	2 1/2"	2 3/4"	1 1/8"
LECRGVC10S02S02	0.675" OD TUBE	0.675" OD TUBE	0.406"	2 1/2"	2 3/4"	2 1/8"
LECRGVC10S03S03	0.675" OD TUBE	0.675" OD TUBE	0.406"	2 1/2"	2 3/4"	3 3/8"
D. Headwork Assembly						
LECRGVA	Headwork With Green Color Hand wheel For Gas Use Application					
LECRGVB	Headwork With Blue Color Hand wheel For Liquid Use Application					
LECRGVC	Headwork With Grey Color Hand wheel For Vent Use Application					

Ordering Chart

ORDER IDENTIFICATION NUMBER



TYPE OF VALVE	
GV	GLOBE VALVE

DN SIZE	
06	DN 06
10	DN 10
15	DN 15

OUTLET CONNECTION	
N1	1/4" NPT (F)
N2	3/8" NPT (F)
N3	1/2" NPT (F)
S01	0.675 " O.D. St. Steel Tube of 1 1/8" Length
S02	0.675 " O.D. St. Steel Tube of 2 1/8" Length
S03	0.675 " O.D. St. Steel Tube of 3 3/8" Length

INLET CONNECTION	
N1	1/4" NPT (F)
N2	3/8" NPT (F)
N3	1/2" NPT (F)
S01	0.675 " O.D. St. Steel Tube of 1 1/8" Length
S02	0.675 " O.D. St. Steel Tube of 2 1/8" Length
S03	0.675 " O.D. St. Steel Tube of 3 3/8" Length

HANDWHEEL COLOR	
A	GREEN
B	BLUE
C	GREY