

CRYO ECONOMIZER

Forged Brass body

Application:

Cryogenic economizers are designed to be used as pressure reducing valves to automatically maintain a constant inlet or back pressure, normally closed at pressures below its set point and open at pressures above its set point. The Economizer is primarily designed to assist in maintaining a desired system pressure ideal for Nitrogen, Oxygen, Argon and other Cryogenic cylinder applications.



Features:

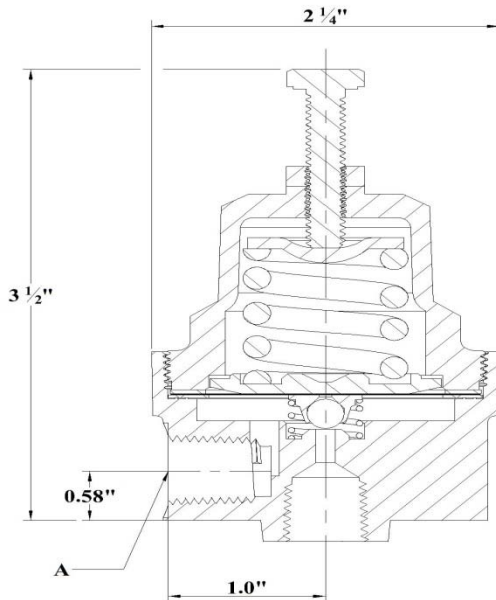
- ❖ Design provides premium flow characteristics allowing for fast pressure reduction while maintaining sensitive flow control at lower pressure settings
- ❖ Interchangeable with existing cryogenic economizer units
- ❖ Inlet filter helps prevent foreign material from entering the economizer units
- ❖ Cleaned for liquid oxygen service per CGA G-4.1
- ❖ 100% Factory tested

Technical:

- ❖ Designed and manufactured in accordance with ASTM B31.1, EN 1626 & BS ISO 21011
- ❖ Full material traceability backed by BS EN 10204 3.1 certification

Technical Data:

Connection Size	1/4" NPT(F)
Media	LIN,LAR & LOX
Maximum Inlet Pressure	550 PSIG (37.9 BAR)
Operating Temperature	-320°F TO +149°F (-196°C TO +65°C)
Body	Forged Brass (BS EN 12164 CW617N)
Bonnet	Brass (BS EN 12164 CW721R)
Seat Disc	PTFE
Spring	Stainless Steel (SS 302)
Gasket	PTFE



General Information:

Part #	Inlet / Outlet Connections (A) NPT(F)	Factory Pressure Setting	Operating Range
LECREC022N	1/4"	022 PSI / 1.5 BAR	10-60 PSI / 0.7-4.1 BAR
LECREC100N	1/4"	100 PSI / 6.9 BAR	40-175 PSI / 3.4-12.1 BAR
LECREC123N	1/4"	123 PSI / 8.5 BAR	
LECREC140N	1/4"	140 PSI / 9.7 BAR	
LECREC175N	1/4"	175 PSI / 12.1 BAR	
LECREC325N	1/4"	325 PSI / 22.4 BAR	150-350 PSI / 10.3-24.1 BAR

Ordering Chart

ORDER IDENTIFICATION NUMBER

