

Bag Filter Housing

- High flow rate at minimum pressure drop
- Compression sealing arrangement to avoid bypassing
- Easy to operate & low maintenance
- Quick and simple changeover of bags
- Various connection options in inlet, outlet, vent and drain available
- Covers are 'O'-ring sealed
- Various surface finish options for inside as well as outside available



Leistung's bag filtration system is designed for optimum filtration performance.

Housing is constructed of shell, filter bag, internal cage to support bag, positive sealing arrangement & choices of end connections.

The internal support ensures bags will not burst as high differential pressure builds up during operation.

Normally, the filtration is from inside to out through the bag filter media. Contaminant removed from the liquid are retained inside the bag making change over and disposal simple.

Leistung's single bag (1B) & multiple bag (MB) series housing are versatile bag filter housing. They are ideally suited for vast number of applications.

Single bag filter housing

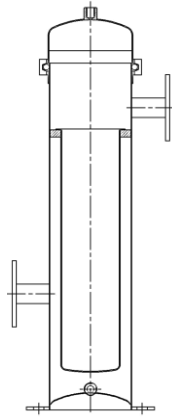
- Economically priced
- Bolted or V-Band clamped vessel closure

Multiple bag filter housing

- Up to 16 bags per vessel means high flow rates & less downtime for bag change
- Bolted or Rathmann styled clamped vessel closure

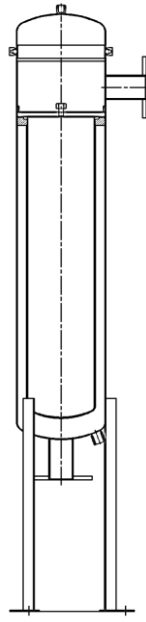
Technical Data

No. of Bags	Up to 16
Bag Sizes	Ø4"x10", Ø4"x20", Ø7"x16", Ø7"x32"
Flow Rate	Up to 480 m ³ /hr
Design Code	ASME section VIII Division 1 or Good Engineering Practice
MOC	CS, SS – 304, 304L, 316, 316L, Duplex 2205
Pressure Rating	1 – 15 bar, more on request
Temperature Rating	-25°C to +65°C, more on request
Connection Size	1" – 12"
Connections	Flange, V-Band (Hygienic) Clamp, Socket
Vessel Closure	V-Band (Hygienic) Clamped, Rathmann Styled Clamped, Bolted
Sealing Material	EPDM, Silicon
Lifting Device	Davit Arm, Lifting Lug, Lifting Handle
Vessel Support	Legs, Skirt
Surface Finish	Matt Finish, Mirror Finish, Paint
Optional Finish	Electro Polish, Rubber/FRP Lining
Customized Design	Available in customized design to accommodate specific requirements
Accessories (Optional)	Pressure Gauge, Vent Valve, Drain Valve, D.P. Gauge

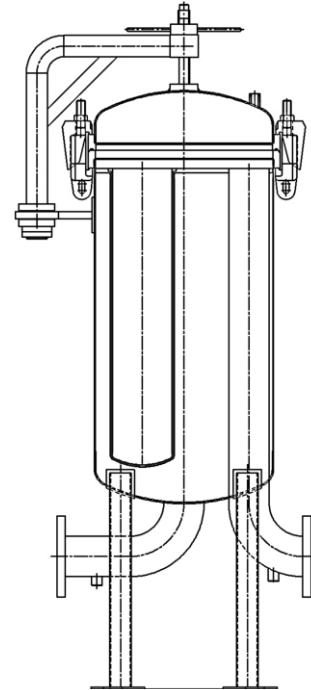


For $\Phi 4$ " Size Bags

Leistung 1B Series Bag Filter Housing



For $\Phi 7$ " Size Bags



Leistung MB Series Bag Filter Housing

Ordering Chart

ORDER IDENTIFICATION NUMBER

