

# Sanitary Liquid Filter Housing (SL Series)

LEISTUNG



- Suitable for pharmaceutical, bioprocess, food & beverage industries
- User friendly vertical design with sanitary connection
- Suitable for CIP & SIP design
- Easy draining features, including downwards sloping internal contour and low point drain
- Automatic welding produces consistent high-quality welds
- Requires minimum floor space & quickly dismantles for easy cleaning
- Code - 7 bayonet lock enhances cleanability, drain ability & efficient sealing between filter cartridge and housing.

Technical Data	
No. of Cartridges	Single to Multi *
Cartridge Length	5", 10", 20", 30", 40"
Flow Rate	Up to 160 m <sup>3</sup> /hr *
Cartridge Fitment	Code - 7/ Code - 226, SOE / Code - 222, Mini baby Code-7
Design Code	Sound Engineering Practice, ASME section VIII Division 1, CE-PED, ATEX
MOC	Stainless Steel material grade - 304, 304L, 316, 316L *
Pressure Rating	1 - 10 bar *
Temperature Rating	-25°C to +150°C *
Connection Size	½" - 6" *
Connections	V-Band (Hygienic) Clamp, Flange, Socket
Vessel Closure	V-Band Clamped, C-Clamp closure, Eye bolt & nut type of closure
Sealing Material	Silicon, EPDM, Viton, PTFE
Lifting Device	Lifting Handle, Lifting Lug
Vessel Support	Legs, Tripod
Surface Finish	Mirror finish, Matt finish
Optional Finish	Electro Polish
Surface Roughness	< 0.38 µm
Accessories (Optional)	Pressure Gauge, Vent Valve, Drain Valve, D.P. Gauge, Staubli-valve
Coded Vessel (Optional)	ASME 'U' Stamp, 'UM' Stamp, 'R' Stamp, CE Marking ATEX Marking

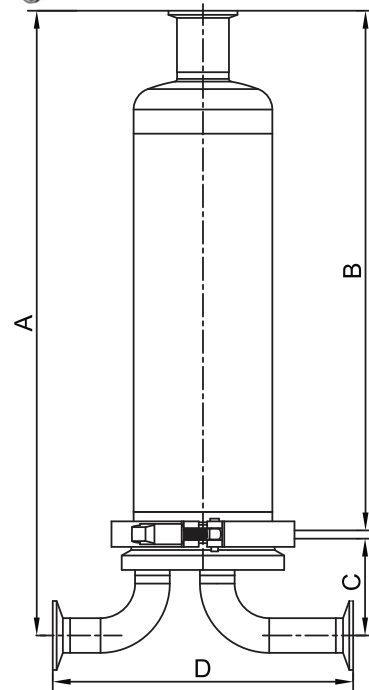
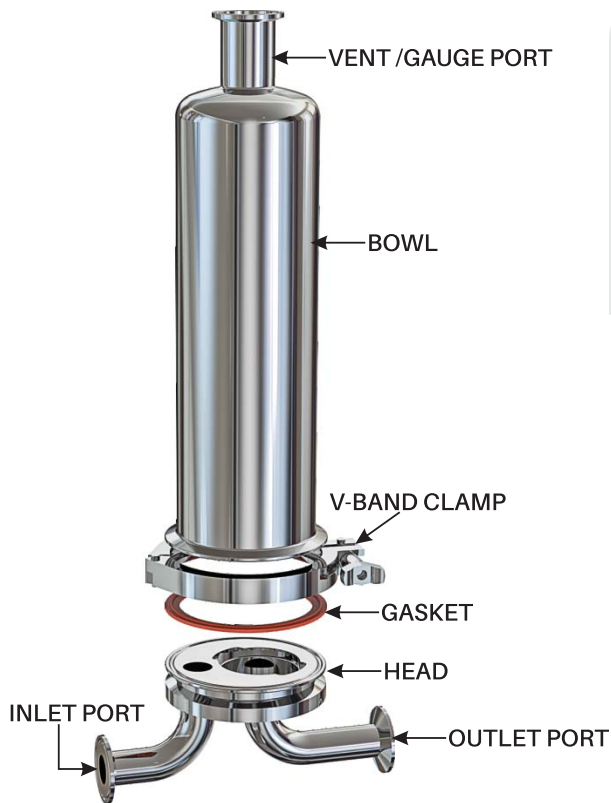
\* Customization in design available on request

# SL 10 Series



## Sanitary Standard Design

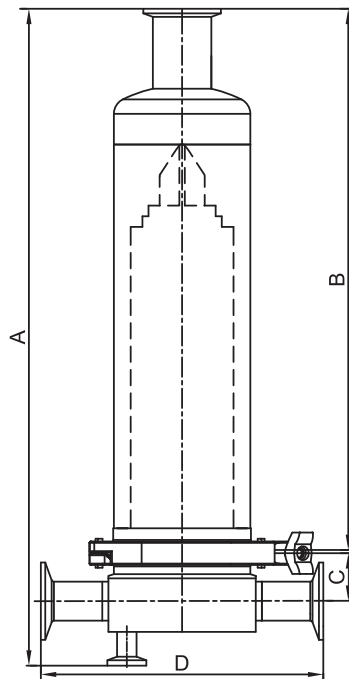
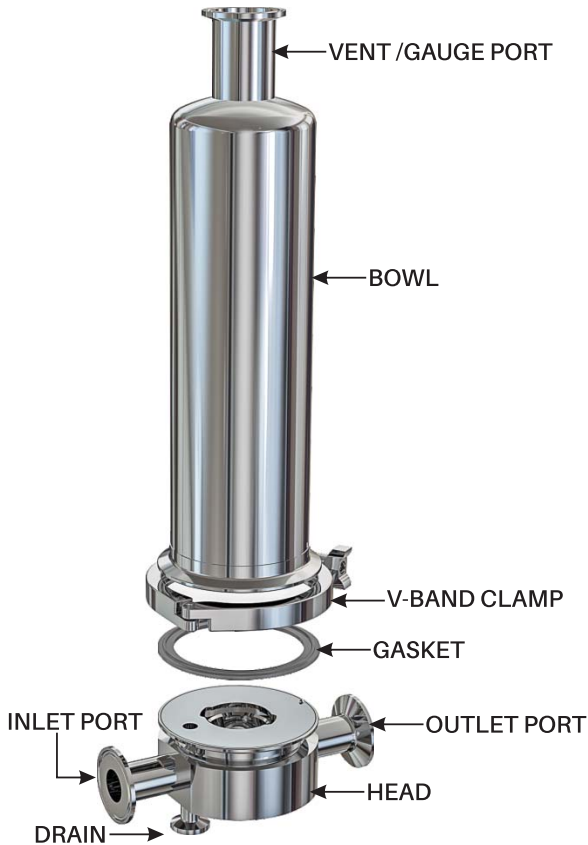
(Suitable for Code-226/Code-7 Cartridge)



LENGTH	A	B	C	D	STANDARD CONNECTION
05"	354	272	79	220	1" 1.5"
10"	464	382	79	220	
20"	714	632	79	220	
30"	964	882	79	220	
40"	1245	1132	79	220	

**Sanitary Solid Block Design**

(Suitable for Code-226/Code-7 Cartridge)



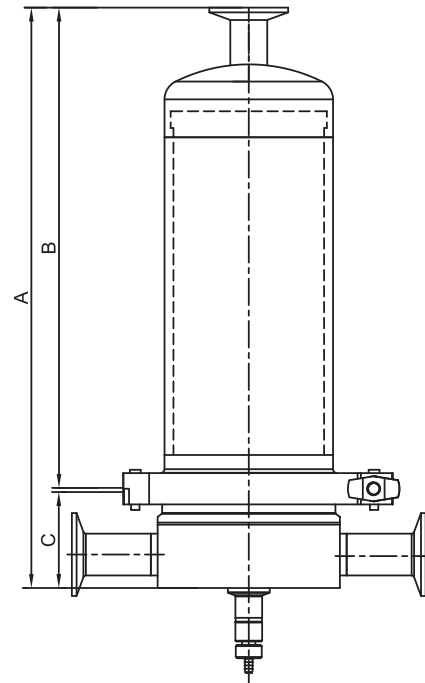
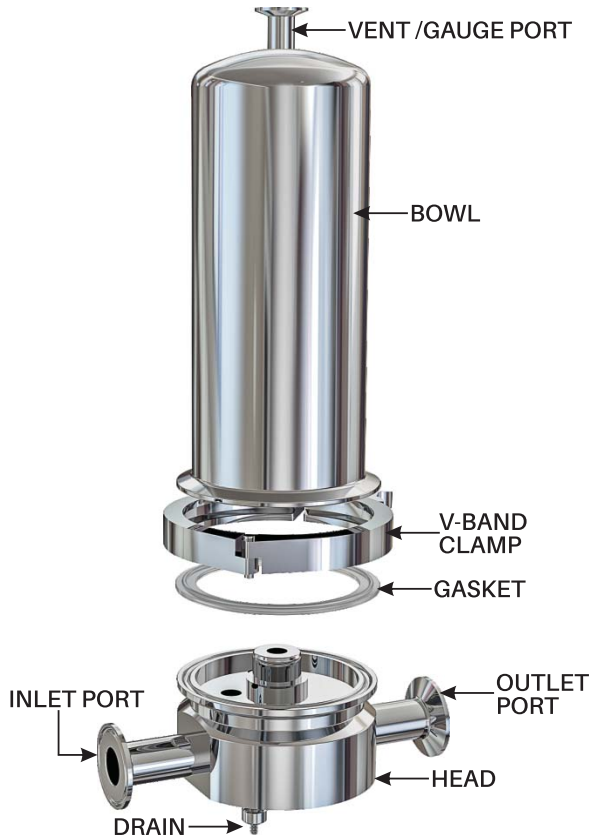
LENGTH	A	B	C	D	STANDARD CONNECTION
05"	369	272	45	220	1" 1.5"
10"	481	382	45	220	
20"	729	632	45	220	
30"	977	882	45	220	

# SL 30 Series



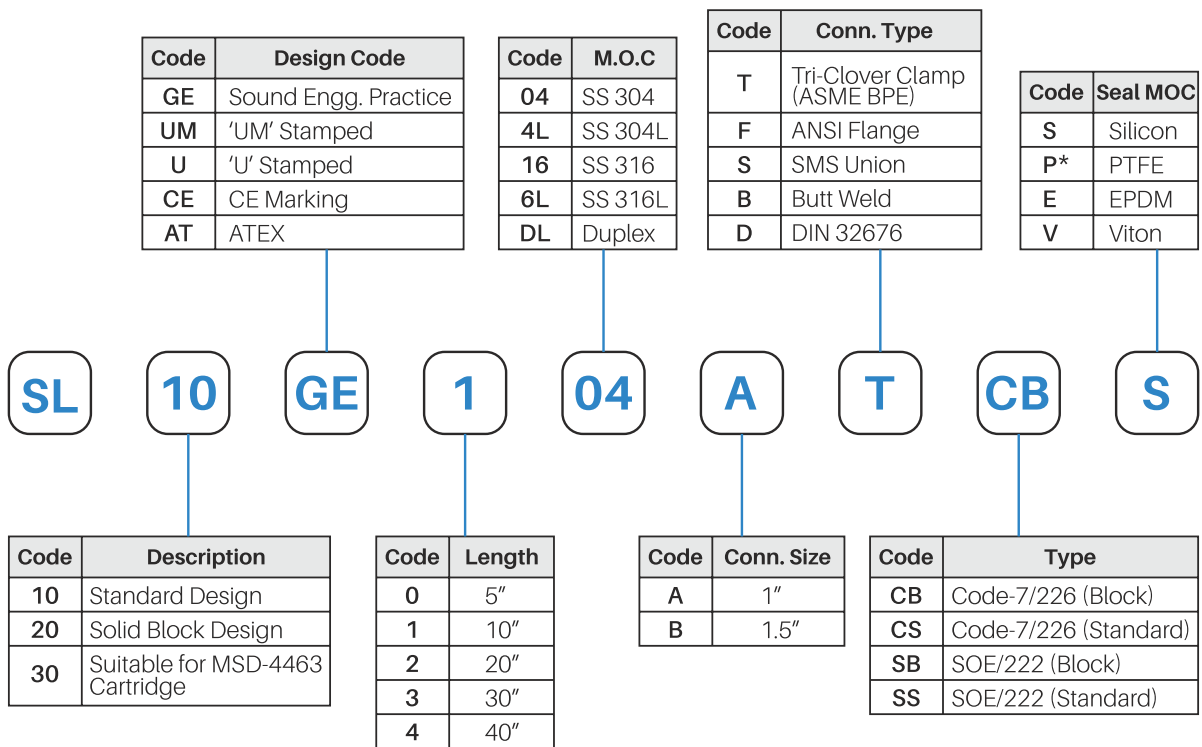
## Sanitary Single Element Liquid Filter Housing

(Suitable For MDS-4463 Cartridge)



LENGTH	A	B	C	STANDARD CONNECTION
05"	228	174	39	1"

Ordering Chart



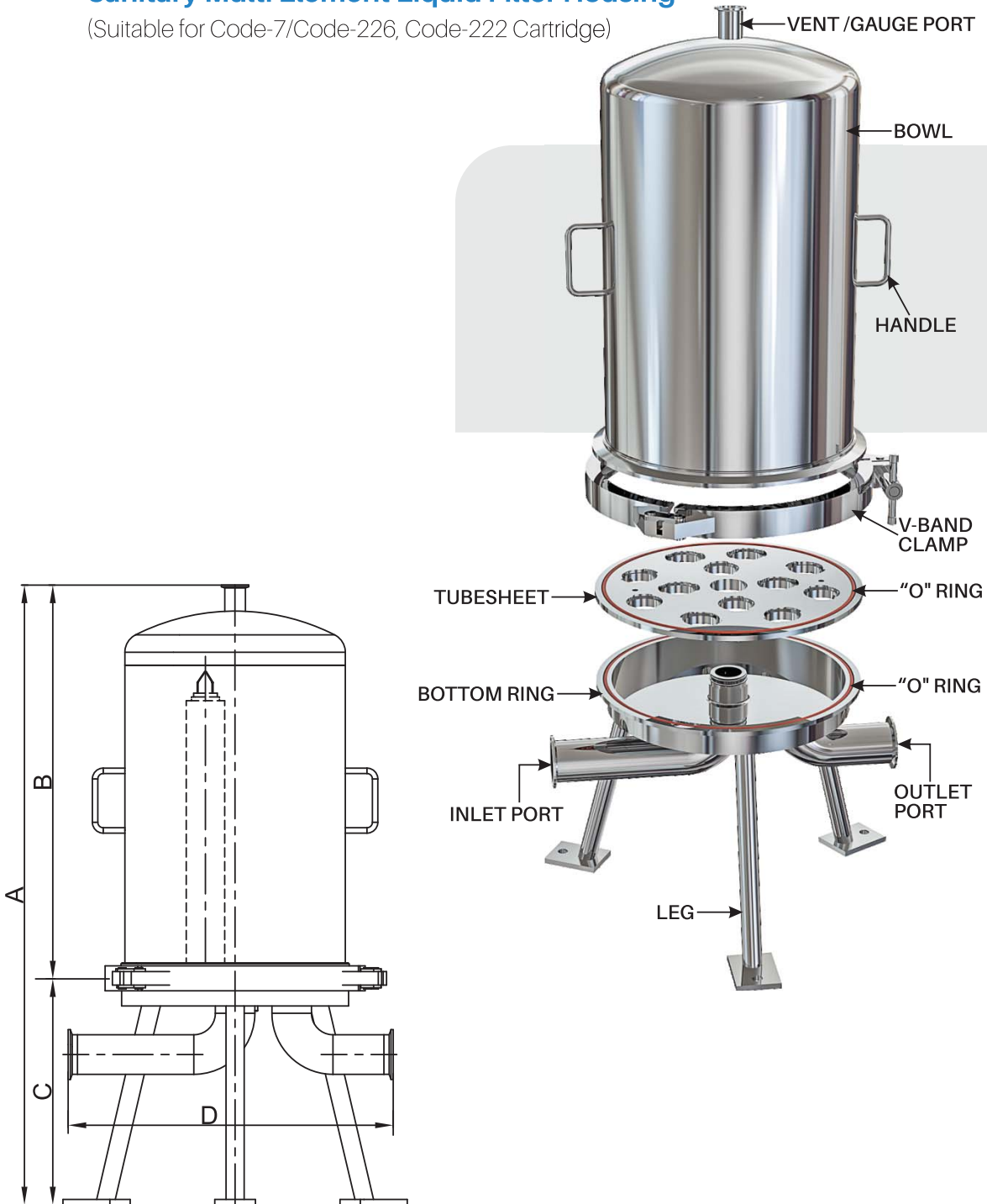
- \* High Pressure Vessels supplied with a double bolted clamp
- \* Supplied with a double bolted clamp

# SL 40 Series



## Sanitary Multi Element Liquid Filter Housing

(Suitable for Code-7/Code-226, Code-222 Cartridge)



LENGTH	MAX. NO. OF CARTRIDGE	A	B	C	D	STANDARD CONNECTION
10"	03 NOS.	707	422	285	315	1" 1.5"
20"		957	672	285	315	
30"		1207	922	285	315	
40"		1457	1172	285	315	
10"	05 NOS.	727	442	285	505	1.5" 2"
20"		977	692	285	505	
30"		1227	942	285	505	
40"		1477	1192	285	505	
20"	07 NOS.	1097	707	390	545	2" 2.5"
30"		1347	957	390	545	
40"		1602	1212	390	545	
20"	09 NOS.	1132	719	413	553	2" 2.5" 3"
30"		1387	974	413	553	
40"		1657	1244	413	553	
20"	12 NOS.	1179	734	445	594	2" 2.5" 3"
30"		1434	989	445	638	
40"		1684	1239	445	638	
20"	15 NOS.	1158	745	413	620	2" 2.5" 3"
30"		1408	995	413	620	
40"		1672	1259	413	620	
20"	21 NOS.	1317	807	510	180	2" 2.5" 3"
30"		1561	1051	510	180	
40"		1833	1323	510	180	

\* Customization in design available on request



# SL 40 Series



## Type Of Closure



Eye Bolt & Eye Nut Type Closure



Eye Bolt & Eye Nut Type Closure With Removable Tubesheet



V-Band Clamp (Tri-clover) Type Closure



C - Clamp Type Closure With Removable Tubesheet

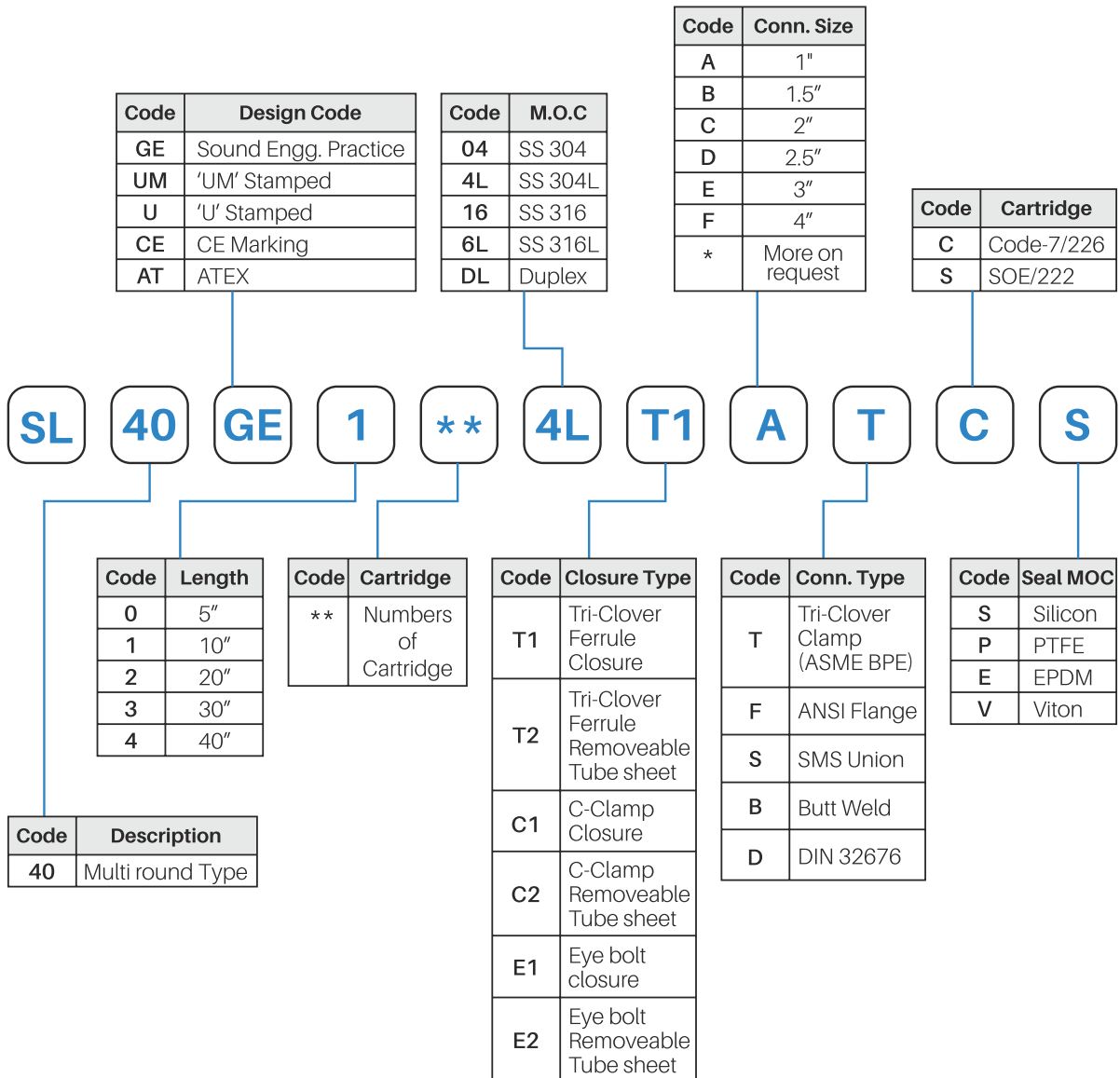


C - Clamp Type Closure



V-Band Clamp (Tri-clover) Type Closure With Removable Tubesheet

Ordering Chart



\* Customised design with more number of cartridges and connection are available