

Auto Cleaning Filter Housing (AC Series)

LEISTUNG



Auto Cleaning Filter Housing With Brush Type Cleaner

- Elimination or reduction in requirement of bag or cartridge filters in downstream
- Reduction in operator handling, inventory costs and landfill waste
- Reduction in product loss, more thorough automatic contaminant purge
- Reduction or elimination of operator intervention for safer operation
- Virtually maintenance free, near 100% uptime
- Compact design, lower capital cost, can fit most installations
- Stainless steel screens available up to minimum 50 micron slots to handle a wide range of filtration needs
- Top mounted gear motor for filter with brush type cleaner to rotate the brush



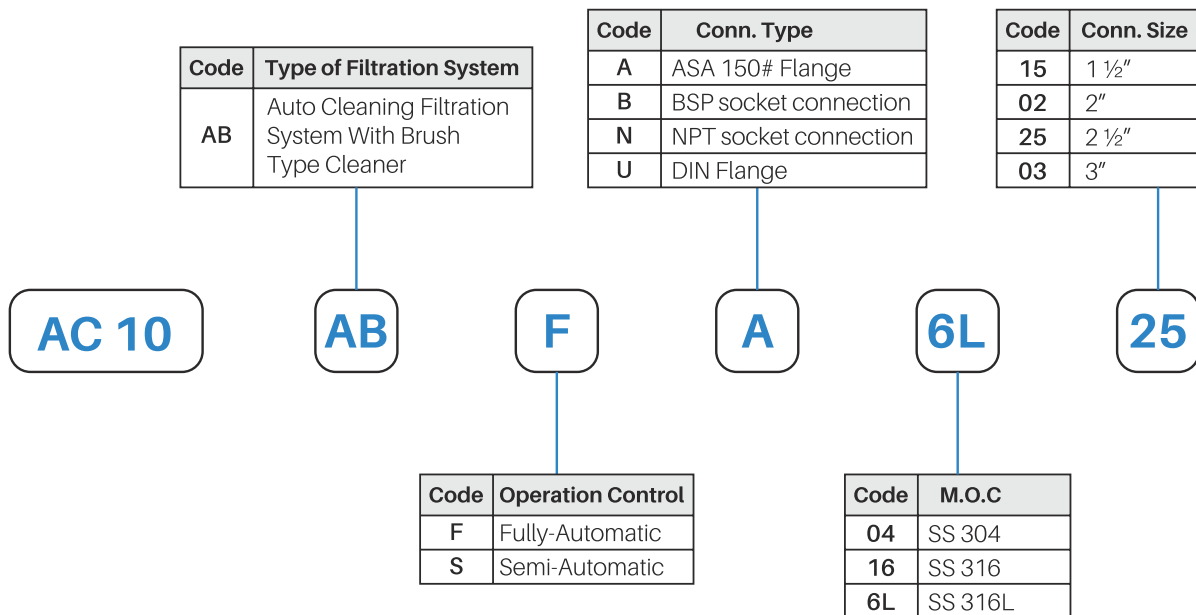
Technical Data	
Flow Rate	Up to 40 m ³ /hr
MOC	SS - 304, 316, 316L
Pressure Rating	1 - 5 bar, more on request
Temperature Rating	-25°C to +65°C, more on request
Connection Size	1½" - 3"
Connections	Flange, Socket
Vessel Closure	Eye Bolt
Sealing Material	Silicon
Vessel Support	Legs / Flexible Tripod
Surface Finish	Matt Finish, Blast Finish
Customized Design	Available in customized design to accommodate specific requirements
Accessories (Optional)	Pressure Gauge, Vent Valve, Drain Valve, D.P. Gauge

* Customization in design available on request

AC 10 Series



Ordering Chart



Auto Cleaning Filter Housing With Disc Type Cleaner

- Elimination or reduction in requirement of bag or cartridge filters in downstream
- Reduction in operator handling, inventory costs and landfill waste
- Reduction in product loss, more thorough automatic contaminant purge
- Reduction or elimination of operator intervention for safer operation
- Virtually maintenance free, near 100% uptime
- Compact design, lower capital cost, can fit most installations
- Stainless steel screens available up to minimum 50 micron slots to handle a wide range of filtration needs
- Long operating life of cleaning actuators with twin cylinder design comprising bridged system
- Completely flameproof design available with option of logical pneumatic controller



Technical Data	
Flow Rate	Up to 40 m ³ /hr
MOC	SS - 304, 316, 316L
Pressure Rating	1 - 5 bar, more on request
Temperature Rating	-25°C to +65°C, more on request
Connection Size	1½" - 3"
Connections	Flange, Socket
Vessel Closure	Eye Bolt
Sealing Material	Silicon
Vessel Support	Legs / Flexible Tripod
Surface Finish	Matt Finish, Blast Finish
Customized Design	Available in customized design to accommodate specific requirements
Accessories (Optional)	Pressure Gauge, Vent Valve, Drain Valve, D.P. Gauge

* Customization in design available on request

AC 20 Series



Ordering Chart

