

Sanitary Air/Gas/Steam Filter Housing (SG Series)

LEISTUNG



Sanitary Air/Gas/Steam Housing (SG Series)

- Integral drainage sump protects filter from condensate blockage
- A broad selection of elements for culinary steam, compressed air and sterile air filtration
- It is working on hydrophobic working principle. Hydrophobic actually resists the water
- Suitable for pharmaceutical, bioprocess, chemical, food & beverage industries
- User friendly vertical design with sanitary connection
- Suitable for CIP & SIP design
- Very low pressure drop design
- Easy draining features, including downwards sloping internal contour and low point drain
- Automatic welding produces consistent high-quality welds
- Requires minimum floor space & quickly dismantles for easy cleaning
- Inline configurations allow flexible piping options
- Code - 7 bayonet lock enhances cleanability, drain ability & efficient sealing between filter cartridge and housing.

Technical Data	
No. of Cartridges	Single to Multi *
Cartridge Length	5", 10", 20", 30", 40"
Flow Rate	Up to 160 m ³ /hr *
Cartridge Fitment	Code - 7/ Code - 226, SOE/Code - 222, Mini baby Code-7
Design Code	Sound Engineering Practice, ASME section VIII Division 1, CE-PED, ATEX
MOC	Stainless Steel material grade - 304, 304L, 316, 316L *
Pressure Rating	1 - 10 bar *
Temperature Rating	-25°C to +150°C *
Connection Size	½" - 12" *
Connections	V-Band (Hygienic) Clamp, Flange, Socket
Vessel Closure	V-Band Clamped, C-Clamp closure Eye bolt & nut type of closure, Bolted
Sealing Material	Silicon, EPDM, Viton, PTFE
Lifting Device	Lifting Handle, Lifting Lug
Vessel Support	Legs (if required)
Surface Finish	Mirror finish, Matt finish
Optional Finish	Electro Polish
Surface Roughness	< 0.38 µm
Accessories (Optional)	Pressure Gauge, Vent Valve, Drain Valve, D.P. Gauge, Staubli-valve
Coded Vessel (Optional)	ASME 'U' Stamp, 'UM' Stamp, 'R' Stamp, CE Marking, ATEX Marking.

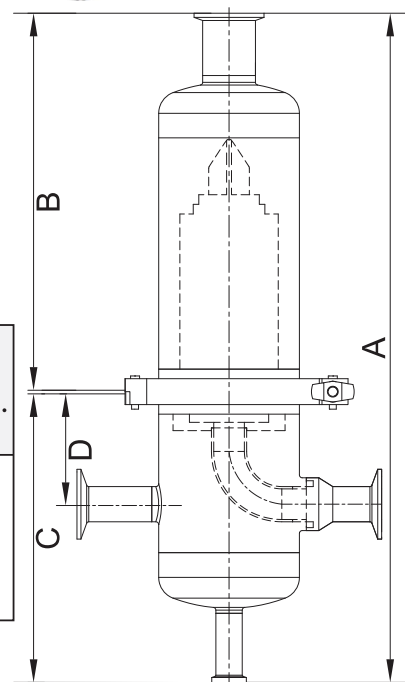
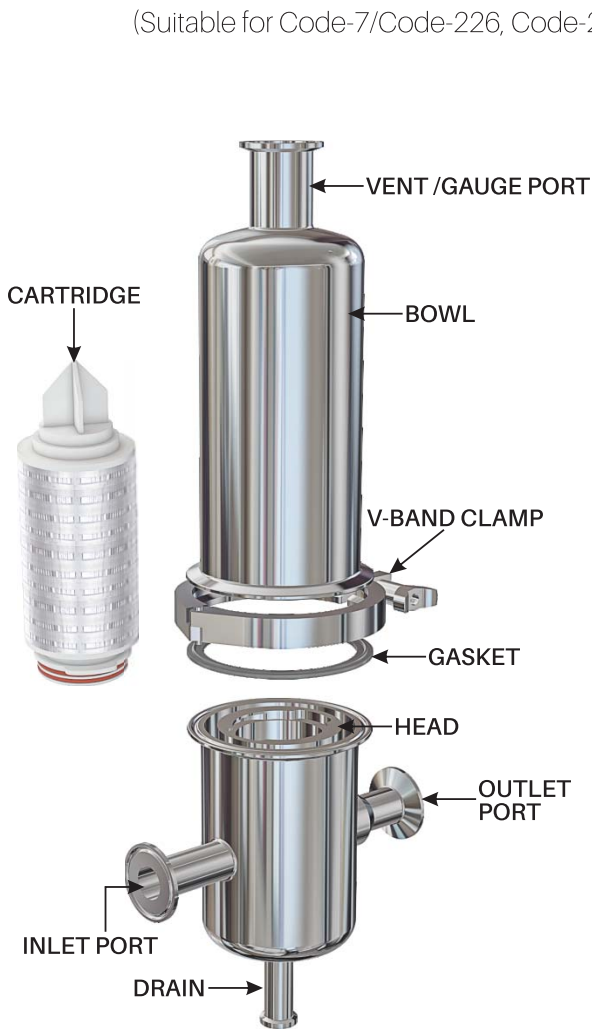
* Customization in design available on request

SG 10 Series



Sanitary Single Element Air/ Gas/ Steam Filter Housing

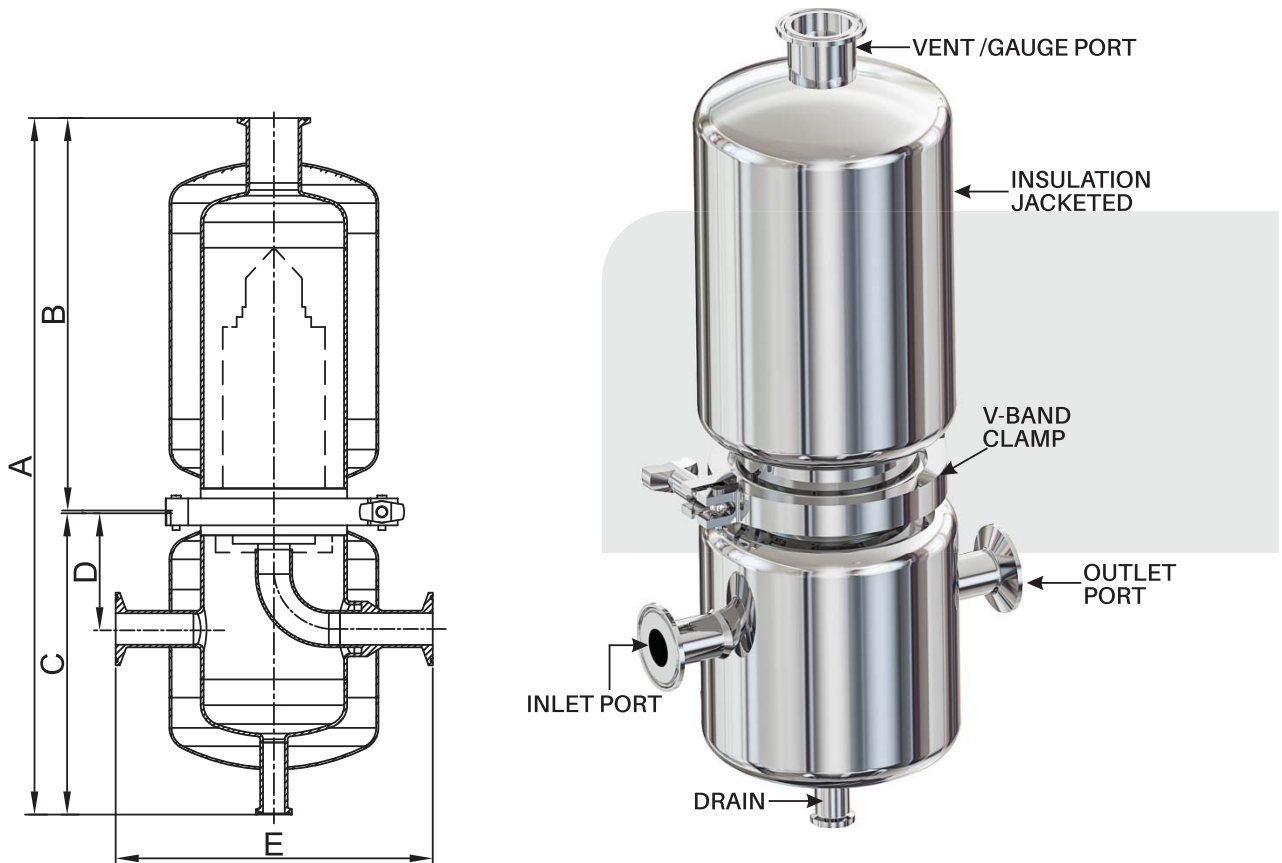
(Suitable for Code-7/Code-226, Code-222 Cartridge)



LENGTH	A		B	C		D		STD. CONN.
	DN25	DN40/ DN50	DN25/ DN40/ DN50	DN25	DN40/ DN50	DN25	DN40/ DN50	
05"	450	472	272	175	197	80	90	3/4"
10"	560	582	382	175	197	80	90	1"
20"	810	832	632	175	197	80	90	1.5"
30"	1060	1082	882	175	197	80	90	2"

Sanitary Single Element Steam Filter Housing With Insulation Jacket

(Suitable for Code-7/Code-226, Code-222 Cartridge)



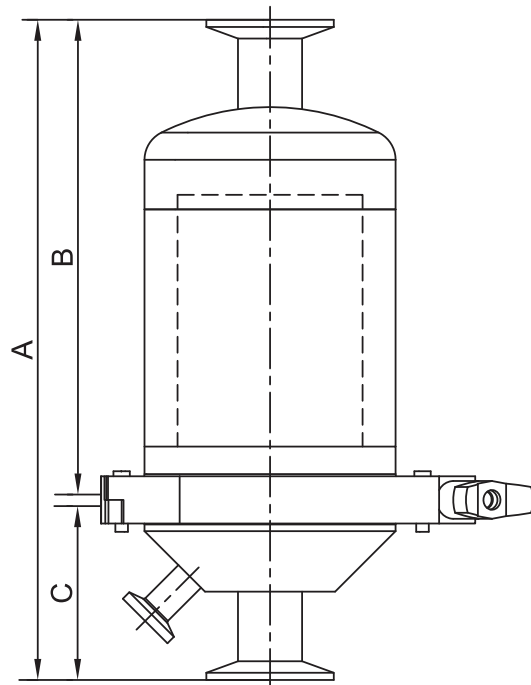
LENGTH	MAX. NO. OF CARTRIDGE	A		B	C		D		STANDARD CONNECTION
		Dn25	Dn40/DN50	DN25/DN40/DN50	Dn25	Dn40/DN50	Dn25	Dn40/DN50	
05"	01 NOS.	450	472	272	175	197	80	90	1"
10"		560	582	382	175	197	80	90	
20"		810	832	632	175	197	80	90	2
30"		1060	1082	882	175	197	80	90	

SG 30 Series



Sanitary Single Element Mini Air/Gas Filter Housing

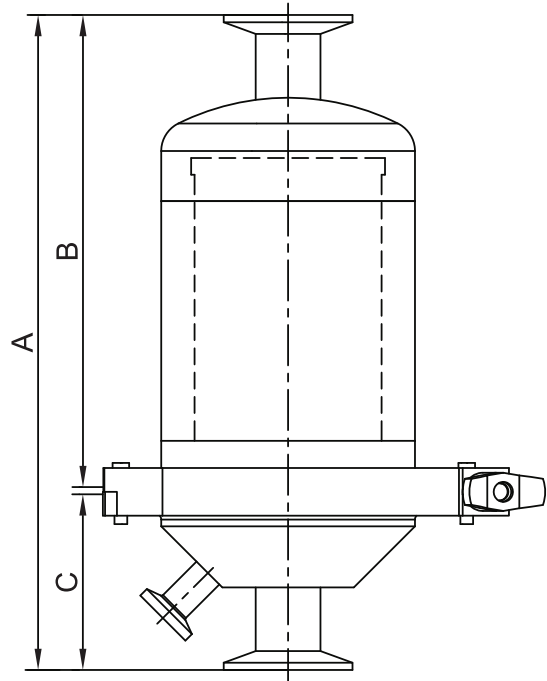
(Suitable For Mini Baby Code-7 Cartridge)



LENGTH	A	B	C	STANDARD CONNECTION
2.5"	193	130	60	1"
5"	253	193	60	1.5"

**Sanitary Single Element Mini
Air/Gas Filter Housing**

(Suitable For MCY-4440 Cartridge)



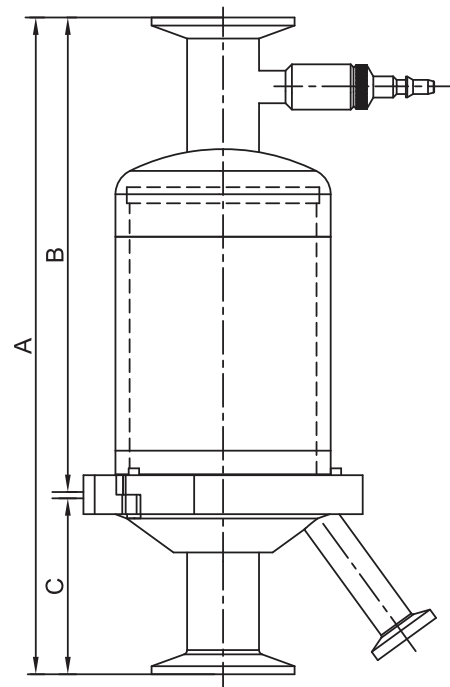
LENGTH	A	B	C	STANDARD CONNECTION
2.5"	193	130	60	1"
5"	253	193	60	1.5"

SG 50 Series



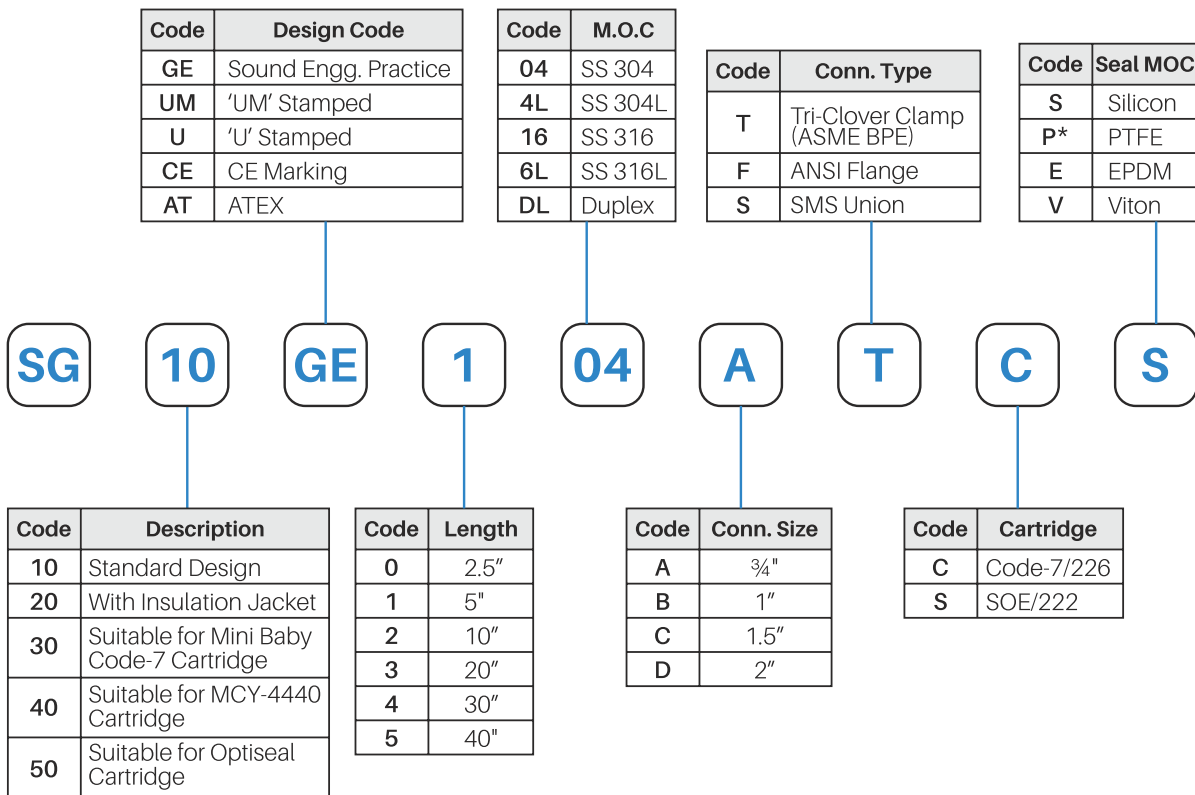
Sanitary Single Element Filter Housing For Sterile & Gas Filtration

(Suitable For Optiseal Cartridge)



LENGTH	A	B	C	STANDARD CONNECTION
5"	226	162	62	1"

Ordering Chart



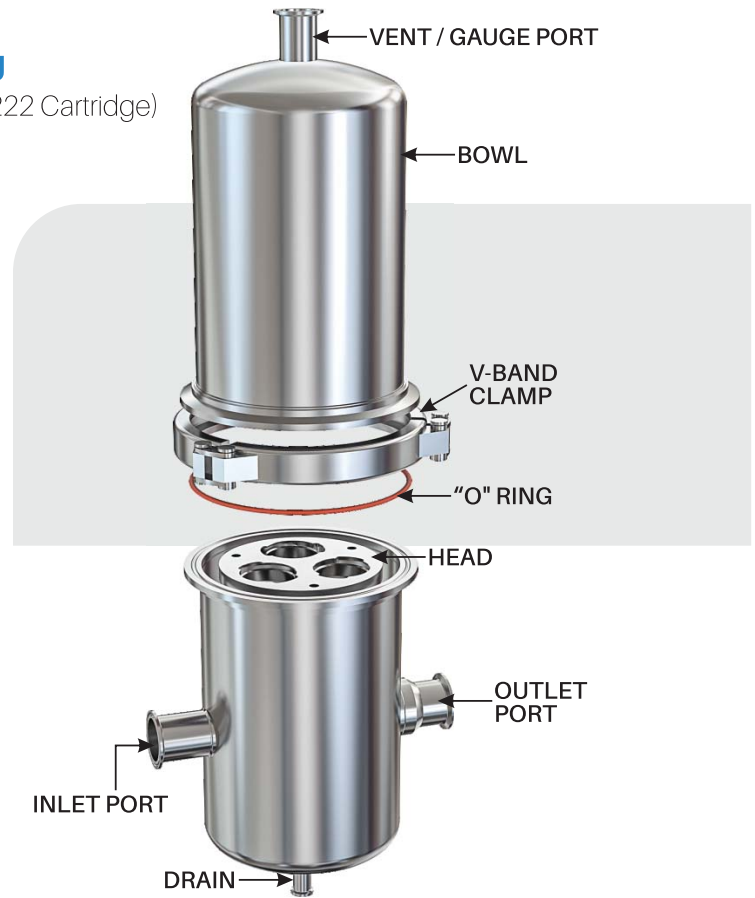
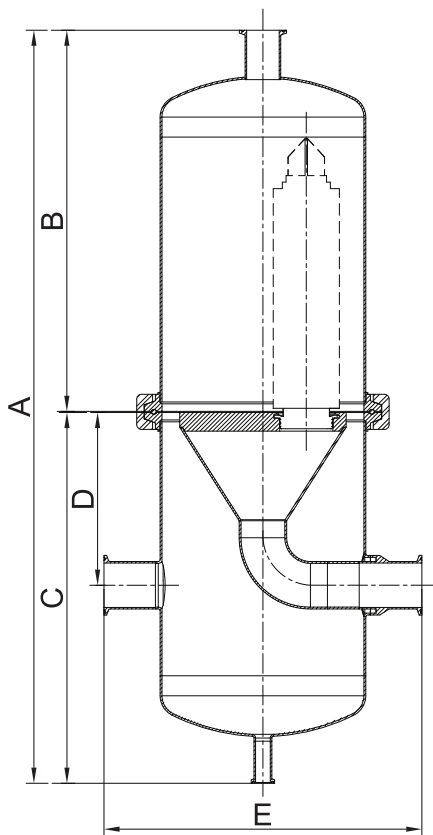
* High Pressure Vessels supplied with a double bolted clamp.

SG 60 Series



Sanitary Multi Element Air/ Gas/ Steam Filter Housing

(Suitable for Code-7/Code-226, Code-222 Cartridge)

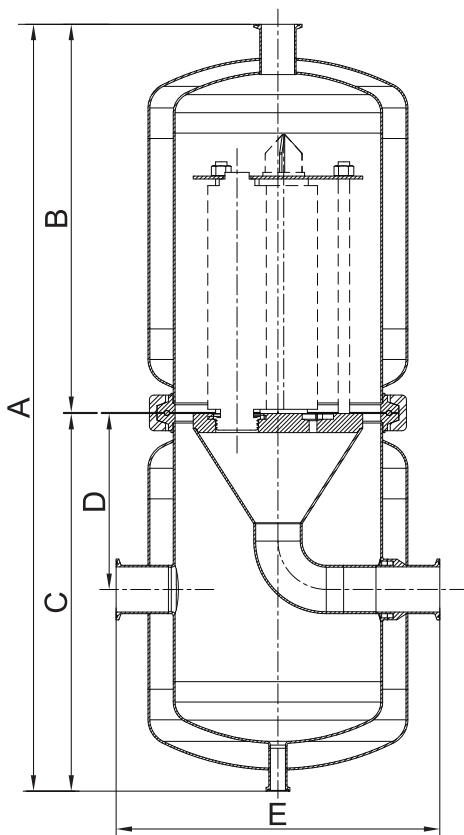


LENGTH	MAX. NO. OF CARTRIDGE	A	B	C	D	E	STANDARD CONNECTION
10"	03 NOS.	778	408	378	185	340	1.5" 2" 2.5"
20"		1060	680	368	185	340	
30"		1295	925	368	185	340	
40"		1570	1190	368	185	340	
10"	07 NOS.	825	427	397	185	393	2" 2.5" 3"
20"		1098	710	397	185	393	
30"		1335	935	397	185	393	
40"		1610	1220	397	185	393	

* Customization in design available on request

Sanitary multi element steam filter housing with insulation jacket

(Suitable for Code-7/Code-226, Code-222 Cartridge)



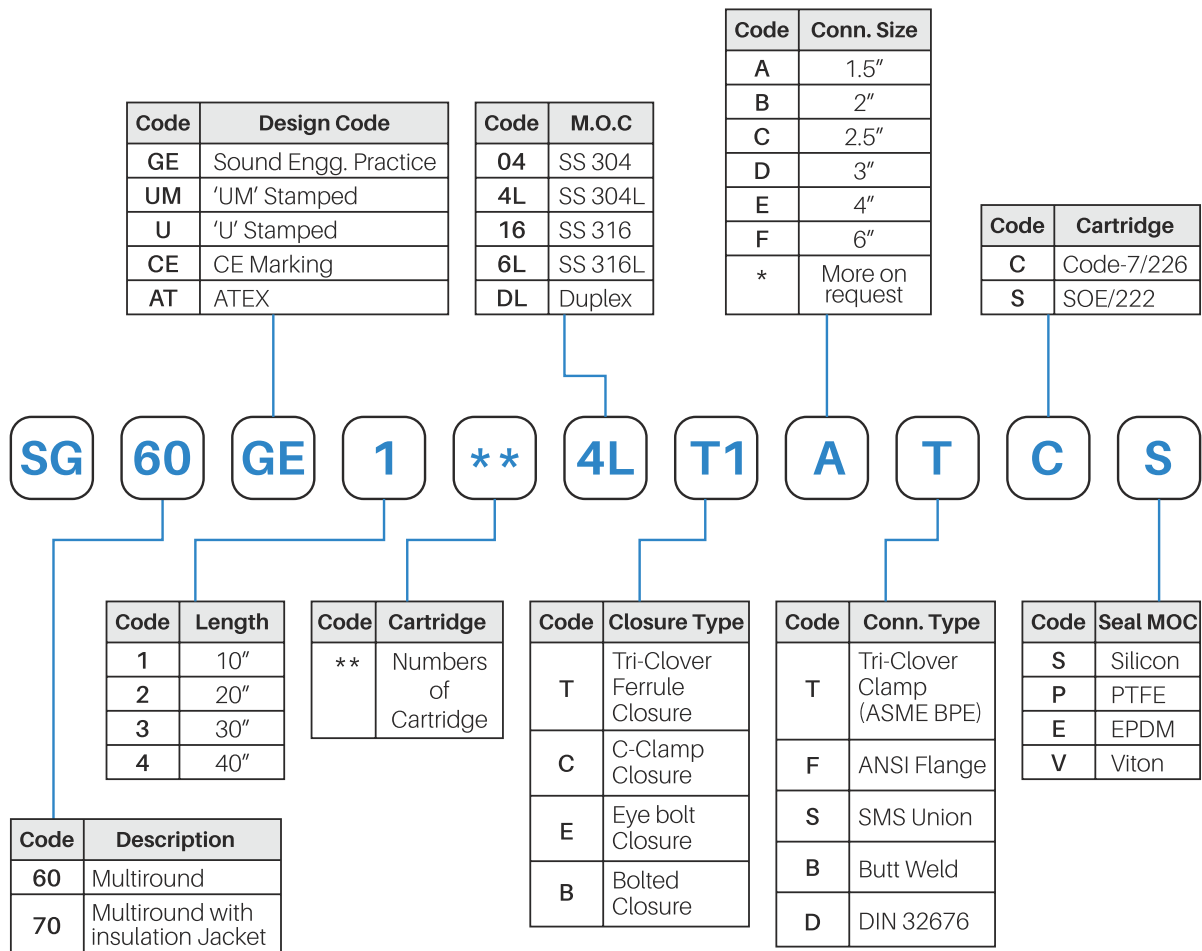
LENGTH	MAX. NO. OF CARTRIDGE	A	B	C	D	E	STANDARD CONNECTION
10"	03 NOS.	778	408	378	185	340	1.5" 2" 2.5"
20"		1060	680	368	185	340	
30"		1295	925	368	185	340	
40"		1570	1190	368	185	340	
10"	07 NOS.	825	427	397	185	393	2" 2.5" 3"
20"		1098	710	397	185	393	
30"		1335	935	397	185	393	
40"		1610	1220	397	185	393	

* Customization in design available on request

SG Series



Ordering Chart



* Customised design with more number of cartridges and connection are available.
 * Large numbers of Gas/Air/Steam filter housings are available with leg design.