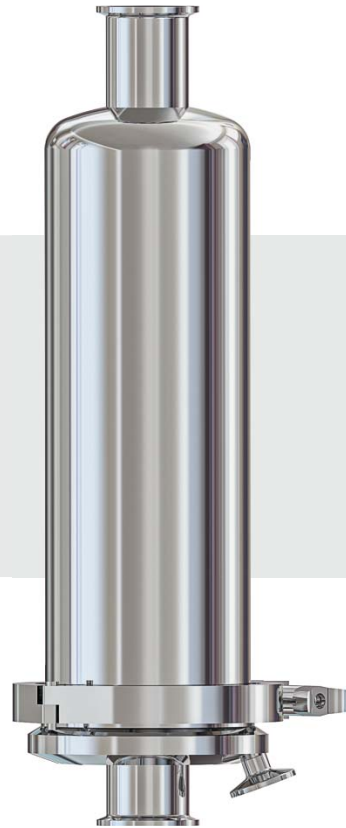


Sanitary Vent Filter Housing (SV Series)



SV Series



Sanitary Vent Filter Housing (SV Series)

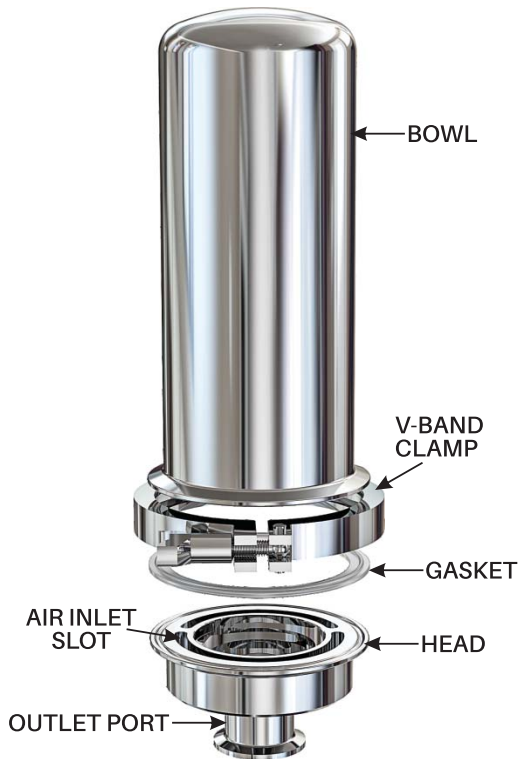
- Prevent vapour condensation in sterile vent and process filters and piping systems
- The vent filter is mounted on the top of storage tank in order to prevent liquid from various microbial and other particular contaminants
- Vent filter protect bacteria other contaminants found in the air or process gas from coming directly in contact with water in storage tank.
- Used in food, beverages, pharmaceutical, chemical and other industries.
- Easy handling with light bowl.

Technical Data	
No. of Cartridges	1 to 5 *
Cartridge Length	5", 10" & 20" *
Cartridge Fitment	Code-226/ Code-7, Mini baby code-7
Design Code	Sound Engineering Practice, ASME section VIII Division 1, CE-PED, ATEX
MOC - Wetted	SS 304, SS 304L, SS316, SS316L, Duplex
MOC - Non Wetted	SS 304
Pressure Rating	10 bar (g) *
Temperature Rating	-25°C to +150°C *
Connection Size	½" to 3" *
Connections	V-Band (Hygienic) Clamp, Flange
Vessel Closure	V-Band (Hygienic) Clamped
Sealing Material	Silicon, EPDM, Viton, PTFE
Surface Finish	Mirror Finish, Matt Finish
Optional Finish	Electro Polish
Surface Roughness	< 0.38 µm
Accessories (Optional)	Pressure Gauge, Vent Valve, Drain Valve, D.P. Gauge Staubli -valve
Coded Vessel (Optional)	ASME 'U' Stamp, 'UM' Stamp, 'R' Stamp, CE Marking, ATEX Marking

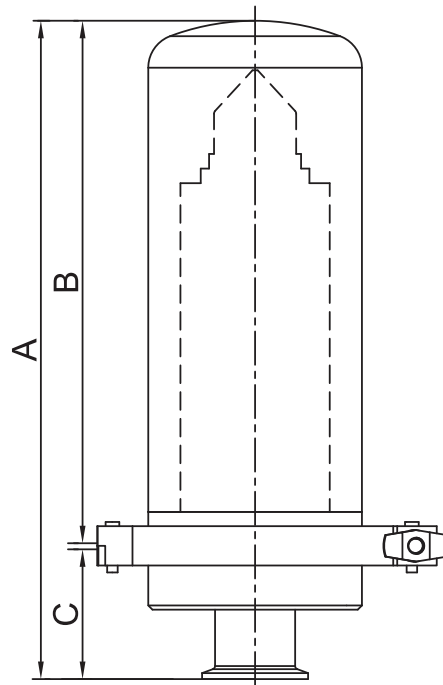
* Customization in design available on request

**Sanitary Single Element
Air-Vent Filter Housing**

(Suitable for Code-7/Code-226 Cartridge)



LENGTH	A	B	C	STANDARD CONNECTION
05"	306	228	75	1"
10"	431	353	75	1.5"
20"	681	603	75	2"
30"	931	853	75	3"

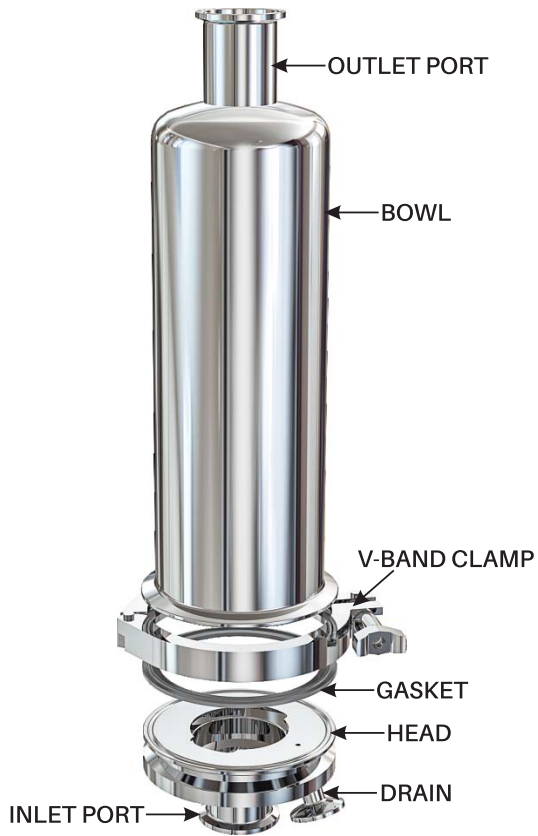


SV 20 Series

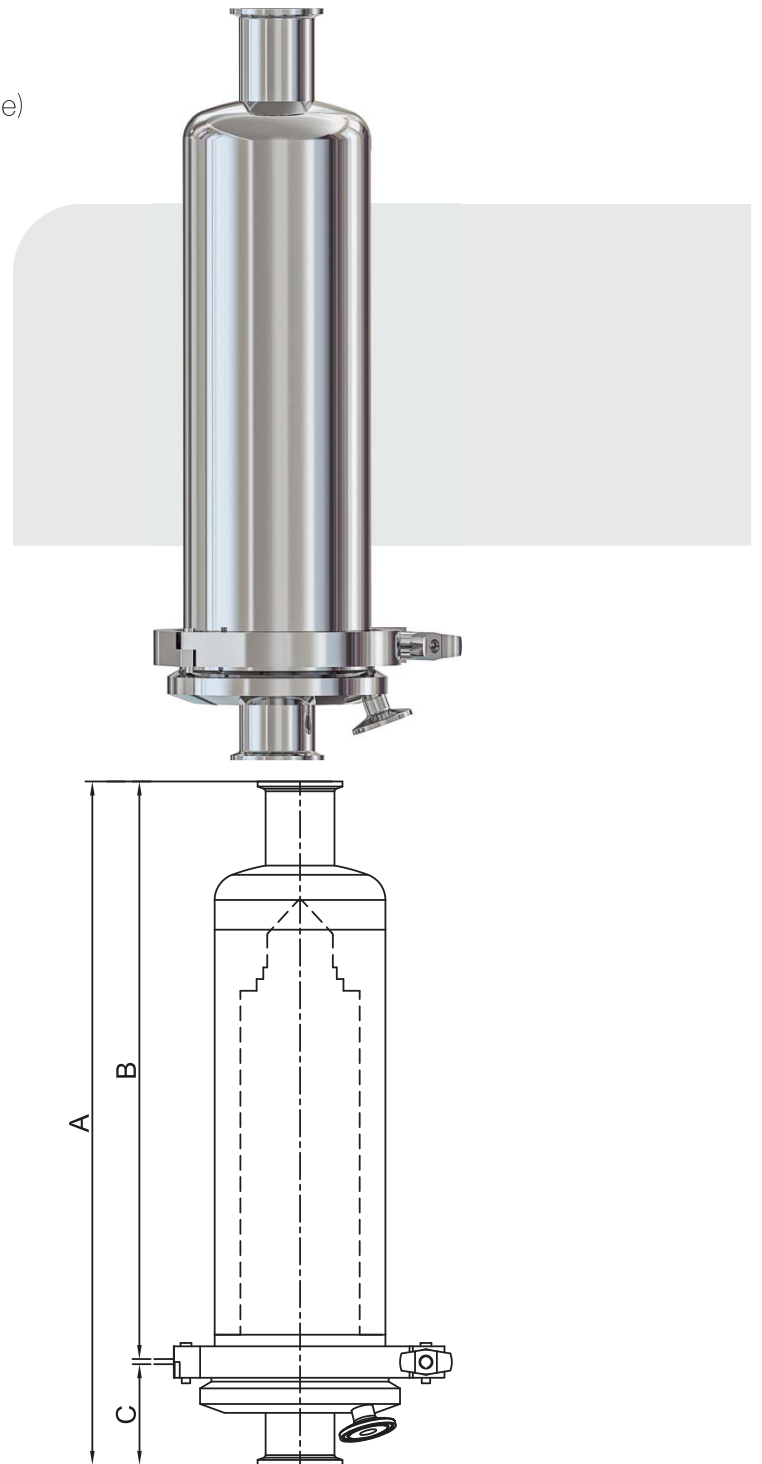


Sanitary Single Element Inline Vent Filter Housing

(Suitable for Code-7/Code-226 Cartridge)

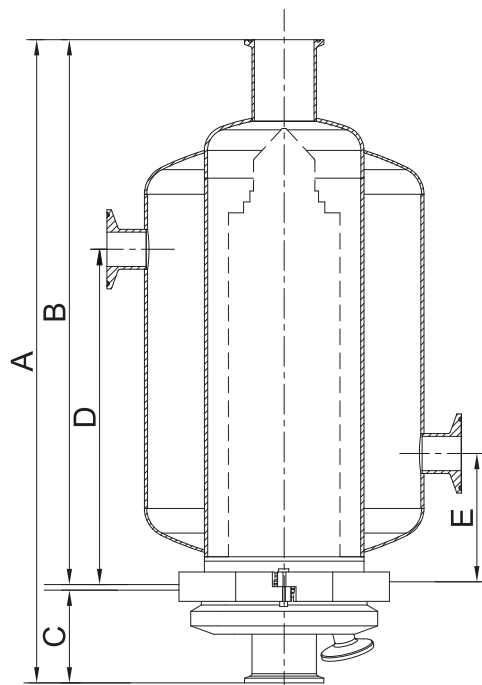
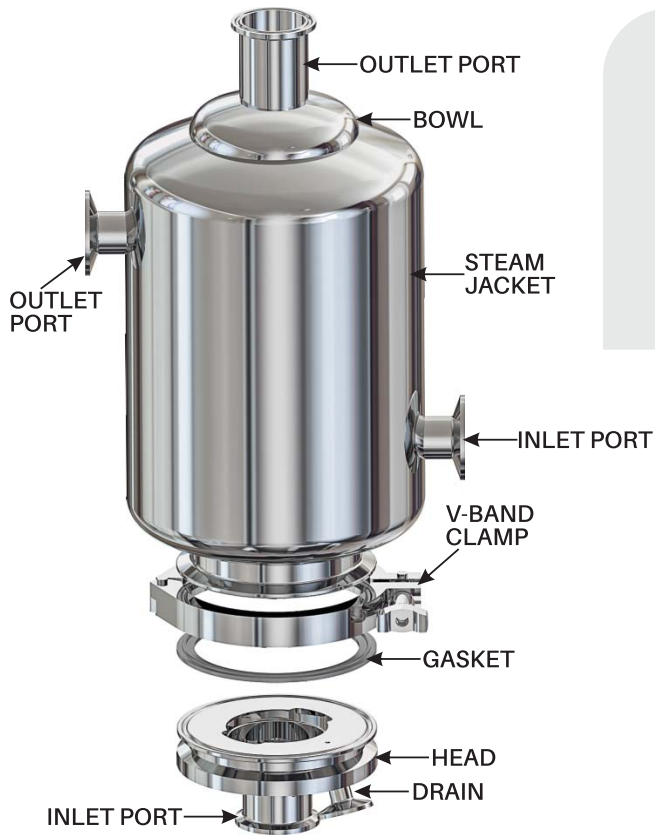


LENGTH	A	B	C	STANDARD CONNECTION
05"	356	278	75	1"
10"	481	403	75	1.5"
20"	731	653	75	2"
30"	781	903	75	3"



**Sanitary Single Element Inline Vent
Filter Housing With Steam Jacketed**

(Suitable for Code-7/Code-226 Cartridge)



LENGTH	A	B	C	STANDARD CONNECTION
05"	356	278	75	1"
10"	481	403	75	1.5"
20"	731	653	75	2" 3"



SV 40 Series



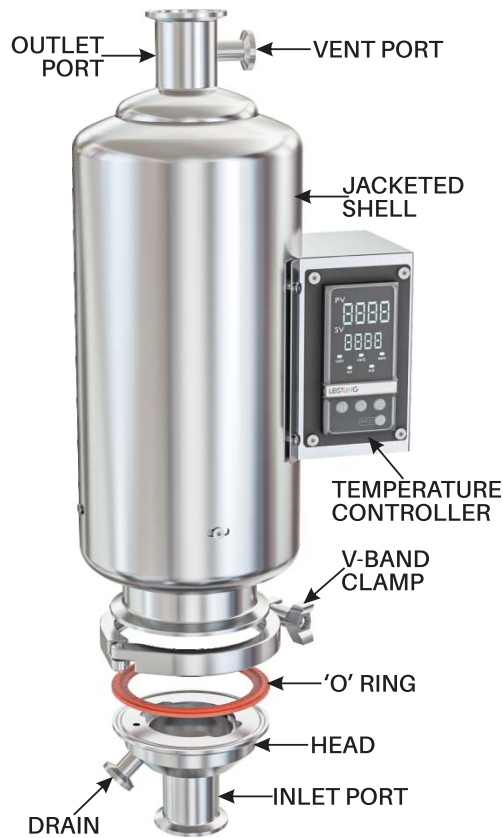
Sanitary Jacketed Vent Filter Housing With Temperature Controller

(Suitable for Code-7/Code-226 Cartridge)

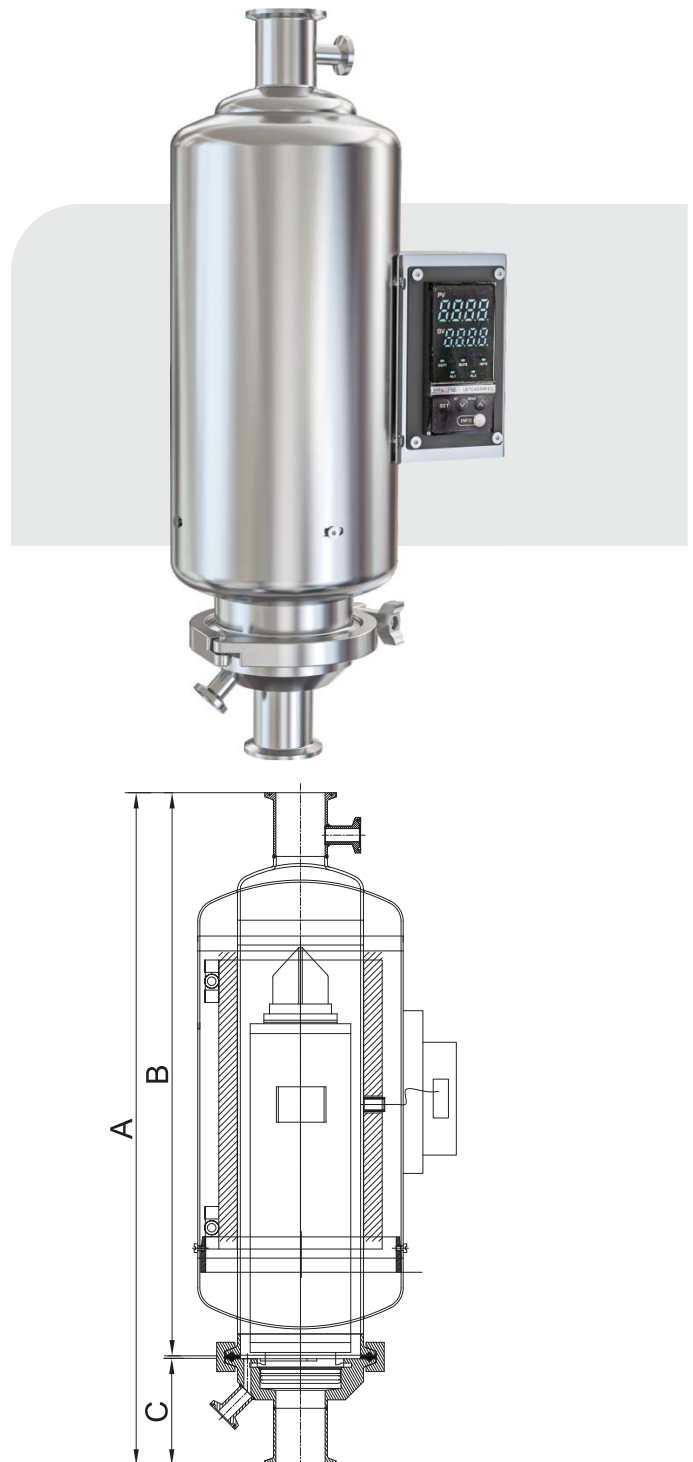
- Prevent vapour condensation in sterile vent and process filters and piping systems
- Offers tight temperature control & advance functionality while complying with strict safety regulations
- Prevent heat loss
- External surface of heater is safe to touch
- High precision IC temperature sensor
- User interface
- 3 Digital display
- 3 key MMI
- PID controller for accurately maintaining temperature

Features

- **Rated Voltage:** 100-240VAC, 50Hz
- **Power Consumption:** < 8VA
- **Working Environment:**
Ambient Temperature, 0°C-50°C/
Relative Humidity 40%-80% (No Condensation)
- **Resolution:** 0.1°C, 1°C (Adjustable)
- **Wiring Method:** Screw Terminal.
- **Accuracy:** + 0.5%FS
- **Installation Environment:** Type 2,
Pollution Grade 2 (Non-Dusty)
- **Relay Output:** AC220V/DC30V 3A
- **Communication:** Modbus RS485 2 Wire



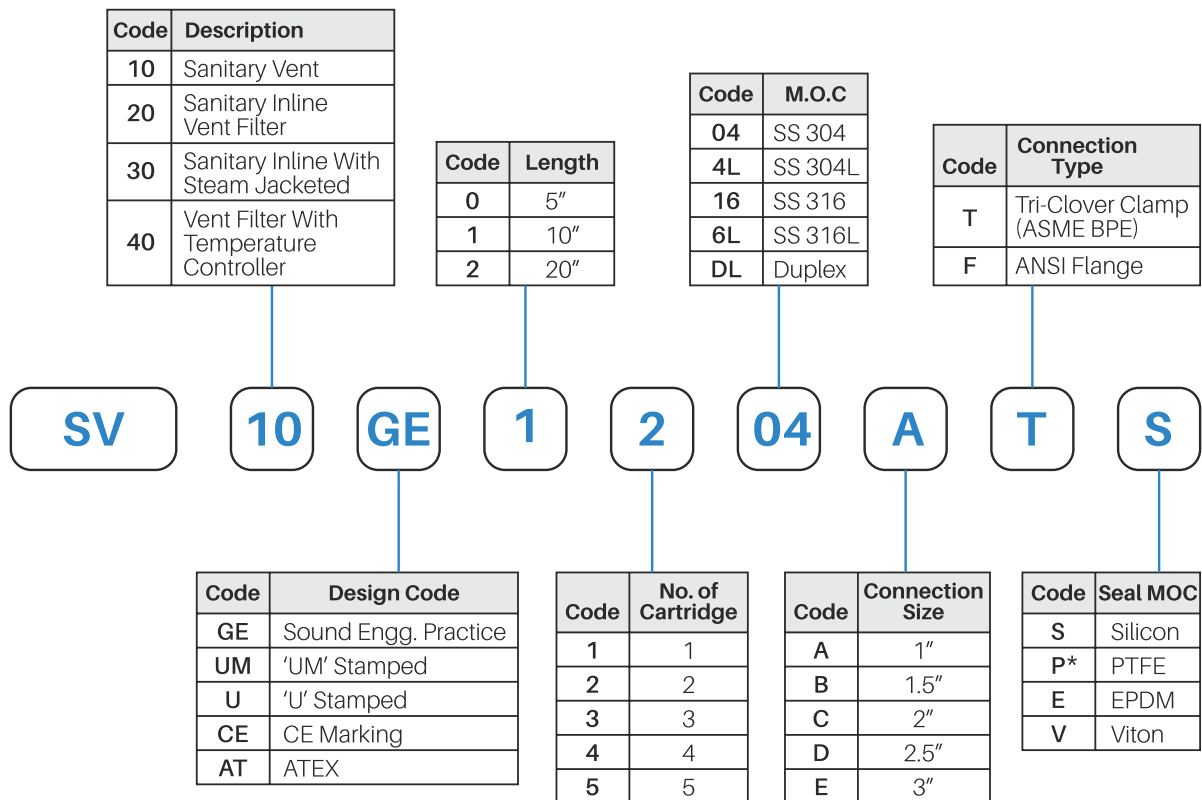
LENGTH	A	B	C	STANDARD CONNECTION
05"	350	275	75	1"
10"	470	395	75	1.5"
20"	725	650	75	2"
				3"



SV Series



Ordering Chart



- * High Pressure Vessels supplied with a double bolted clamp
- * Supplied with a double bolted clamp