

# Double Open Ended (DOE) Type Cartridge Filter Housing (ID Series)

LEISTUNG



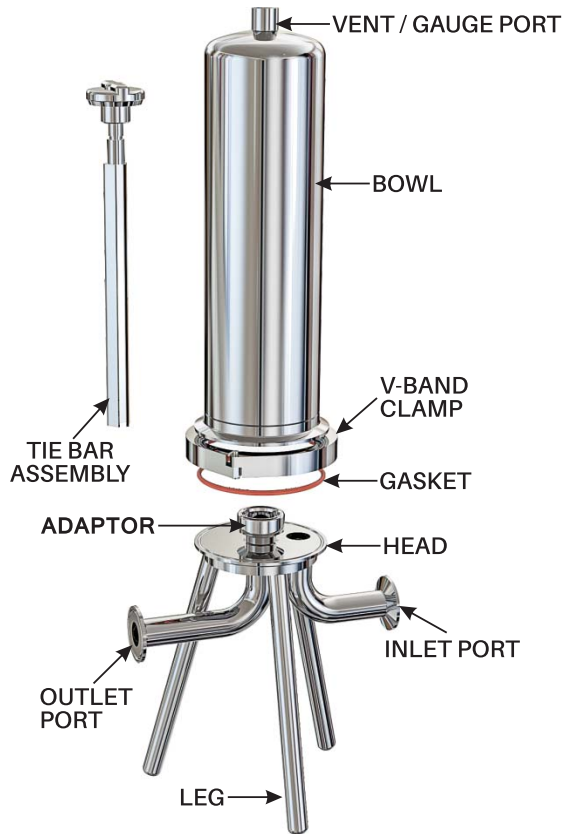
## Double Open Ended Cartridge Filter Housing (ID Series)

- Designed to fit DOE filter cartridge with knife edge seal and tie rod which provides an efficient seal between housing and filter cartridge
- Variety of inlet and outlet connections
- High security, quick action cartridge changes out
- Operator friendly V-band clamp housing closure simplifies handling
- Low pressure drop
- Leistung's DOE cartridge filter housing is ideally suited for various industries.
- Filter housing is constructed of shell, heads, cartridge holding plate, tie-rods and positive sealing arrangement for cartridge and choice of end connections. Knife edge / crushed seal fitting is provided to ensure complete isolation of filtered media.
- Contaminated fluid enters the housing and is distributed evenly around the filter cartridges. Filtration takes place from outside to inside. Solid is collected on the outside of filter cartridge and clear filtrate collected at outlet.
- The Leistung multi DOE series housing is versatile in-line filter housing is ideally suited for application and processes where hold-up minimization is essential. They are also helpful in reducing pipeline.

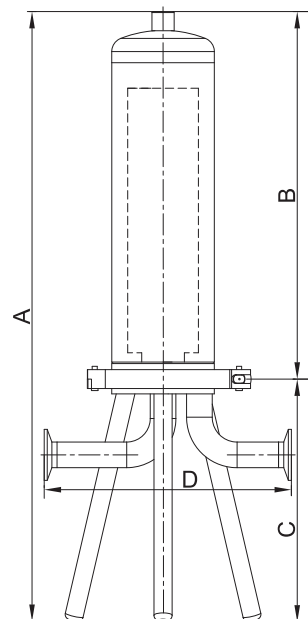
Technical Data	
No. of Cartridges	Single to Multi *
Cartridge Length	10", 20", 30", 40"
Flow Rate	Up to 1000 m <sup>3</sup> /hr *
Cartridge Fitment	Tie Rod
Design Code	Good Engineering Practice, ASME section VIII Division 1, CE-PED, ATEX
MOC	MS, CS, SS - 304, 304L, 316, 316L, Duplex 2205 *
Pressure Rating	1 - 15 bar *
Temperature Rating	-25°C to +150°C *
Connection Size	¾" - 20" *
Connections	Flange, V-Band (Hygienic) Clamp, Socket
Vessel Closure	V-Band Clamped, C - Clamp closure, Eye Bolt & nut type closure
Sealing Material	EPDM, Silicon, PTFE, Viton
Lifting Device	Davit Arm, Lifting Lug, Lifting Handle, Spring Loaded
Vessel Support	Legs, Skirt
Surface Finish	Matt Finish, Mirror Finish
Optional Finish	Electro Polish, Rubber/GRE & PTFE Lining/ Coating or Paint
Accessories (Optional)	Pressure Gauge, Vent Valve, Drain Valve, D.P. Gauge
Coded Vessel (Optional)	ASME 'U' Stamp, 'UM' Stamp, 'R' Stamp, CE Marking, ATEX Marking

\* Customization in design available on request

Single Element Double Open Ended (DOE) Filter Housing



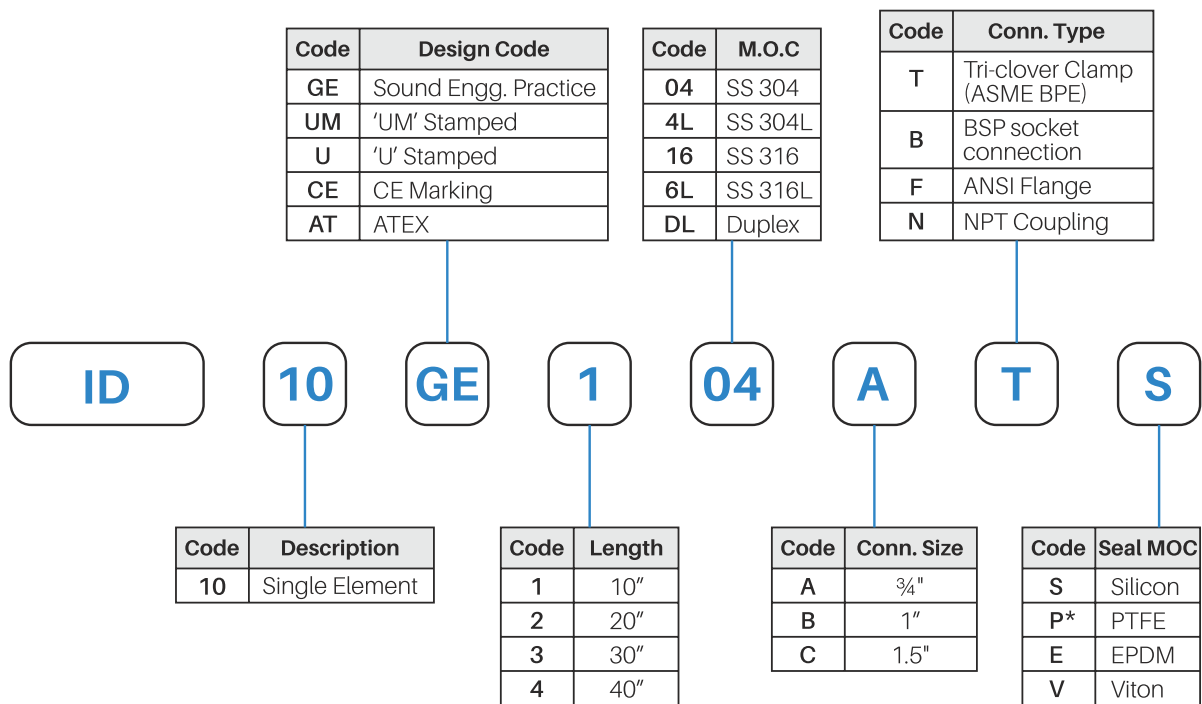
LENGTH	A	B	C	D	STANDARD CONNECTION
10"	600	365	235	250	3/4" 1" 1.5"
20"	850	615	235	250	
30"	1100	854	235	250	
40"	1350	1115	235	250	



# ID 10 Series

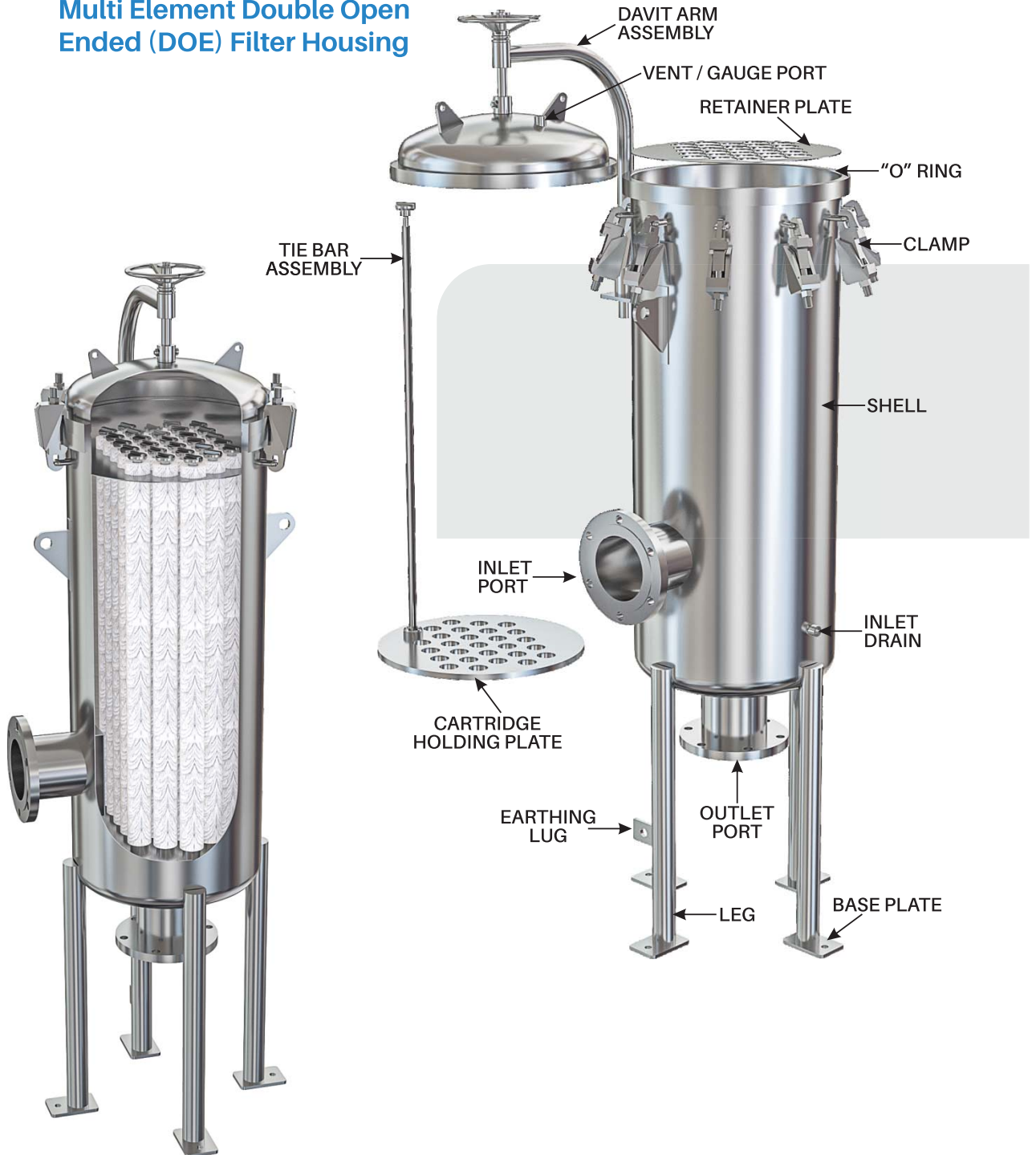


## Ordering Chart



- \* High Pressure Vessels supplied with a double bolted clamp.
- \* Supplied with a double bolted clamp.

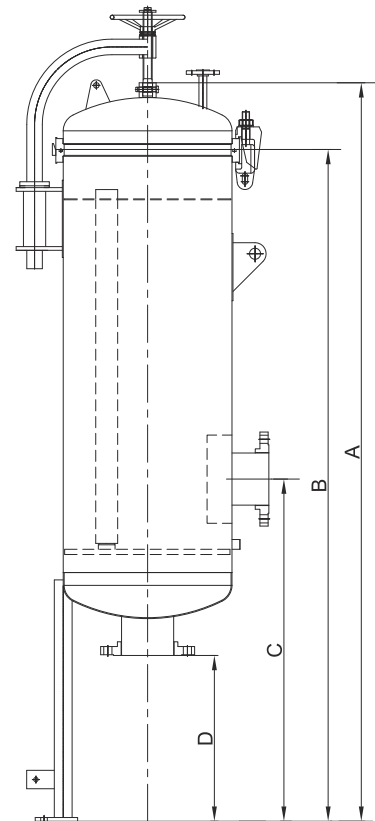
Multi Element Double Open Ended (DOE) Filter Housing



# ID 20 Series

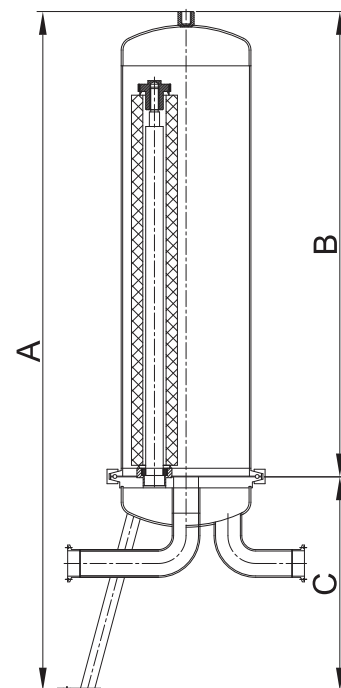
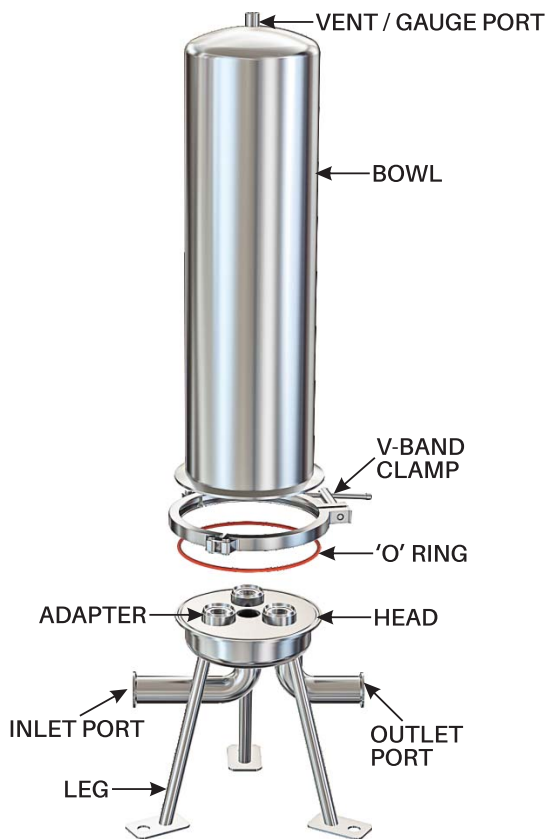


LENGTH	MAX. NO. OF CARTRIDGE	A	B	C	D	STANDARD CONNECTION
30"	03 NOS.	1411	1325	596	282	1.5", 2"
40"		1665	1579	596	282	
30"	06 NOS.	1480	1379	654	320	1.5", 2", 2.5"
40"		1734	1633	654	320	
30"	09 NOS.	1526	1414	689	345	2", 2.5", 3"
40"		1780	1668	689	345	
30"	13 NOS.	1548	1424	695	345	2", 2.5", 3"
40"		1802	1678	695	345	
30"	17 NOS.	1621	1487	783	401	2.5", 3", 4"
40"		1875	1741	783	401	
30"	19 NOS.	1697	1542	858	450	3", 4", 5"
40"		1951	1796	858	450	
30"	26 NOS.	1750	1569	928	450	3", 4", 5"
40"		2004	1823	928	450	
30"	34 NOS.	1827	1639	967	514	4", 5", 6"
40"		2081	1893	967	514	
30"	39 NOS.	1951	1756	1160	625	5", 6", 8"
40"		2205	2010	1160	625	
30"	46 NOS.	2020	1791	1195	625	5", 6", 8"
40"		2274	2045	1195	625	



\* Customization in design available on request

**Multi Element Double Open Ended (DOE)  
Inline Filter Housing with Bottom Dish**



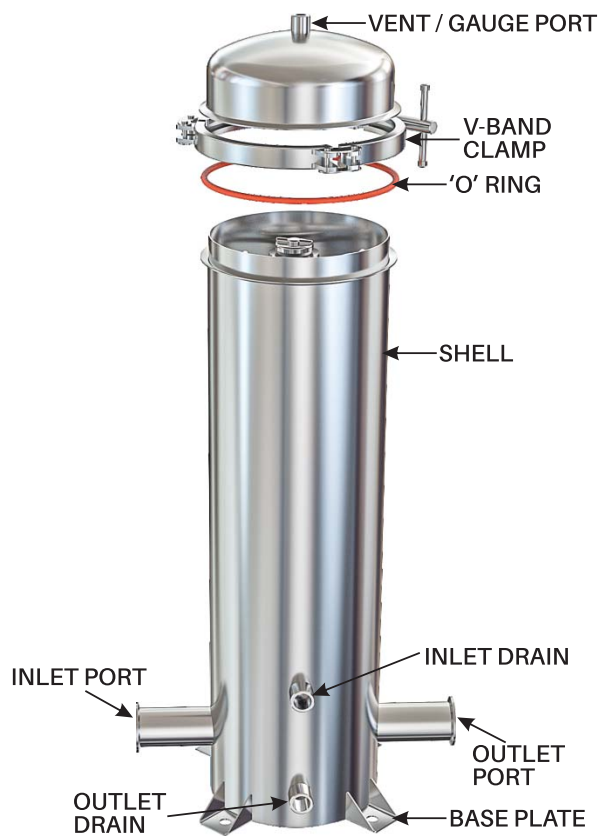
LENGTH	A	B	C	STANDARD CONNECTION
20"	935	640	294	1", 1.5",
30"	1190	894	294	2", 2.5"
40"	1444	1148	294	3", 4"

\* Customization in design available on request

# ID 40 Series

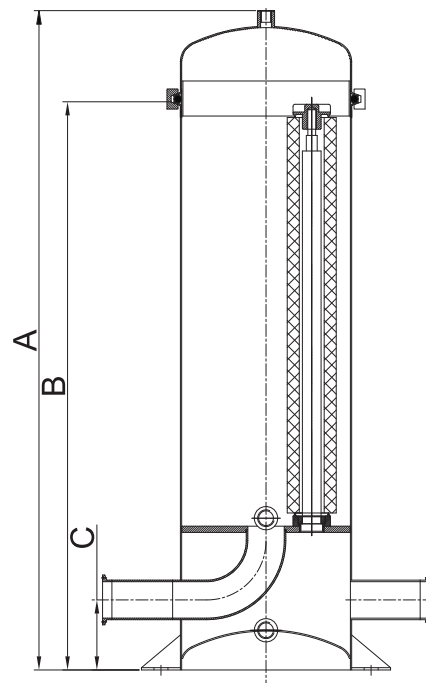


## Multi Element Double Open Ended (DOE) In-line Filter Housing with Flat Head



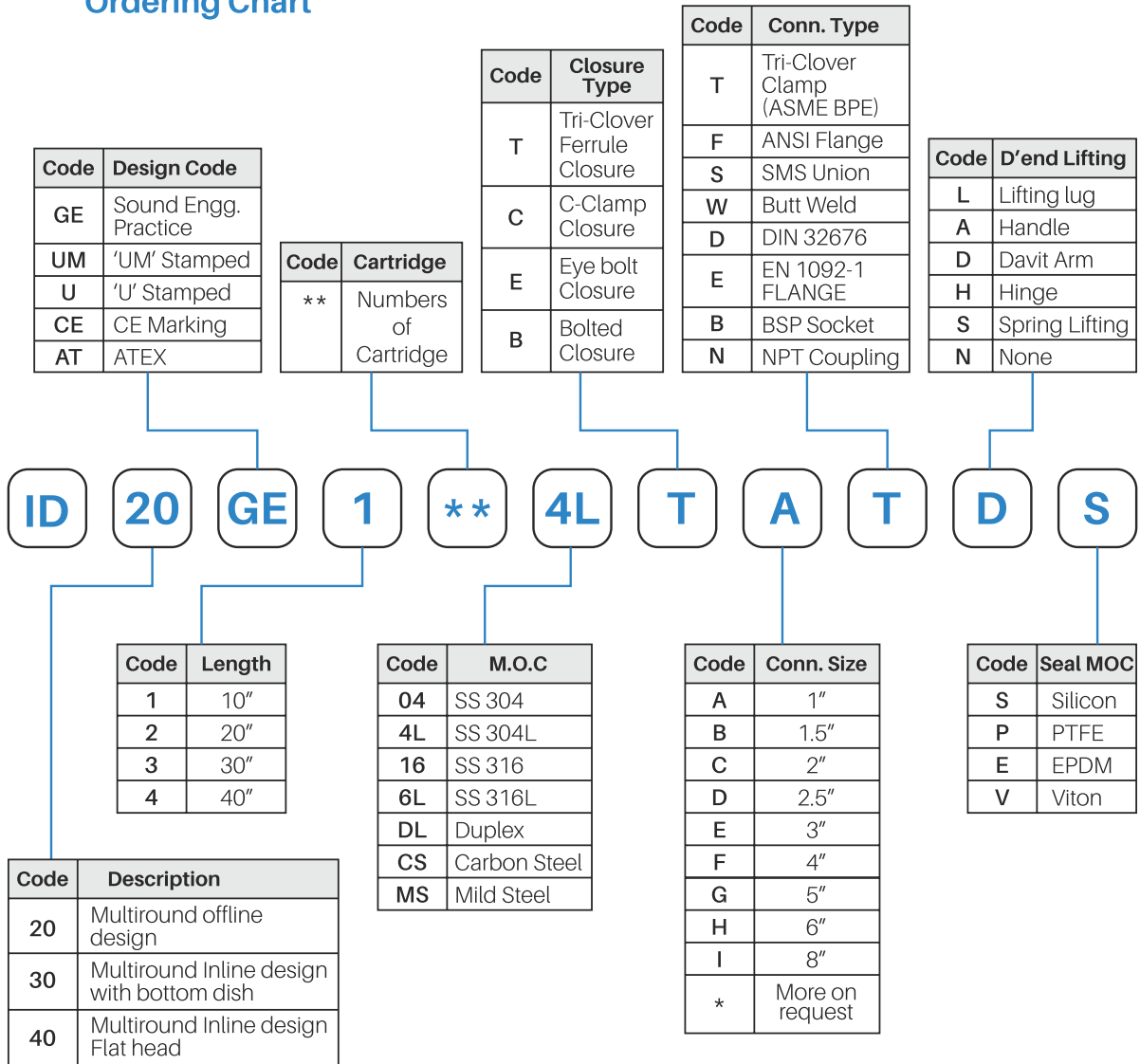
LENGTH	MAX. NO. OF CARTRIDGE	A	B	C	STANDARD CONNECTION
20"	03 NOS.	810	700	90	1", 1.5"
30"		1060	950	90	2", 2.5"
40"		1320	1205	90	3", 4"
20"	06 NOS.	850	730	90	1", 1.5"
30"		1100	980	90	2", 2.5"
40"		1350	1230	90	3", 4"

\* Customization in design available on request





Ordering Chart



\* Customised design with more number of cartridges and connection are available.