

# Single Open Ended (SOE) Type Cartridge Filter Housing (SO Series)

LEISTUNG



## Single Open Ended Cartridge Filter Housing (SO Series)

- Bevelled housing tube sheet and aseptic style housing seal provides enhanced drainability and a crevice free connection between the housing head and bowl.
- Mirror-polished head and elbows and mirror-polished bowl ensure optimal cleanability in critical areas while maintaining cost effectiveness
- Operator friendly V-band clamp housing closure simplifies handling
- Low pressure drop
- Leistung's SOE cartridge filter housings are ideally suited for various industries. Filter housing is constructed of shell, tube sheet, positive sealing arrangement for cartridge and choice of end connections
- Compression seal fitting is provided to ensure complete isolation of filtered media
- Contaminated fluid enters the housing and is distributed evenly around the filter cartridges. Filtration takes place from outside to inside. Solids are collected on the outside of filter cartridge and clear filtrate collected at outlet
- Leistung's Single Open End Type Cartridge Filter Housings are available in single round and multi round options.

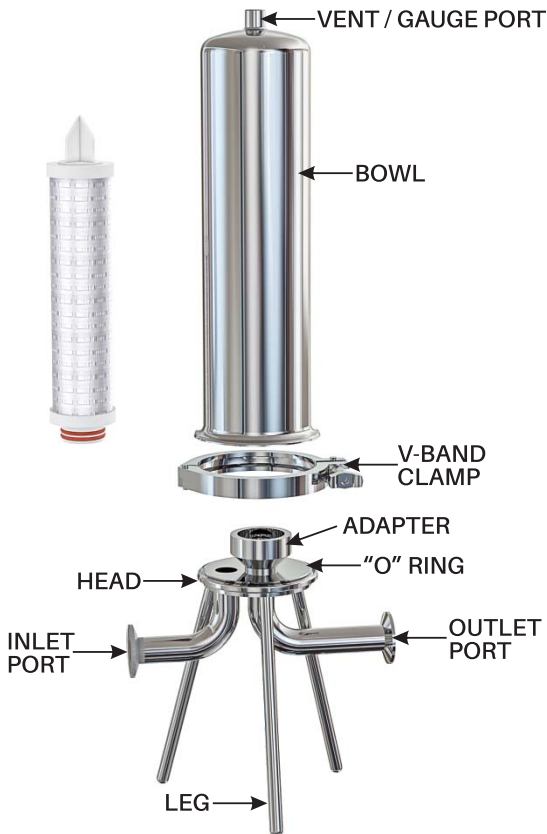
Technical Data	
No. of Cartridges	Single to Multi *
Cartridge Length	10", 20", 30", 40"
Flow Rate	Up to 1000 m <sup>3</sup> /hr *
Cartridge Fitment	Plug - in
Design Code	Good Engineering Practice, ASME section VIII Division 1, CE-PED, ATEX
MOC	CS, SS - 304, 304L, 316, 316L, Duplex 2205 *
Pressure Rating	1 - 15 bar *
Temperature	-25°C to +150°C *
Connection Size	¾" - 20" *
Connections	Flange, V-Band (Hygienic) Clamp, Socket
Vessel Closure	V-Band Clamped, C - Clamp closure, Eye Bolt & nut type closure
Sealing	EPDM, Silicon, PTFE, Viton
Lifting Device	Davit Arm, Lifting Lug, Lifting Handle, Spring Loaded
Vessel Support	Legs, Skirt
Surface Finish	Mirror Finish, Matt Finish
Optional Finish	Electro Polish, Rubber / GRE / PTFE Lining/ Coating or Paint
Accessories (Optional)	Pressure Gauge, Vent Valve, Drain Valve, D.P. Gauge
Coded Vessel (Optional)	ASME 'U' Stamp, 'UM' Stamp, 'R' Stamp, CE Marking, ATEX Marking.

\* Customization in design available on request

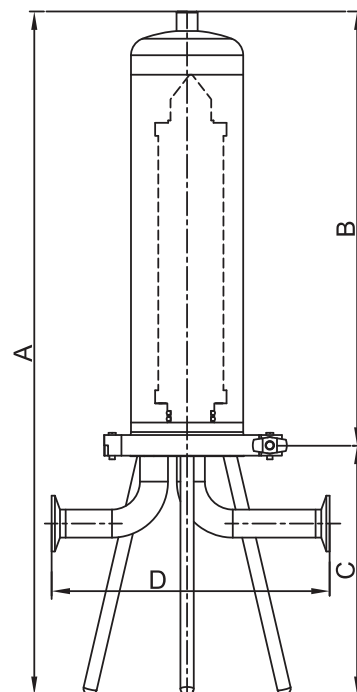
# SO 10 Series



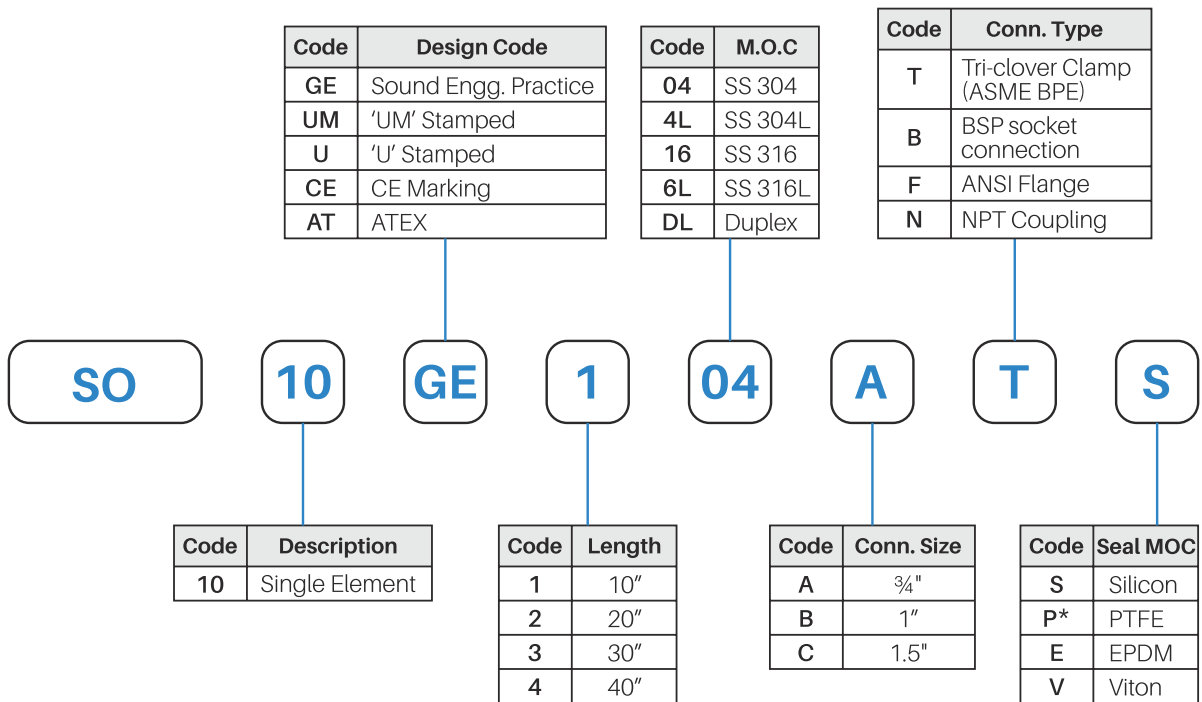
## Single Element Single Open Ended (SOE) Filter Housing



LENGTH	A	B	C	D	STANDARD CONNECTION
10"	640	400	240	250	3/4" 1" 1.5"
20"	890	615	240	250	
30"	1140	900	240	250	
40"	1390	1150	240	250	



Ordering Chart

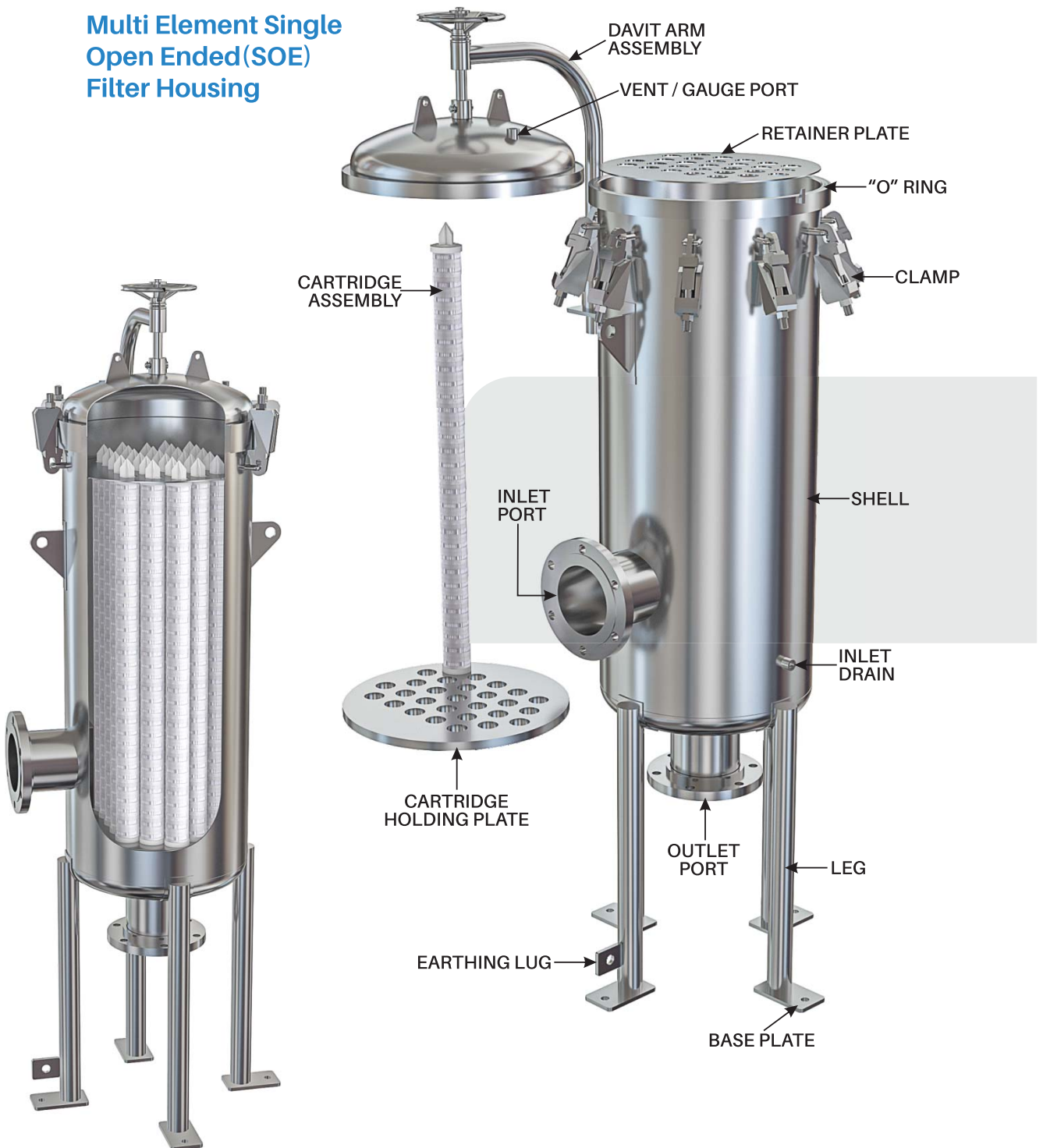


- \* High Pressure Vessels supplied with a double bolted clamp.
- \* Supplied with a double bolted clamp.

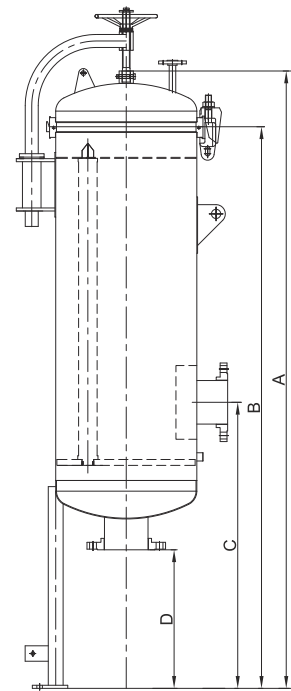
# SO 20 Series



## Multi Element Single Open Ended (SOE) Filter Housing



LENGTH	MAX. NO. OF CARTRIDGE	A	B	C	D	STANDARD CONNECTION
30"	03 NOS.	1438	1352	596	282	1.5", 2"
40"		1665	1579	596	282	
30"	06 NOS.	1506	1406	654	320	1.5", 2", 2.5"
40"		1760	1660	654	320	
30"	09 NOS.	1551	1439	689	345	2", 2.5", 3"
40"		1805	1693	689	345	
30"	13 NOS.	1572	1449	710	345	2", 2.5", 3"
40"		1826	1703	710	345	
30"	17 NOS.	1646	1512	793	401	2.5", 3", 4"
40"		1900	1766	793	401	
30"	19 NOS.	1715	1561	858	450	3", 4", 5"
40"		1969	1815	858	450	
30"	26 NOS.	1776	1595	929	450	3", 4", 5"
40"		2030	1849	929	450	
30"	34 NOS.	1837	1649	973	514	4", 5", 6"
40"		2091	1903	973	514	
30"	39 NOS.	1975	1780	1160	625	5", 6", 8"
40"		2229	2034	1160	625	
30"	46 NOS.	2043	1814	1195	625	5", 6", 8"
40"		2297	2068	1195	625	

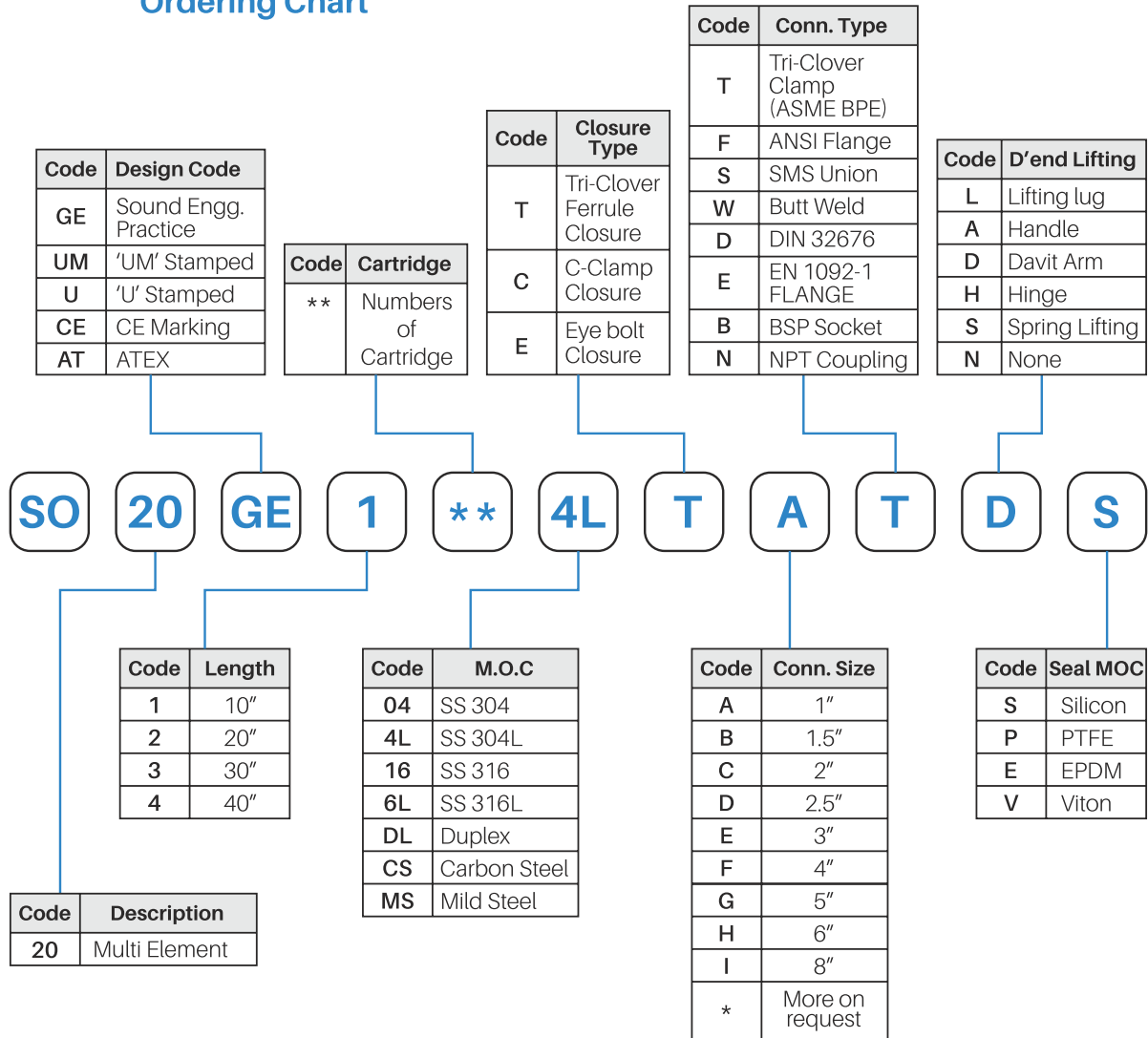


\* Customization in design available on request

# SO 20 Series



## Ordering Chart



\* Customised design with more number of cartridges and connection are available.