

# Bag Filter Housing (BF Series)



# BF Series



## Bag Filter Housing (BF Series)

- High flow rate at minimum pressure drop
- Compression sealing arrangement to avoid bypassing
- Easy to operate & low maintenance • Quick & simple changeover of bags
- Various connection options in inlet, outlet, vent and drain, pressure gauge available
- Covers are 'O'-ring sealed • Various surface finish options for inside as well as outside available
- Leistung's bag filtration system is designed for optimum filtration performance
- Housing is constructed of shell, filter bag, internal cage to support bag, positive sealing arrangement & choices of end connection.
- The internal support ensures bags will not burst as high differential pressure builds up during operation.
- Normally, the filtration is from inside to out through the bag filter media. Contaminant removed from the liquid are retained inside the bag making change over and disposal simple.
- Leistung's single bag & multiple bag series housings are versatile bag filter housing. They are ideally suited for vast number of applications.

### Single bag filter housing:

- Economically priced
- Bolted or V-Band clamped vessel closure

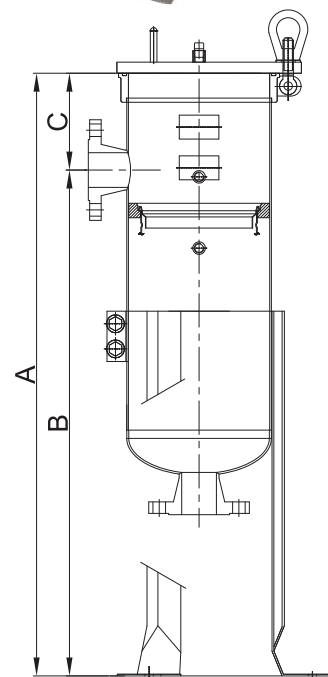
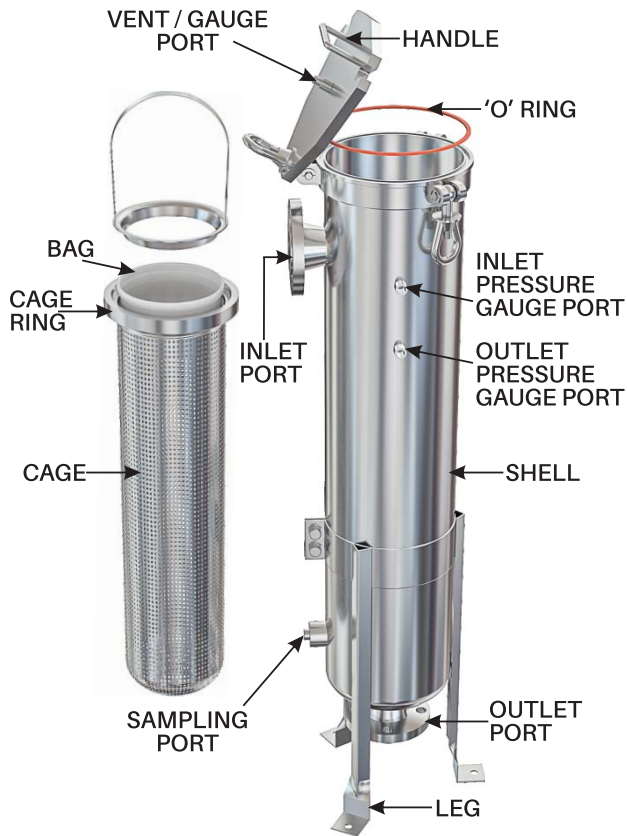
### Multiple bag filter housing:

- Up to 24 bags per vessel means high flow rates & less downtime for bag change.
- Bolted, C-clamp styled clamped and Eye-bolt type vessel closure.
- Quick opening type closure with auto venting special feature available.

Technical Data	
No. of Bags	Up to 24 bags *
Bag Sizes	Ø4"x10", Ø4"x20", Ø7"x16", Ø7"x32"
Flow Rate	Up to 600 m <sup>3</sup> /hr *
Design Code	Good Engineering Practice, ASME section VIII Division 1, CE-PED, ATEX
MOC	CS, SS - 304, 304L, 316, 316L, Duplex 2205 *
Pressure Rating	1 - 15 bar *
Temperature Rating	-25°C to +121°C *
Connection Size	1" - 18" *
Connections	Flange, V-Band (Hygienic) Clamp, Socket
Vessel Closure	V-Band Clamped, C - Clamp closure, Eye Bolt & nut type closure, Bolted
Special Closure	Quick opening type with Auto venting design
Sealing Material	EPDM, Silicon, PTFE, Viton, BUNA-N
Lifting Device	Davit Arm, Lifting Lug, Lifting Handle, Spring Lifting
Vessel Support	Legs, Skirt, Angle
Surface Finish	Matt Finish, Mirror Finish, Glass Bead Blast
Optional Finish	Electro Polish
Accessories (Optional)	Pressure Gauge, Vent Valve, Drain Valve, D.P. Gauge
Coded Vessel (Optional)	ASME 'U' Stamp, 'UM' Stamp, 'R' Stamp, CE Marking, ATEX Marking

\* Customization in design available on request

Single Bag Filter Housing  
(Flat Head Type Closure)

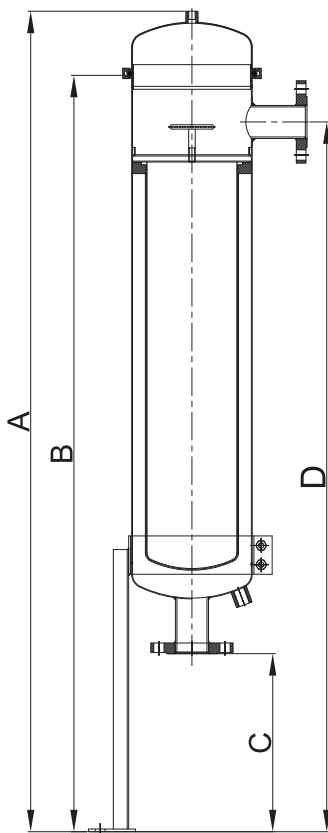


BAG SIZE	A	B	C	STANDARD CONNECTION
Ø 7" x 16"	913	766	147	1.5", 2", 2.5", 3"
Ø 7" x 32"	1195	1050	147	1.5", 2", 2.5", 3"

# BF 20 Series

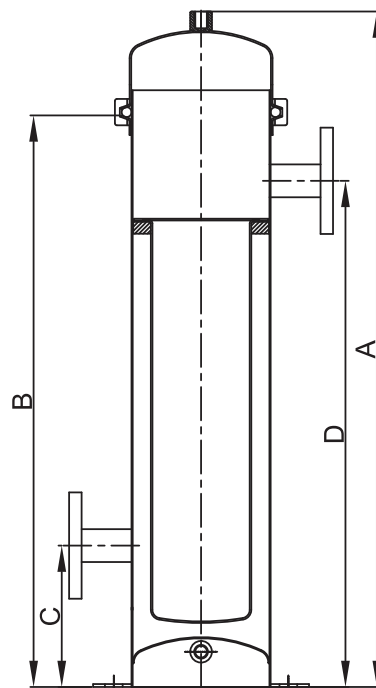
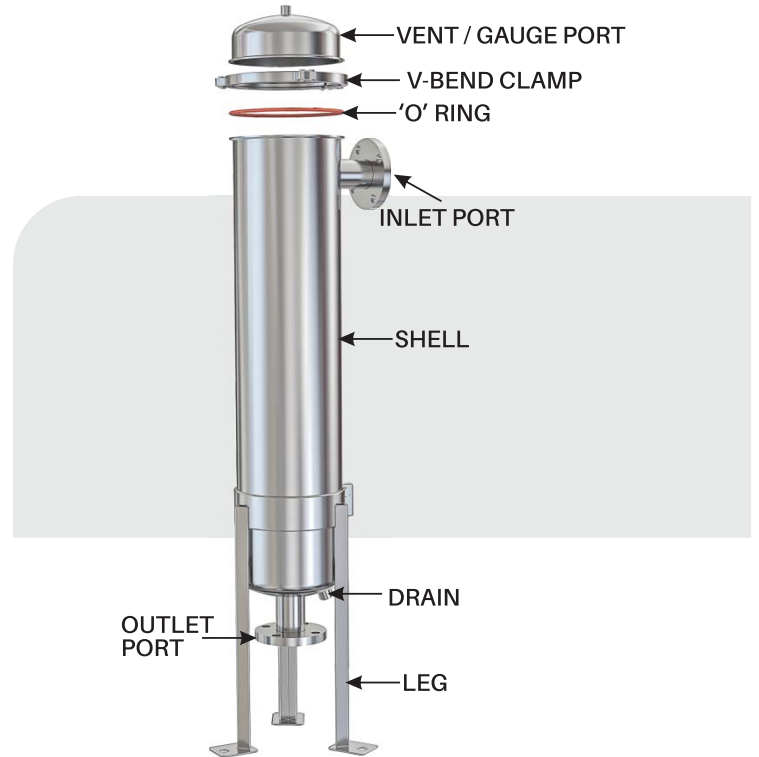


## Single Bag Filter Housing (Dished End Type Closure)



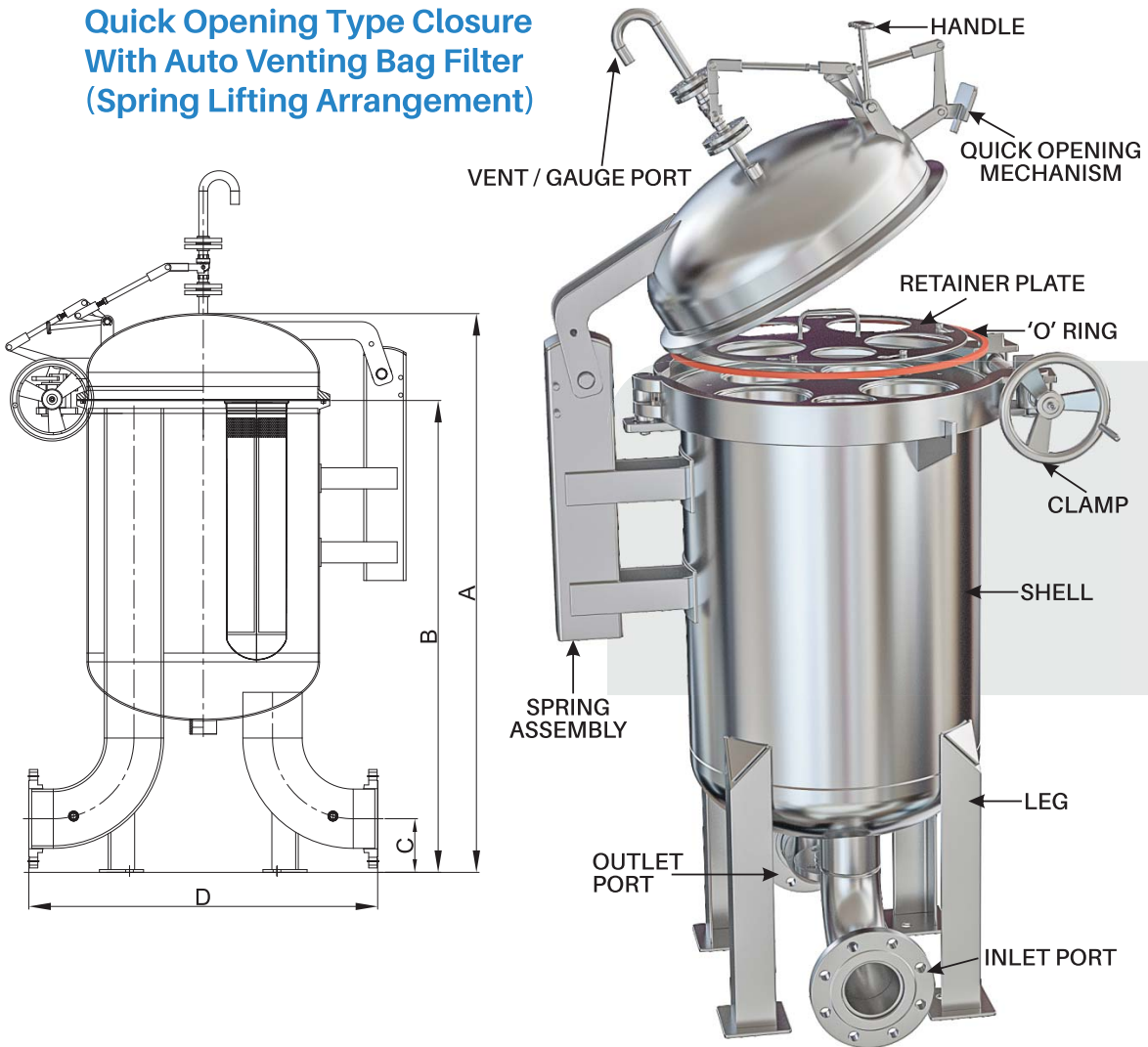
Sketch-1

BAG SIZE	A	B	C	D	STANDARD CONNECTION
Ø 4" x 10" (Sketch-2)	450	340	85	275	1", 1.5"
Ø 4" x 20" (Sketch-2)	693	595	200	520	
Ø 7" x 16" (Sketch-1)	1230	1115	325	1030	1.5", 2", 2.5", 3"
Ø 7" x 32" (Sketch-1)	1500	1380	325	1296	



Sketch-2

Quick Opening Type Closure  
With Auto Venting Bag Filter  
(Spring Lifting Arrangement)



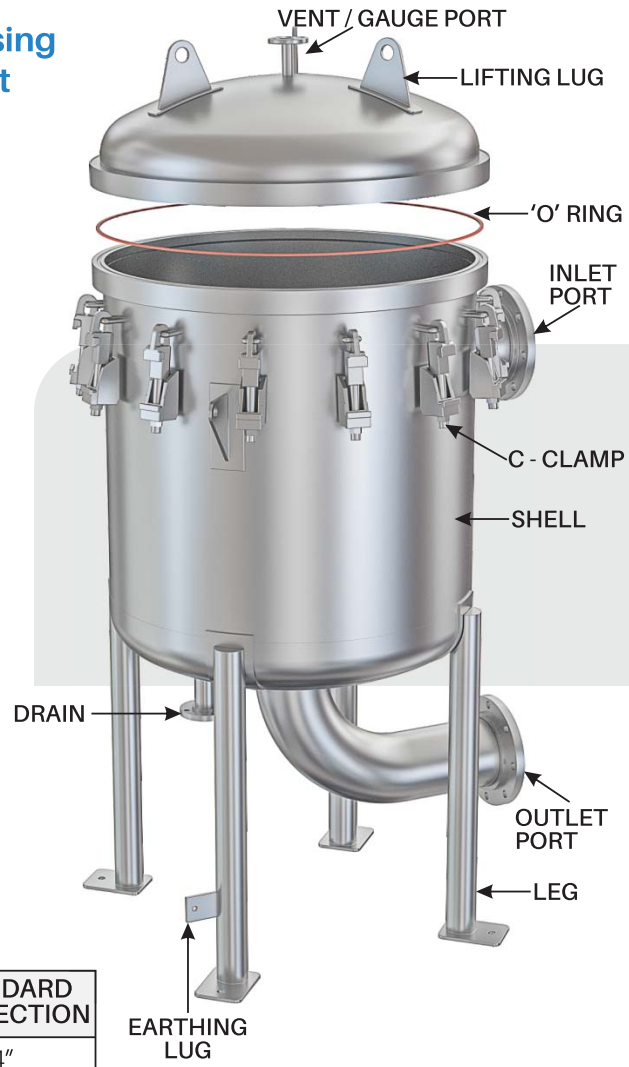
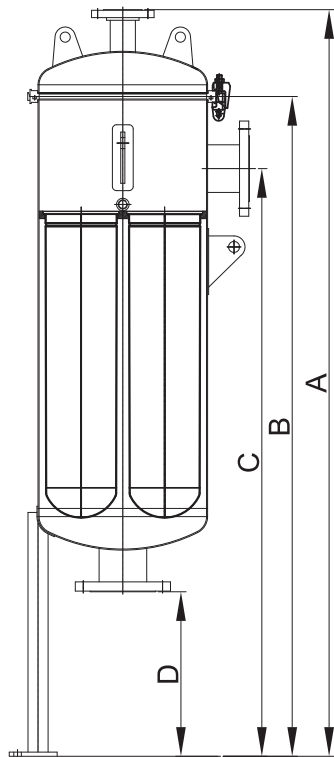
NUMBER OF BAG	A	B	C	D	STANDARD CONNECTION
04 BAGS	1390	1340	130	760	4"
06 BAGS	1590	1340	152	990	6"
08 BAGS	1545	1264	152	1016	6"
12 BAGS	1835	1445	190	1275	8"

\* Customised design with more number of bags and connection are available

# BF 40 Series



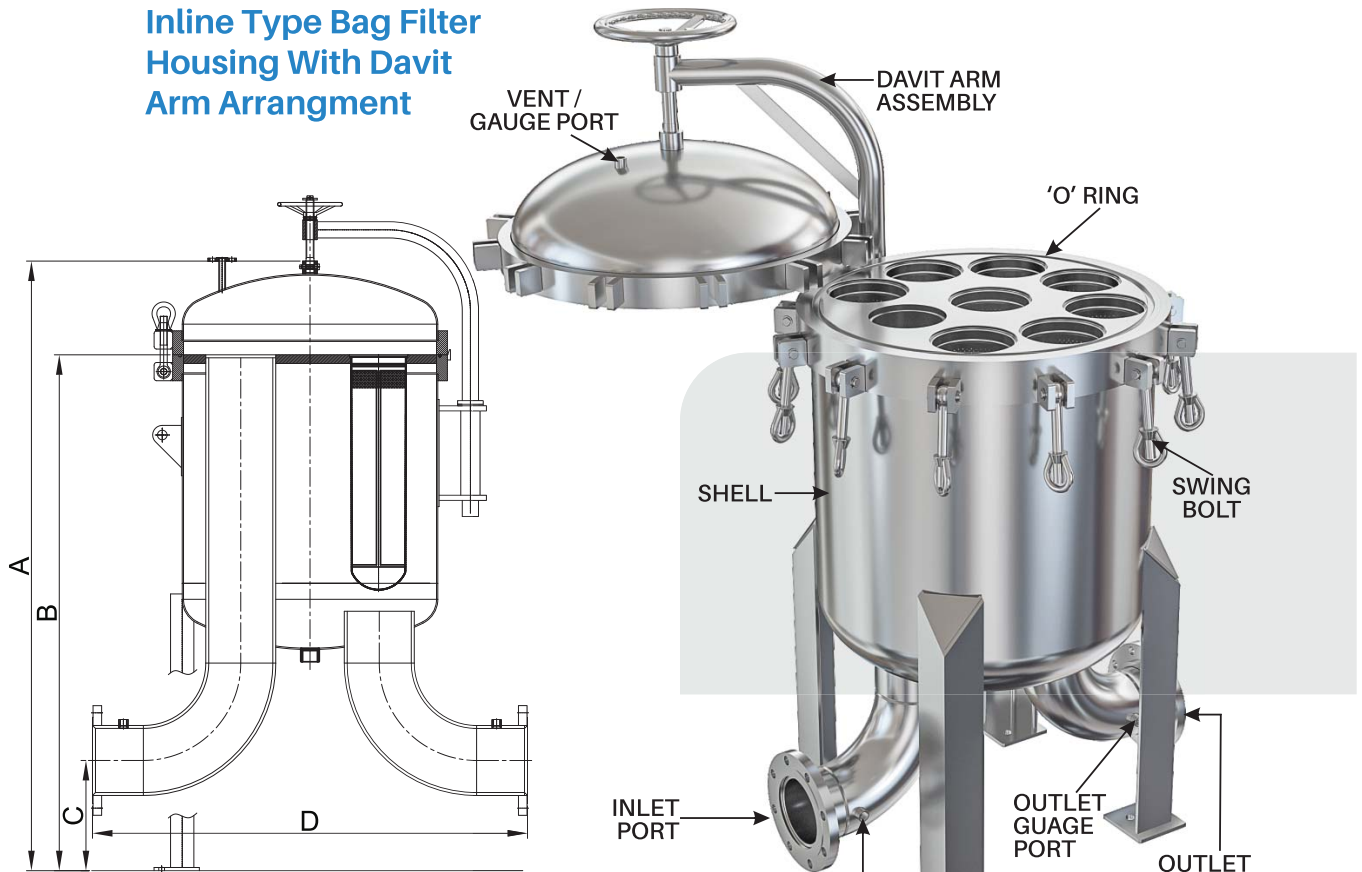
## Offline Type Bag Filter Housing With Lifting Lug Arrangement



NUMBER OF BAG	A	B	C	D	STANDARD CONNECTION
02 BAGS	1800	1590	1415	400	4"
03 BAGS	1875	1635	1430	400	4"
04 BAGS	1935	1695	1490	400	4"
05 BAGS	2120	1870	1635	500	6"
06 BAGS	2150	1880	1645	500	6"
07 BAGS	2375	2105	1795	620	8"
08 BAGS	2400	2115	1805	620	8"
09 BAGS	2420	2125	1815	620	8"
10 BAGS	2425	2130	1820	620	8"
11 BAGS	2435	2130	1825	620	8"

\* Customised design with more number of bags and connection are available

**Inline Type Bag Filter Housing With Davit Arm Arrangement**



NUMBER OF BAG	A	B	C	D	STANDARD CONNECTION
02 BAGS	1505	1320	300	850	4"
03 BAGS	1510	1320	300	905	4"
04 BAGS	1515	1320	300	920	4"
05 BAGS	1705	1465	300	1110	4"
06 BAGS	1705	1465	300	1110	6"
07 BAGS	1880	1615	345	1320	6"
08 BAGS	1890	1615	345	1365	8"
09 BAGS	1900	1615	345	1420	8"
10 BAGS	1900	1615	345	1420	8"
11 BAGS	1915	1615	345	1475	8"
12 BAGS	2060	1755	345	1625	10"

\* Customised design with more number of bags and connection are available

# BF Series



## Types of closure



Eye Bolt & Eye Nut Type Closure



C-Clamp Type Closure



Quick opening Type Closure



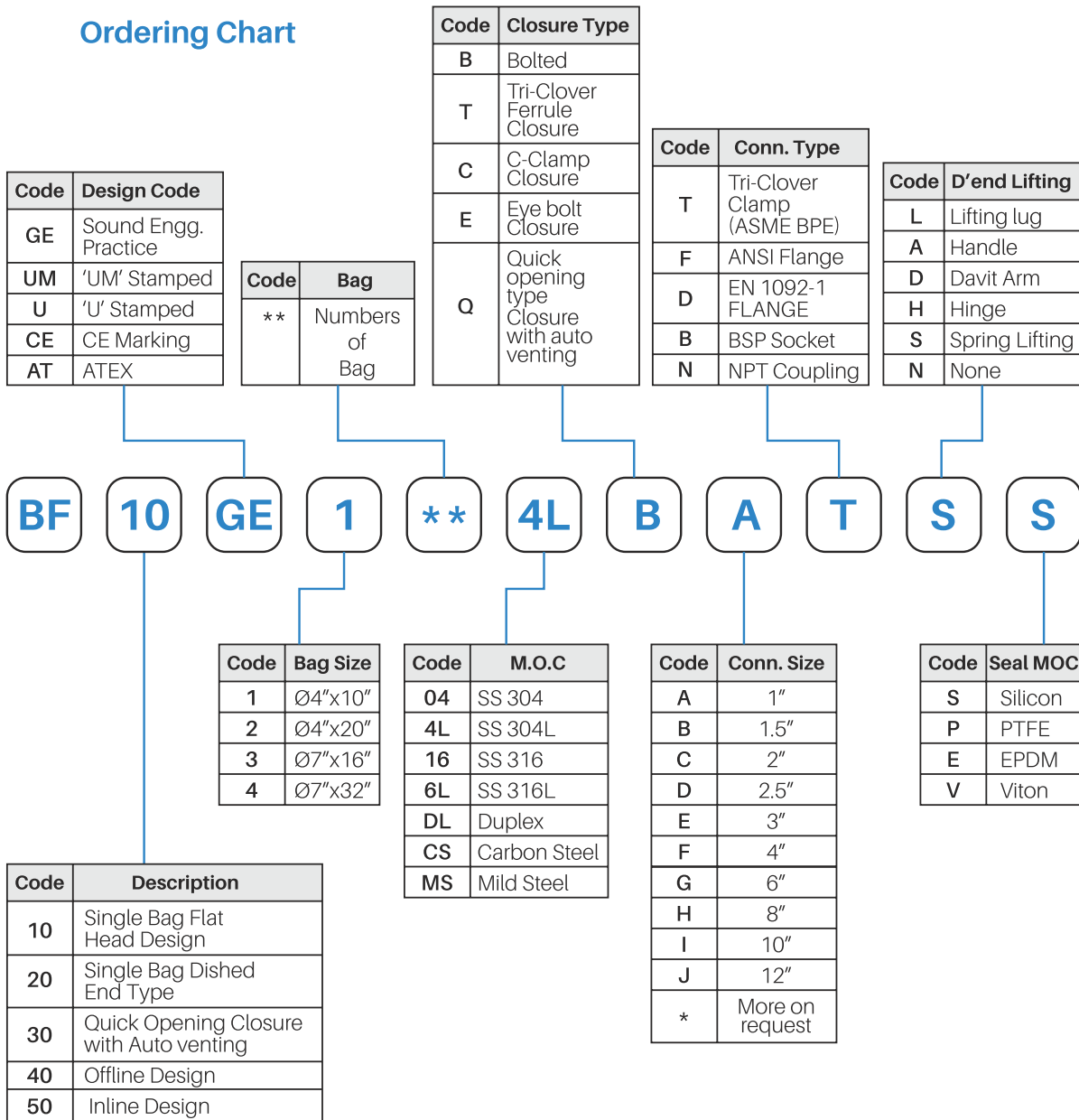
Tri-Clover Type Closure



Bolted Type Closure



Ordering Chart



\* Customised design with more number of bags and connection are available.