

# Strainer Filter Housing (ST Series)

LEISTUNG



## Strainer Filter Housing

- Large filtration area for greater dirt holding capacity
- Quick opening cover
- Low pressure drop
- Housing can be permanently piped
- Covers are O-ring sealed
- Particle retention down to 23micron size
- Easy to clean
- Various surface finish options for inside as well as outside available
- Leistung's high capacity & low cost basket strainer housing effectively removes dirt, pipe scale & other contaminants from process liquids such as water chemical & petroleum products. They are constructed of outer body, filter element supported with perforated cage, positive sealing arrangement & choice of end connections.
- Unfiltered liquid enters the housing outside the strainer and passes down through them. Solids are contained outside the strainer where they are easily and completely removed when the unit is serviced. A mechanical device with threaded center rod is provided to hold the strainer against a positive stop in the housing. It helps preventing bypassing of unfiltered liquid.
- Strainer housings range from single strainer housing, multi strainer housing, Inline strainer housing, duplex strainer housing, back washable strainer housing and dual stage strainer housing.

### Single strainer housing:

Strainer elements are in cartridge design enabling reverse flow and easy back washing.

### Multi strainer housing:

- a) Wide range of flow capacities & contaminant holding capabilities.
- b) Housing having capacity from 2 to 16 strainers.

### Inline strainer housing:

Inline arrangement of inlet-outlet connections and specially designed strainer allows for installation of strainer housing directly in pipeline, eliminating requirement of any elbows.

### Duplex strainer housing:

Unique design of placing a second strainer parallel to primary strainer to enable continuous use of either strainer when servicing of one of them is taking place.

### Back washable strainer housing:

- a) Suitable for high speed flow, low viscosity fluid filtering.
- b) Facilitates cleaning of strainer without removing.

### Dual stage strainer housing:

- c) Increase life of strainer housing & reduce servicing needs.
- d) Placement of second strainer on the top flange of the regular strainer.

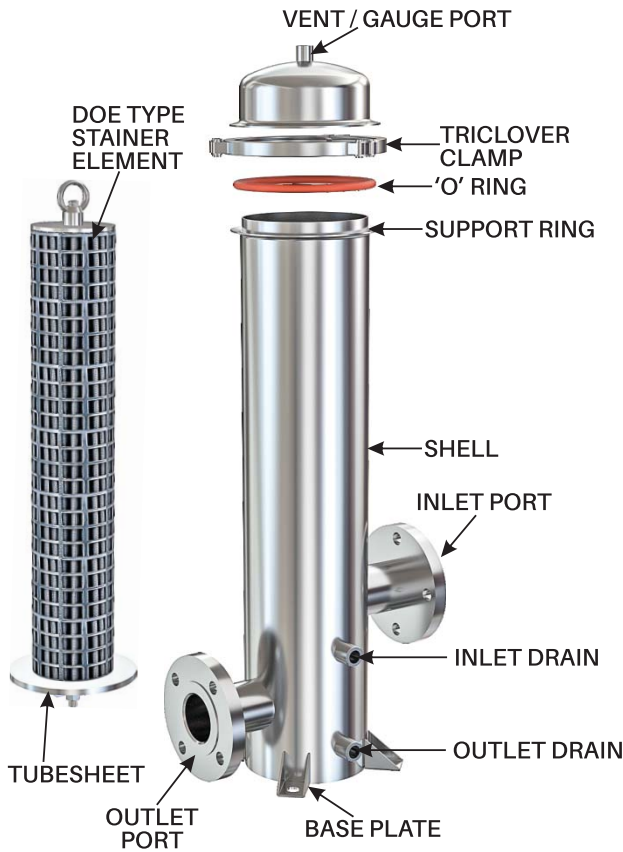
# ST Series



Technical Data	
Flow Rate	Up to 800 m <sup>3</sup> /hr *
Design Code	Sound Engineering Practice, ASME section VIII Division 1, CE-PED, ATEX
MOC	SS 304, 304L, 316,316L, Duplex, CS, MS *
Pressure Rating	1 - 10 bar, more on request *
Temperature Rating	-25°C to +65°C, more on request *
Connection Size	1" - 16" *
Connections	Flange, V-Band (Hygienic) Clamp, Socket
Vessel Closure	V-Band Clamped, C - Clamp closure, Eye Bolt & nut type closure
Sealing material	Silicon, EPDM, Viton, PTFE *
Lifting Device	Davit Arm, Lifting Lug, Lifting Handle, Spring Loaded
Vessel Support	Legs, Skirt
Surface Finish	Mirror Finish, Matt Finish
Optional Finish	Electro Polish, Rubber / Lining, Paint
Accessories (Optional)	Pressure Gauge, Vent Valve, Drain Valve, D.P. Gauge
Coded Vessel (Optional)	ASME 'U' Stamp, 'UM' Stamp, 'R' Stamp, CE Marking, ATEX Marking

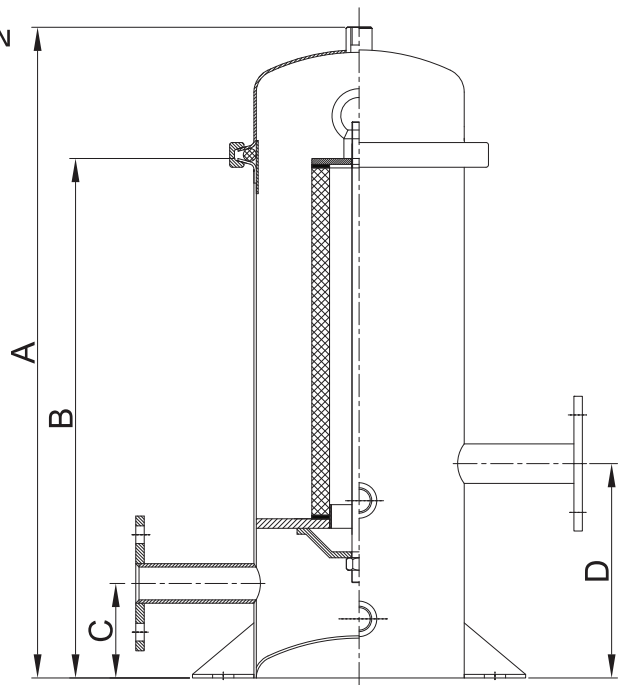
\* Customization in design available on request.

DOE type Strainer Element Filter Housing



SIZE	A	B	C	D	STD. CONN.
1"	550	440	80	185	1"
1.5"	620	510	90	210	1.5"
2"	840	730	100	230	2"
2.5"	840	730	120	275	2.5"
3"	970	860	140	325	3"
4"	960	840	140	325	4"
5"	895	780	160	375	5"
6"	1155	1040	160	400	6"
8"	1160	1025	215	505	8"

Note: Number of element is one.  
 \* Inline Strainer design available.



# ST 20 Series

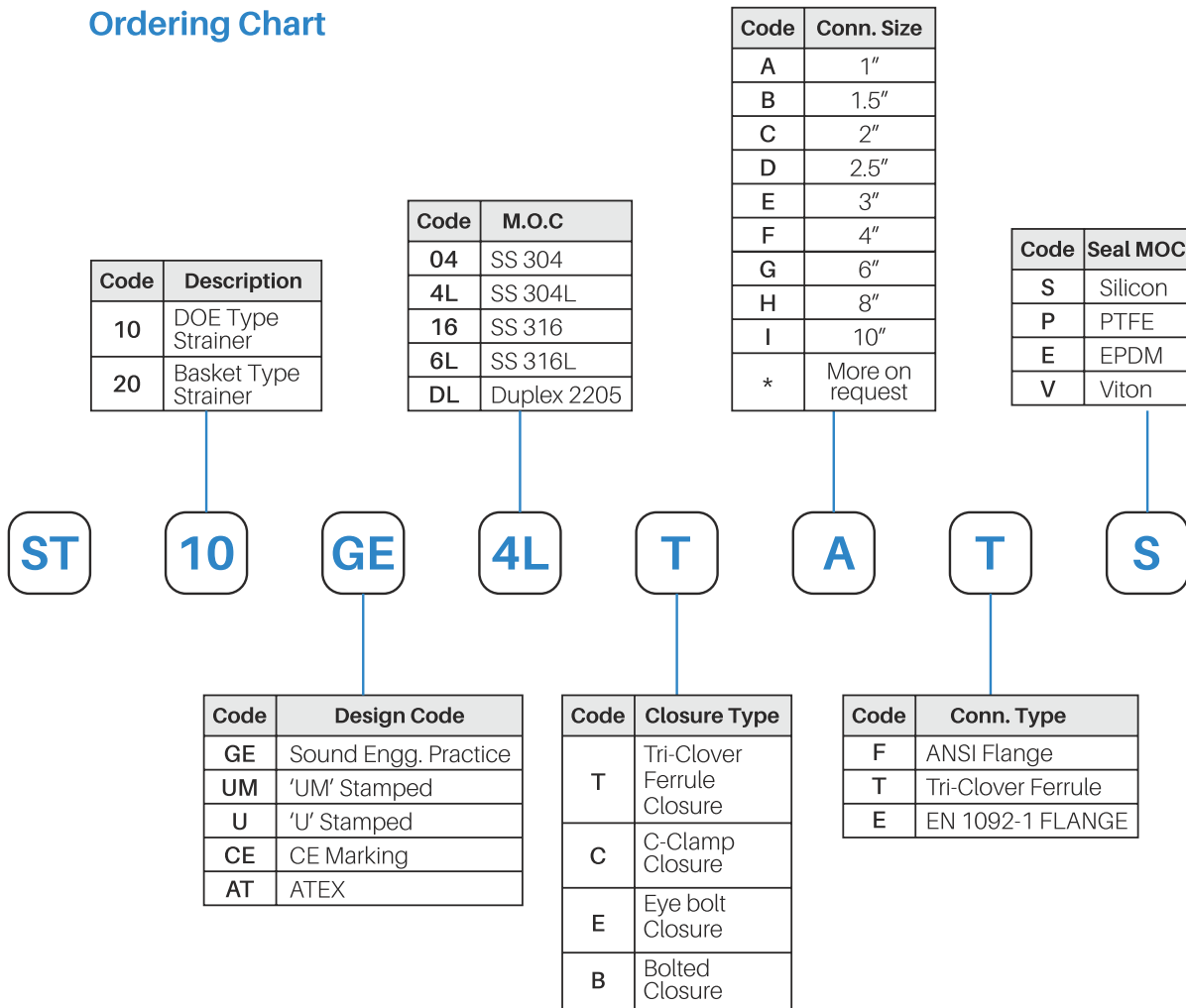


## Basket Type Strainer Element Filter Housing



\* Inline Strainer design available.

Ordering Chart



\* Customization in design available on request.