

Lenticular Filter Housing (LF Series)

LEISTUNG



Module Filter Housing

- Closed system ensures product purity & no product losses
- Requires less space than classified filtration system due to vertical design
- Maximum reliability against product contamination
- Maximum operational safety due to specific design
- Simple handling due to rapid Lenticular element change & ease of cleaning
- Available with Rathmann styled bolting clamps or V-band clamp closure options
- Can be sterilized by autoclaving or steam sterilization or disinfected with hot water or chemical
- Supplied as a ready to use unit, subsequent retightening after wetting is not necessary, simplified handling
- Leistung's Lenticular Filter housing design concept is to combine the advantages of conventional depth filter sheets with the positive features of enclosed filters. They are widely used in the chemical, cosmetics & food industry. They can be used successfully in certain sections of the pharmaceutical and biotechnology industry.
- Leistung's Lenticular Filter housings are enclosed filter housings consisting of a bottom part with 3 legs and a detachable housing dome. The bottom part with inlet & outlet socket contains the centering and mounting unit for holding the Lenticular Filter with a flat adapter or double O-ring adapter type Lenticular Filter.
- The connection between the flat bottom part and the housing dome is realized through a quick closure device like V-band clamp or Rathmann clamp.
- The module filter housings are available in variety of sizes, design & types.

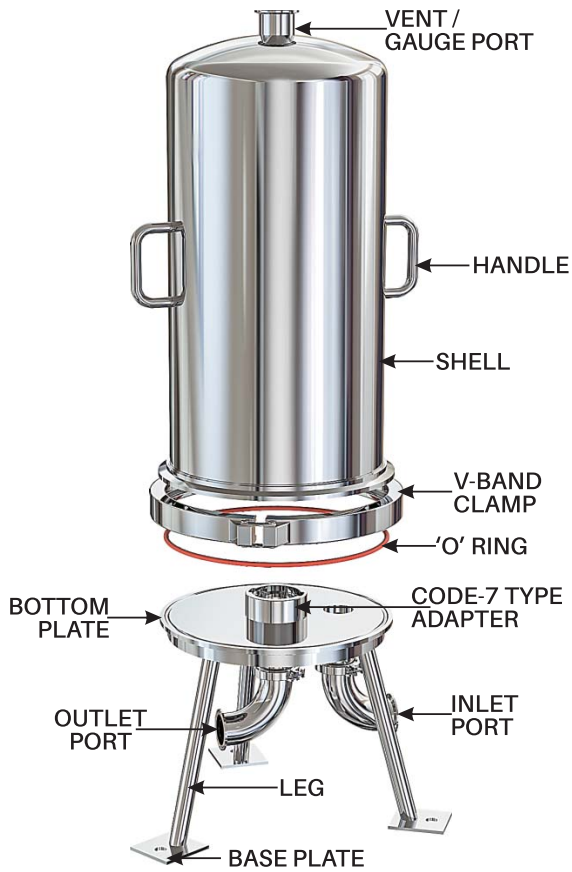
Technical Data	
No. of Cells	9, 12, 16, other on request
No. of Stacks	Up to 4, more on request
No. of Columns	Up to 4, more on request
Fitment Type	DOE & Code-7 type
Design Code	Sound Engineering Practice, ASME section VIII Division 1, CE-PED, ATEX *
MOC	SS 304, 304L, 316, 316L, Duplex *
Pressure Rating	1 - 10 bar & More
Temperature Rating	-25°C to +65°C, more on request *
Connection Size	2" - 4", more on request *
Connections	Flange, V-Band (Hygienic) Clamp *
Vessel Closure	V-Band Clamped, C - Clamp closure, Eye Bolt & nut type closure
Sealing Material	Silicon, EPDM, Viton, PTFE *
Lifting Device	Davit Arm, Lifting Lug, Lifting Handle *
Vessel Support	Legs
Surface Finish	Mirror Finish, Matt Finish
Ra Value	< 0.38 µm
Accessories (Optional)	Pressure Gauge, Vent Valve, Drain Valve, D.P. Gauge
Marking (Optional)	ASME 'U' Stamp, 'UM' Stamp, 'R' Stamp, CE Marking, ATEX Marking

* Customization in design available on request

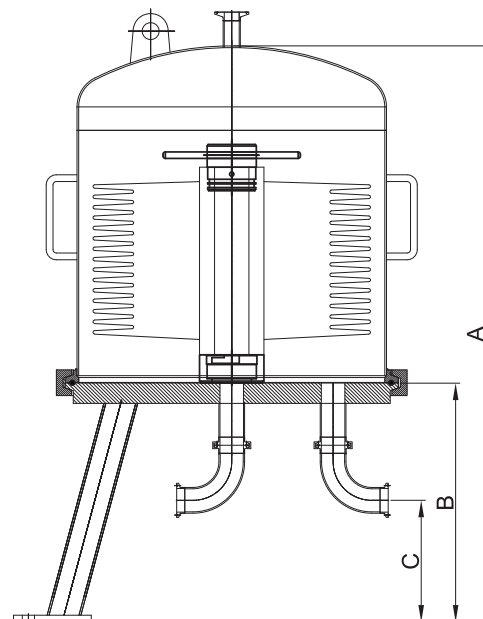
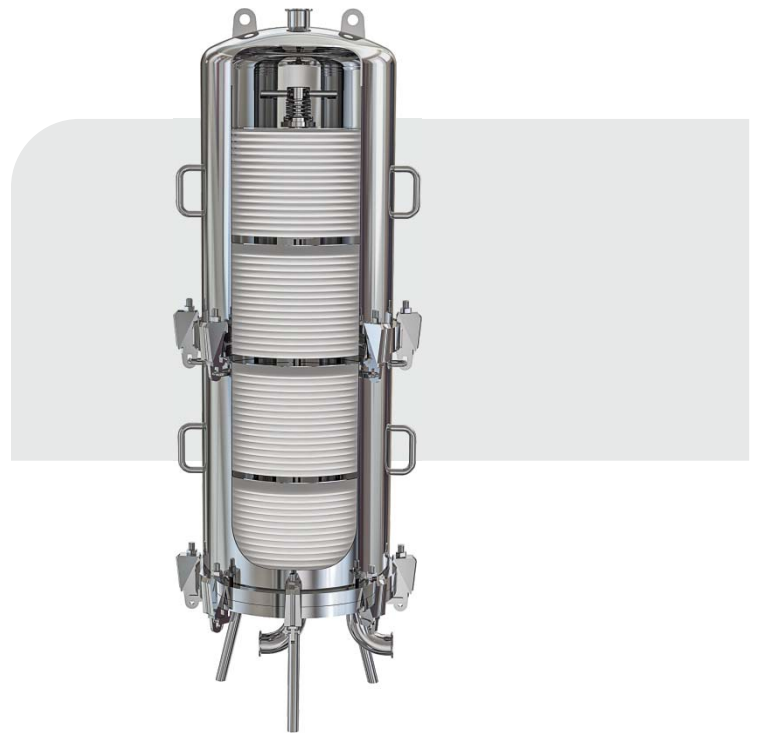
LF Series



Code-7 Type Lenticular Filter Housing (LF 10 Series)

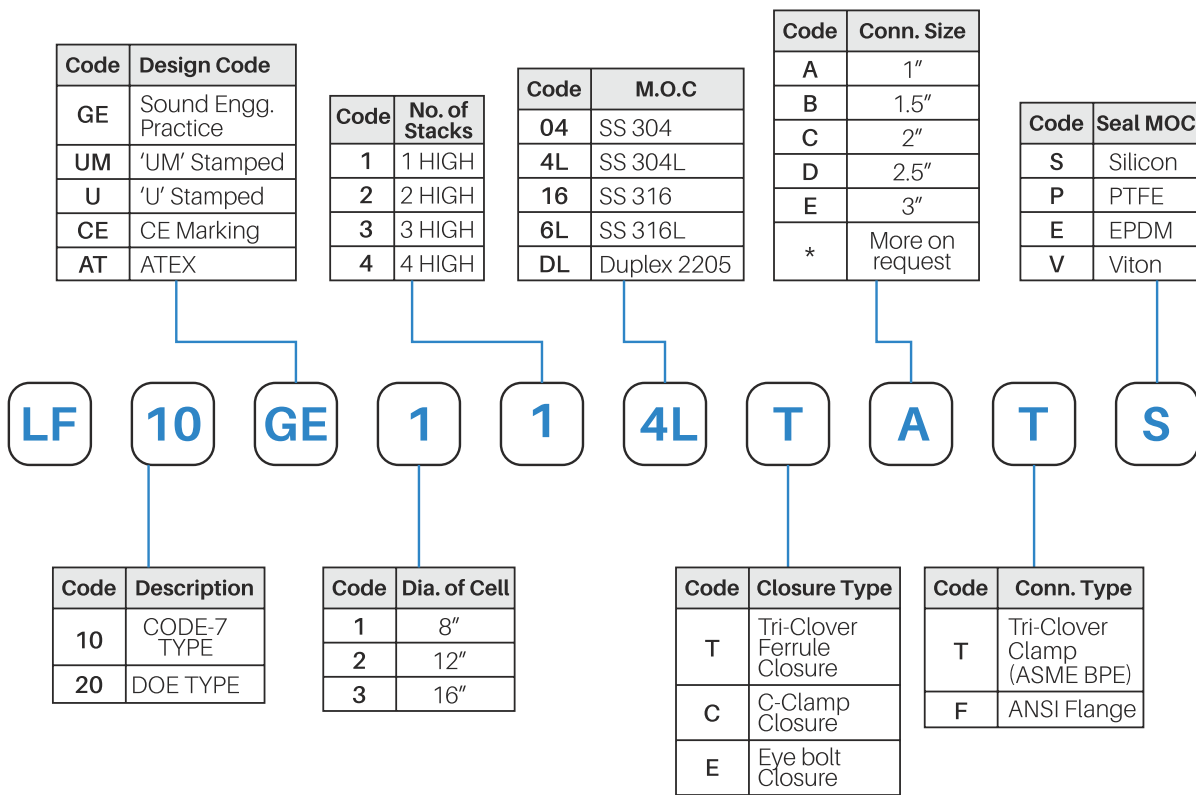


DOE Type Lenticular Filter Housing (LF 20 Series)



MODULE SIZE	A	B	C	STANDARD CONNECTION
8" X 1 HIGH	520	335	150	1.5", 2", 3"
8" X 2 HIGH	660	390	150	
12" X 1 HIGH	825	555	180	
12" X 2 HIGH	1130	555	180	
12" X 3 HIGH	1410	555	180	
12" X 4 HIGH	1685	555	180	
16" X 1 HIGH	825	555	180	
16" X 2 HIGH	1130	555	180	
16" X 3 HIGH	1410	555	180	
16" X 4 HIGH	1685	555	180	

Ordering Chart



* Customised design with more number of cartridges and connection are available.