

Series 10 - Two - way Diaphragm valve Manually operating casting valve

- Available from DN 8 to DN 100
- Cavity free and self-draining
- Hermetical separation of fluids from the operating mechanism by diaphragm
- Fully Autoclavable
- Full traceability as per EN 10204 3.1 and ASME BPE
- Various internal surface finish available



SteriPure Diaphragm Valves



2-Way Diaphragm valve, Cast Stainless Steel body,
Manually Operated with V-band (Hygienic)
Clamp Connector

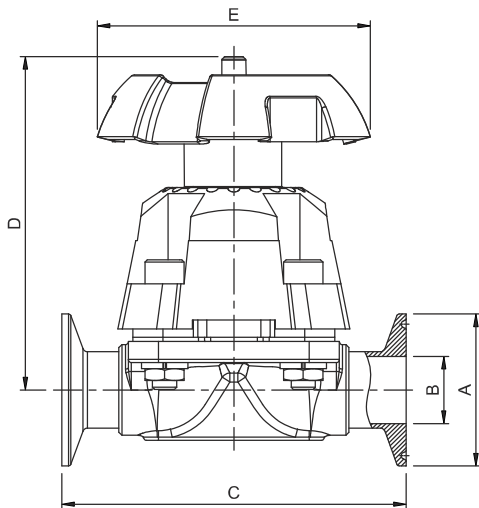


Fig. 101

2-Way Diaphragm Valve, Cast Stainless Steel Body,
Manually Operated with Butt-weld End

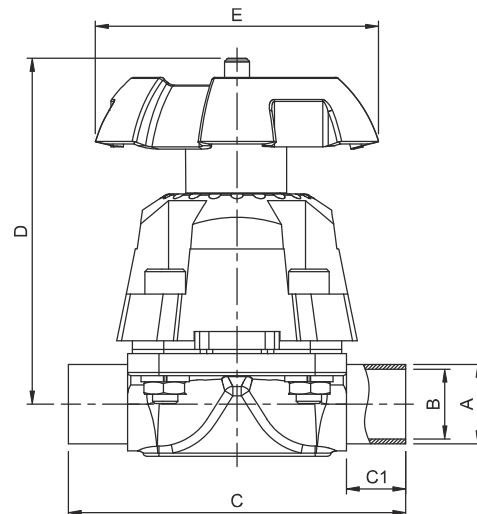


Fig. 102

Dimensions for end connections according to ASME BPE connection type

Handle and Bonnet - Polyamide (Refer Figure 101)						
LDG	DN	A	B	C	D	E
8	8	25.0	9.4	71.0	71.5	40.0
15	15	25.0	9.4	88.9	87.0	79.7
	20	25.0	15.75	101.6	90.0	79.7
	20	35.0	15.75	101.6	90.0	79.7
	20	50.4	15.75	101.6	90.0	79.7
25	25	50.4	22.1	114.3	111.0	94.0
40	40	50.4	34.8	139.7	129.0	118.2
	50	63.9	47.5	158.8	135.0	118.2
50	50	63.9	47.5	158.8	167.0	149.7
	65	77.4	60.2	193.8	174.0	149.7
	80	90.9	72.9	222.3	180.0	149.7

Handle and Bonnet - Polyamide (Refer Figure 102)							
LDG	DN	A	B	C	C1	D	E
8	8	12.7	9.4	71.0	19.0	71.5	40.0
15	15	12.7	9.4	84.0	19.0	87.0	79.7
	20	19.05	15.75	84.0	19.0	90.0	79.7
25	25	25.4	22.1	120.0	25.0	111.0	94.0
40	40	38.1	34.8	142.9	25.0	129.0	118.2
	50	50.8	47.5	152.9	30.0	135.0	118.2
50	50	50.8	47.5	176.1	30.0	167.0	149.7
	65	63.5	60.2	184.1	34.0	174.0	149.7
	80	76.2	72.9	196.1	40.0	180.0	149.7

2-Way Diaphragm valve, Cast Stainless Steel body,
Manually Operated with V-band (Hygienic)
Clamp Connector

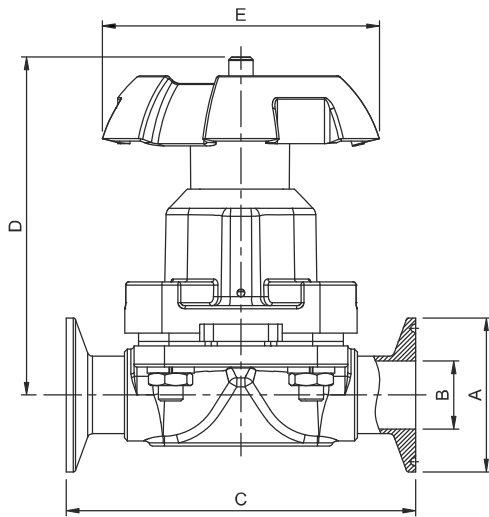


Fig. 103

2-Way Diaphragm Valve, Cast Stainless Steel Body,
Manually Operated with Butt-weld End

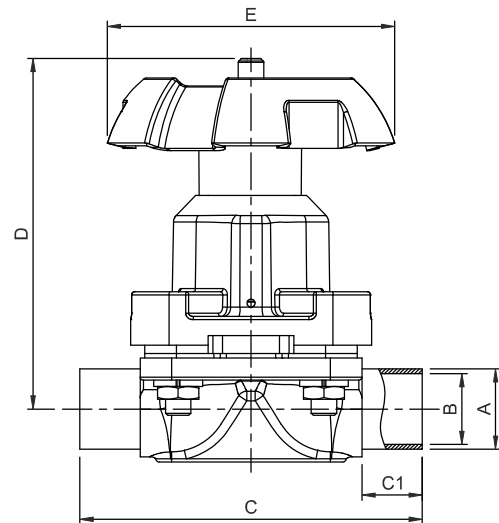


Fig. 104

Dimensions for end connections according to ASME BPE connection type

Handle - PA and Bonnet - SS (Refer Figure 103)						
LDG	DN	A	B	C	D	E
8	8	25.0	9.4	71.0	71.5	40.0
15	15	25.0	9.4	88.9	87.0	79.7
	20	25.0	15.75	101.6	90.0	79.7
	20	35.0	15.75	101.6	90.0	79.7
	20	50.4	15.75	101.6	90.0	79.7
25	25	50.4	22.1	114.3	111.0	94.0
40	40	50.4	34.8	139.7	129.0	118.2
	50	63.9	47.5	158.8	135.0	118.2
50	50	63.9	47.5	158.8	167.0	149.7
	65	77.4	60.2	193.8	174.0	149.7
	80	90.9	72.9	222.3	180.0	149.7

Handle - PA and Bonnet - SS (Refer Figure 104)							
LDG	DN	A	B	C	C1	D	E
8	8	12.7	9.4	71.0	19.0	71.5	40.0
15	15	12.7	9.4	84.0	19.0	87.0	79.7
	20	19.05	15.75	84.0	19.0	90.0	79.7
25	25	25.4	22.1	120.0	25.0	111.0	94.0
40	40	38.1	34.8	142.9	25.0	129.0	118.2
	50	50.8	47.5	152.9	30.0	135.0	118.2
50	50	50.8	47.5	176.1	30.0	167.0	149.7
	65	63.5	60.2	184.1	34.0	174.0	149.7
	80	76.2	72.9	196.1	40.0	180.0	149.7

SteriPure Diaphragm Valves



2-Way Diaphragm valve, Cast Stainless Steel body,
Manually Operated with V-band (Hygienic)
Clamp Connector

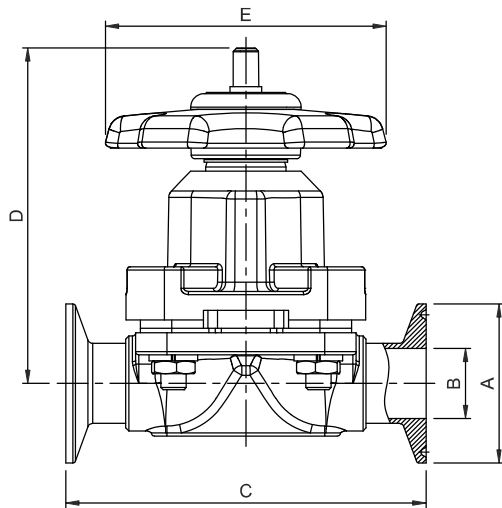


Fig. 105

2-Way Diaphragm Valve, Cast Stainless Steel Body,
Manually Operated with Butt-weld End

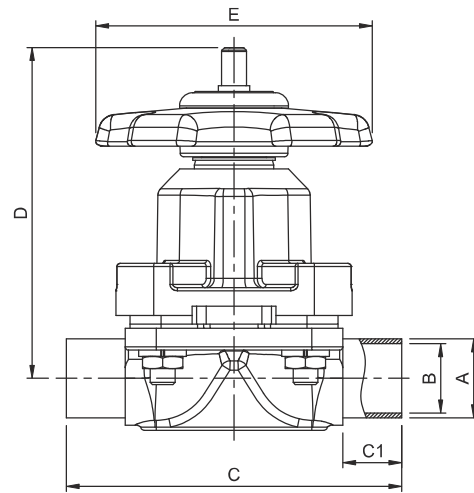


Fig. 106

Dimensions for end connections according to ASME BPE connection type

Handle and Bonnet - Stainless Steel (Refer Figure 105)						
LDG	DN	A	B	C	D	E
8	8	25.0	9.4	71.0	71.5	40.0
15	15	25.0	9.4	88.9	81.5	80.4
	20	25.0	15.75	101.6	84.0	80.4
	20	35.0	15.75	101.6	84.0	80.4
	20	50.4	15.75	101.6	84.0	80.4
25	25	50.4	22.1	114.3	107.0	89.7
40	40	50.4	34.8	139.7	136.0	115.8
	50	63.9	47.5	158.8	142.0	115.8
50	50	63.9	47.5	158.8	159.0	152.5
	65	77.4	60.2	193.8	166.0	152.5
	80	90.9	72.9	222.3	172.0	152.5
80	80	90.9	72.9	222.3	209.5	234.0
100	100	118.9	97.38	292.1	290.0	320.0

Handle and Bonnet - Stainless Steel (Refer Figure 106)							
LDG	DN	A	B	C	C1	D	E
8	8	12.7	9.4	71.0	19.0	71.5	40.0
15	15	12.7	9.4	84.0	19.0	81.5	80.4
	20	19.05	15.75	84.0	19.0	84.0	80.4
25	25	25.4	22.1	120.0	25.0	107.0	89.7
40	40	38.1	34.8	142.9	25.0	136.0	115.8
	50	50.8	47.5	152.9	30.0	142.0	115.8
50	50	50.8	47.5	176.1	30.0	159.0	152.5
	65	63.5	60.2	184.1	34.0	166.0	152.5
	80	76.2	72.9	196.1	40.0	172.0	152.5
80	80	76.2	72.9	238.0	40.0	209.5	234.0
100	100	101.6	97.38	310.0	40.0	290.0	320.0



Order Sample:

LE	10	A	15	E	P	P	E	T	9
1	2	3	4	5	6	7	8	9	10

Order Codes:

1	Make	Code
	Leistung	LE
2	Series	Code
	Two way manually operated casting valve	10
3	Connection std	Code
	ASME BPE	A
	BS 4825	B
	EN ISO 1127/ ISO 4200	E
4	Connection Size	Code
	Mini	08
	1/2"	15
	3/4"	20
	3/4" (Ø35)	20A
	3/4" (Ø50)	20B
	1"	25
	1 1/2"	40
	2" Eco	50E
	2"	50
	2 1/2"	65
	3" Eco	80E
	3"	80
	4"	100

5	MOC of Diaphragm	Code
	EPDM	E
	PTFE	P
6	MOC of Handle	Code
	ASTM A 351 GR CF8	C
	Polyamide	P
7	MOC of Bonnet	Code
	ASTM A 351 GR CF8	C
	Polyamide	P
8	Surface Finish	Code
	Mechanical	M
	Electropolish	E
9	Type of End Connection	Code
	Buttweld	B
	V - Band (Hygienic clamp)	T
10	Certificate	Code
	ISO 9001	9
	PED 2014/68/EU	P