

SteriPure Side Sampling valve

LEISTUNG

Series 120 - Side Sampling valve

These sanitary sampling valves are ideal for sample collection of high purity water, beverages and liquids. Easily attached to a liquid distribution line or a storage tank, the valve directs the outflow to a sampling container or a disposal filter monitor.

- Unique design eliminates dead spaces
- Mid-stream sample collection
- Designed for production line sampling
- CIP capable and crevice free
- Self-draining operation





Side Sampling valve, machined Stainless Steel Body

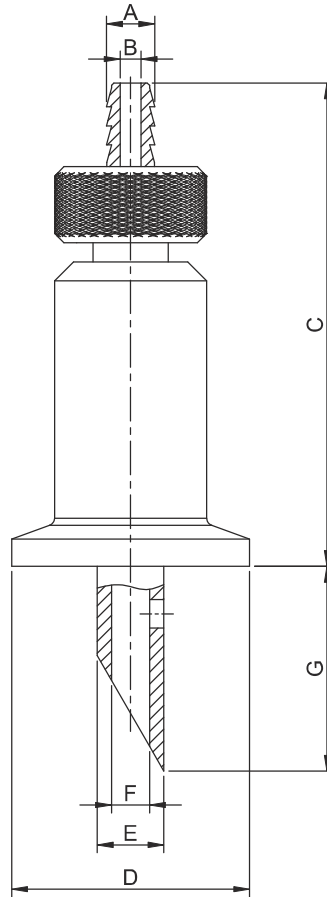


Fig. 1201

Dimensions for end connections according to ASME BPE connection type

Refer Figure 1201							
Connection Size	A (mm)	B (mm)	C (mm)	D (mm)	E (mm)	F (mm)	G (mm)
1/2"	5.0	2.2	50.8	25.0	7.0	4.0	21.5
1"	5.0	2.2	50.8	50.4	7.0	4.0	21.5
2"	5.0	2.2	50.8	63.9	7.0	4.0	21.5

Order Sample:

LE	120	A	25	E	9
1	2	3	4	5	6

Order Codes:

1	Make	Code
	Leistung	LE
2	Series	Code
	Side Sampling valve	120
3	Connection std	Code
	ASME BPE	A
	BS 4825	B
4	Connection Size	Code
	½"	15
	1"	25
	2"	50

5	Surface Finish	Code
	Mechanical	M
	Electropolish	E
6	Certificate	Code
	ISO 9001	9