

# SteriPure Diaphragm Valves

LEISTUNG

## Series 15 - Two - way Diaphragm valve Pneumatically operating casting valve

- Available from DN 8 to DN 100
- Normally close, normally open and double acting options available
- Cavity free and self-draining
- Stroke limiter, electric position indicator and position and process controller accessories available
- Hermetical separation of fluids from the operating mechanism by diaphragm
- Fully Autoclavable
- Full traceability as per EN 10204 3.1 and ASME BPE
- Various internal surface finish available



2-Way Diaphragm valve, Cast Stainless Steel body,  
Actuated with V-band (Hygienic) Clamp Connector

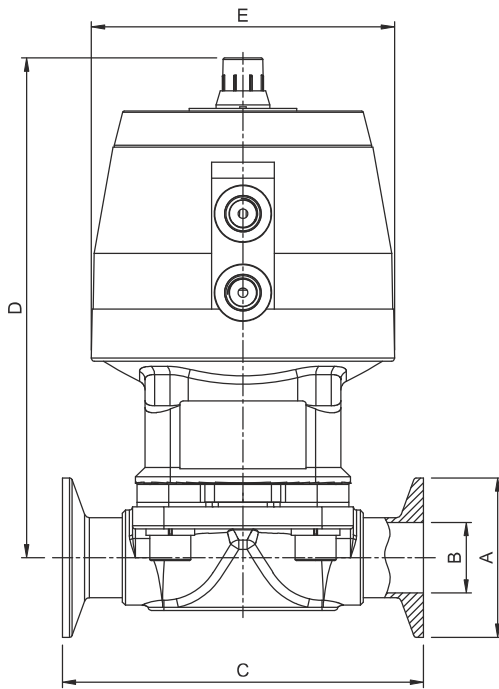


Fig. 151

2-Way Diaphragm Valve, Cast Stainless Steel Body,  
Actuated with Butt-weld End

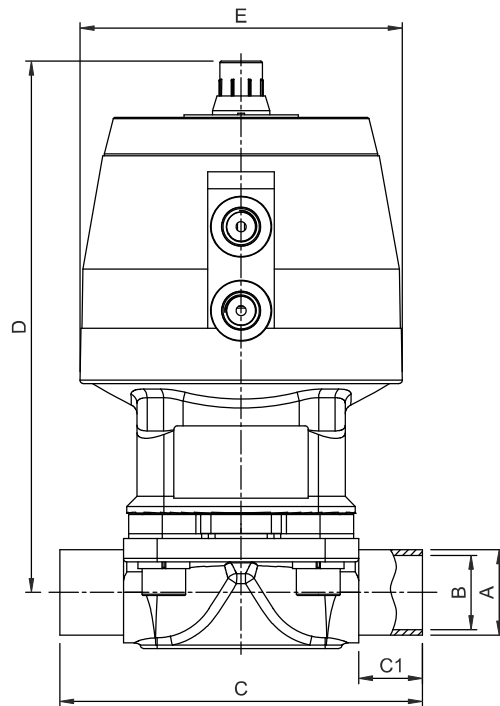


Fig. 152

Dimensions for end connections according to ASME BPE connection type

Cylinder and Base - Polyamide (Refer Figure 151)						
LDG	DN	A	B	C	D	E
8	8	25.0	9.4	71.0	123.0	51.7
15	15	25.0	9.4	88.9	115.3	68.0
	20	25.0	15.75	101.6	118.0	68.0
	20	35.0	15.75	101.6	118.0	68.0
	20	50.4	15.75	101.6	118.0	68.0
25	25	50.4	22.1	114.3	158.0	96.0
40	40	50.4	34.8	139.7	225.7	151.5
	50	63.9	47.5	158.8	231.4	151.5

Cylinder and base - Polyamide (Refer Figure 152)							
LDG	DN	A	B	C	C1	D	E
8	8	12.7	9.4	71.0	19.0	123.0	51.7
15	15	12.7	9.4	84.0	19.0	115.3	68.0
	20	19.05	15.75	84.0	19.0	118.0	68.0
25	25	25.4	22.1	120.0	25.0	158.0	96.0
40	40	38.1	34.8	142.9	25.0	225.7	151.5
	50	50.8	47.5	152.9	30.0	231.4	151.5

2-Way Diaphragm valve, Cast Stainless Steel body,  
Actuated V-band (Hygienic) Clamp Connector

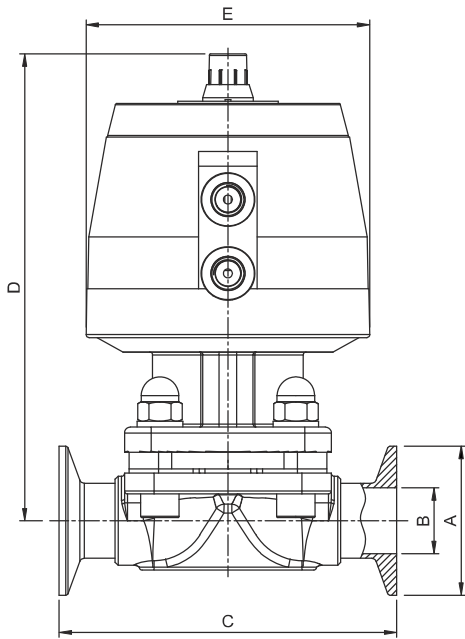


Fig. 153

2-Way Diaphragm Valve, Cast Stainless Steel Body,  
Actuated with Butt-weld End

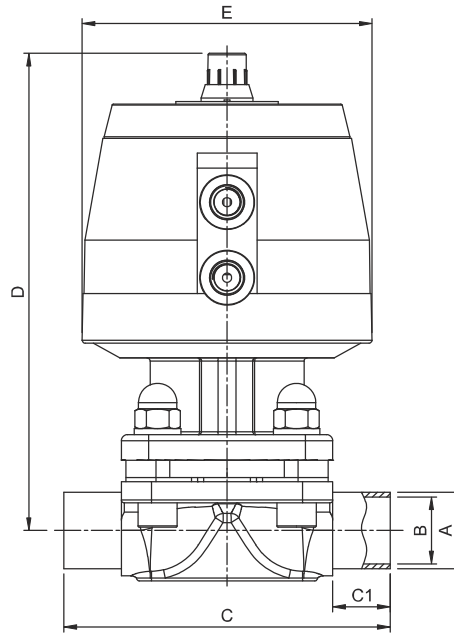


Fig. 154

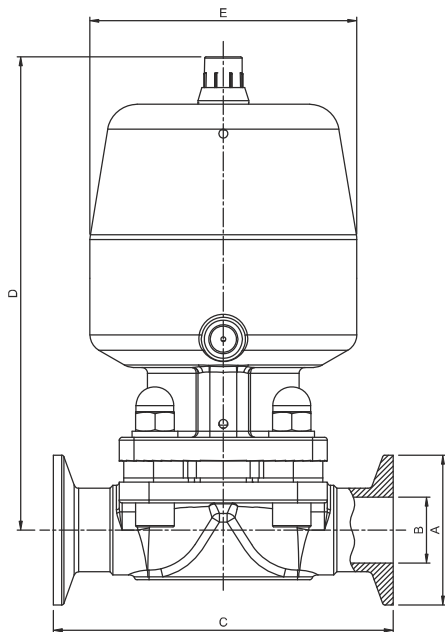
Dimensions for end connections according to ASME BPE connection type

Cylinder PA and Base SS (Refer Figure 153)						
LDG	DN	A	B	C	D	E
8	8	25.0	9.4	71.0	123.0	51.7
15	15	25.0	9.4	88.9	115.3	68.0
	20	25.0	15.75	101.6	118.0	68.0
	20	35.0	15.75	101.6	118.0	68.0
	20	50.4	15.75	101.6	118.0	68.0
25	25	50.4	22.1	114.3	158.0	96.0
40	40	50.4	34.8	139.7	225.7	151.5
	50	63.9	47.5	158.8	231.4	151.5
50	50	63.9	47.5	158.8	267.6	178.3
	65	77.4	60.2	193.8	274.8	178.3
	80	90.9	72.9	222.3	282.7	178.3
80	80	90.9	72.9	222.3	320.8	210.3

Cylinder PA and Base SS (Refer Figure 154)							
LDG	DN	A	B	C	C1	D	E
8	8	12.7	9.4	71.0	19.0	123.0	51.7
15	15	12.7	9.4	84.0	19.0	115.3	68.0
	20	19.05	15.75	84.0	19.0	118.0	68.0
25	25	25.4	22.1	120.0	25.0	158.0	96.0
40	40	38.1	34.8	142.9	25.0	225.7	151.5
	50	50.8	47.5	152.9	30.0	231.4	151.5
50	50	50.8	47.5	176.1	30.0	267.6	178.3
	65	63.5	60.2	184.1	34.0	274.8	178.3
	80	76.2	72.9	196.1	40.0	282.7	178.3
80	80	76.2	72.9	238.0	40.0	320.8	210.3

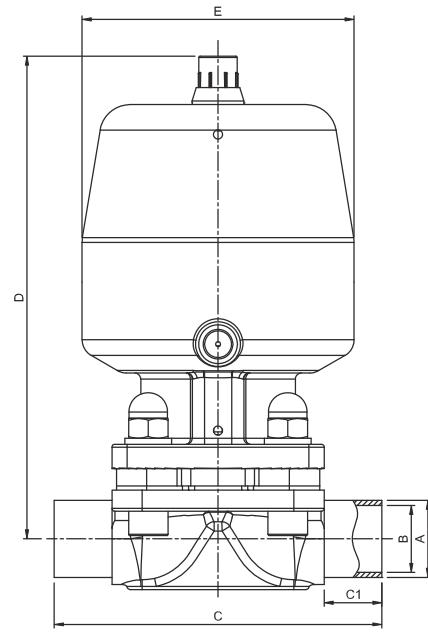


2-Way Diaphragm valve, Cast Stainless Steel body,  
Actuated with V-band (Hygienic) Clamp Connector



**Fig. 155**

2-Way Diaphragm Valve, Cast Stainless Steel Body,  
Actuated with Butt-weld End



**Fig. 156**

Dimensions for end connections according to ASME BPE connection type

Cylinder and Base - Stainless Steel (Refer Figure 155)						
LDG	DN	A	B	C	D	E
8	8	25.0	9.4	71.0	116.7	49.7
15	15	25.0	9.4	88.9	116.9	66.0
	20	25.0	15.75	101.6	119.6	66.0
	20	35.0	15.75	101.6	119.6	66.0
	20	50.4	15.75	101.6	119.6	66.0
25	25	50.4	22.1	114.3	159.2	89.7
40	40	50.4	34.8	139.7	205.4	134.6
	50	63.9	47.5	158.8	211.1	134.6
50	50	63.9	47.5	158.8	245.3	161.0
	65	77.4	60.2	193.8	252.0	161.0
	80	90.9	72.9	222.3	257.8	161.0
80	80	90.9	72.9	222.3	285.9	191.0
100	100	118.9	97.38	292.1	454.6	229.0

Cylinder and Base - Stainless Steel (Refer Figure 156)							
LDG	DN	A	B	C	C1	D	E
8	8	12.7	9.4	71.0	19.0	116.7	49.7
15	15	12.7	9.4	84.0	19.0	116.9	66.0
	20	19.05	15.75	84.0	19.0	119.6	66.0
25	25	25.4	22.1	120.0	25.0	159.2	89.7
40	40	38.1	34.8	142.9	25.0	205.4	134.6
	50	50.8	47.5	152.9	30.0	211.1	134.6
50	50	50.8	47.5	176.1	30.0	245.3	161.0
	65	63.5	60.2	184.1	34.0	252.0	161.0
	80	76.2	72.9	196.1	40.0	257.8	161.0
80	80	76.2	72.9	238.0	40.0	285.9	191.0
100	100	101.6	97.38	320.0	40.0	454.6	229.0

### Order Sample:

<b>LE</b>	<b>15</b>	<b>A</b>	<b>20</b>	<b>E</b>	<b>C</b>	<b>P</b>	<b>P</b>	<b>SM</b>	<b>E</b>	<b>T</b>	<b>9</b>
<b>1</b>	<b>2</b>	<b>3</b>	<b>4</b>	<b>5</b>	<b>6</b>	<b>7</b>	<b>8</b>	<b>9</b>	<b>10</b>	<b>11</b>	<b>12</b>

### Order Codes:

<b>1</b>	<b>Make</b>	<b>Code</b>
	Leistung	LE
<b>2</b>	<b>Series</b>	<b>Code</b>
	Two way Pneumatically operated casting valve	15
<b>3</b>	<b>Connection std</b>	<b>Code</b>
	ASME BPE	A
	BS 4825	B
	EN ISO 1127/ISO 4200	E
<b>4</b>	<b>Connection Size</b>	<b>Code</b>
	Mini	08
	1/2"	15
	3/4"	20
	3/4" (Ø35)	20A
	3/4" (Ø50)	20B
	1"	25
	1 1/2"	40
	2" Eco	50E
	2"	50
	2 1/2"	65
	3" Eco	80E
	3"	80
	4"	100
<b>5</b>	<b>MOC of Diaphragm</b>	<b>Code</b>
	EPDM	E
	PTFE	P

<b>6</b>	<b>Actuator Type</b>	<b>Code</b>
	Normally Open	O
	Normally close	C
	Double Acting	A
<b>7</b>	<b>MOC of Cylinder</b>	<b>Code</b>
	ASTM A351 GR CF8	C
	Polyamide	P
<b>8</b>	<b>MOC of Base</b>	<b>Code</b>
	ASTM A351 GR CF8	C
	Polyamide	P
<b>9</b>	<b>PID control options</b>	<b>Code</b>
	Signal operated controller	SO
	Smart PID controller	SM
	Smart Process PID controller	SP
	Not Applicable	NA
<b>10</b>	<b>Surface Finish</b>	<b>Code</b>
	Mechanical	M
	Electropolish	E
<b>11</b>	<b>Type of End Connection</b>	<b>Code</b>
	Buttweld	B
	V - Band (Hygienic clamp)	T
<b>12</b>	<b>Certificate</b>	<b>Code</b>
	ISO 9001	9
	PED 2014/68/EU	P