

Series 30 - Manually operated T pattern valve

SteriPure T valves are machined from single block either in 316L or 1.4435 avoiding weld seams.

- Compact design
- Zero dead leg
- Various internal surface finish available
- Internal surface finish of less than 0.4 Ra
- Clamps and flanges available on request



T-Pattern Diaphragm Valve, Forged Stainless Steel Body, Manually Operated with Butt-weld End

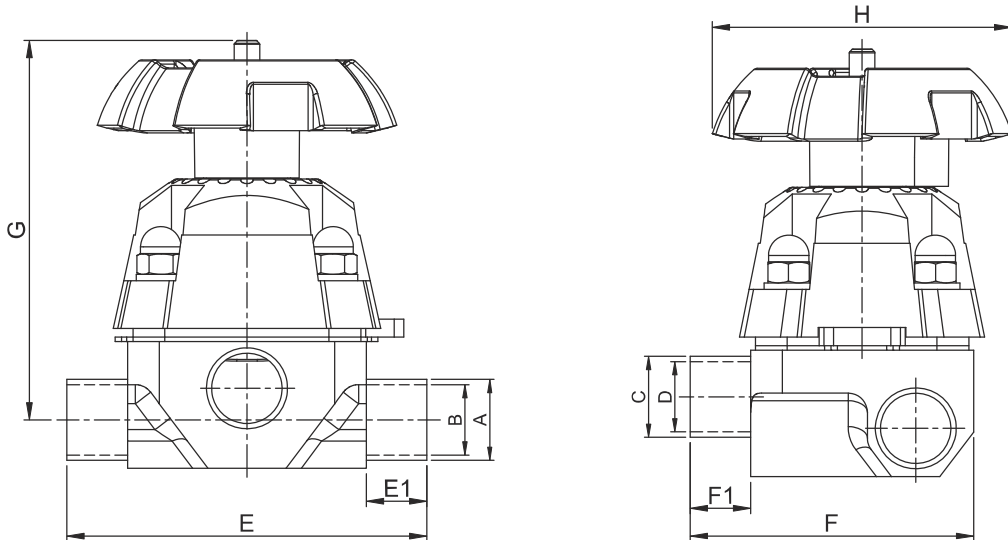


Fig. 301

Dimensions for end connections according to ASME BPE connection type

Handle and Bonnet - Polyamide (Refer Figure 301)												
LDG	Main Conn. Size (DN1)	A	B	E	E1	F	F1	G	H	Upright Conn. Size (DN2)	C	D
		(mm)	(mm)	(mm)	(mm)	(mm)	(mm)	(mm)	(mm)		(mm)	(mm)
8	8	12.7	9.4	71.0	19.0	52.0	19.0	73.3	40.0	8	12.7	9.4
	15	12.7	9.4	71.0	19.0	52.0	19.0	73.7	40.0	8	12.7	9.4
15	15	12.7	9.4	88.0	19.0	65.0	19.0	94.8	79.7	15	12.7	9.4
8	20	19.05	15.75	71.0	19.0	58.2	19.0	76.9	40.0	8	12.7	9.4
15	20	19.05	15.75	88.0	19.0	67.2	19.0	97.9	79.7	15	12.7	9.4
	20	19.05	15.75	88.0	19.0	67.2	19.0	97.9	79.7	20	19.05	15.75
8	25	25.4	22.1	83.0	25.0	64.2	19.0	80.1	40.0	8	12.7	9.4
15	25	25.4	22.1	100.0	25.0	72.7	19.0	101.1	79.7	15	12.7	9.4
	25	25.4	22.1	100.0	25.0	72.7	19.0	101.1	79.7	20	19.05	15.75
25	25	25.4	22.1	125.0	25.0	95.0	25.0	119.1	94.0	25	25.4	22.1
8	40	38.1	34.8	83.0	25.0	77.3	19.0	86.4	40.0	8	12.7	9.4
15	40	38.1	34.8	100.0	25.0	85.8	19.0	107.5	79.7	15	12.7	9.4
	40	38.1	34.8	100.0	25.0	85.8	19.0	107.5	79.7	20	19.05	15.75
25	40	38.1	34.8	125.0	25.0	105.2	25.0	125.5	94.0	25	25.4	22.1
40	40	38.1	34.8	146.9	25.0	118.1	25.0	139.6	118.2	40	38.1	34.8
8	50	50.8	47.5	93.0	30.0	90.9	19.0	97.6	40.0	8	12.7	9.4



Handle and Bonnet - Polyamide (Refer Figure 301)												
LDG	Main Conn. Size (DN1)	A	B	E	E1	F	F1	G	H	Upright Conn. Size (DN2)	C	D
		(mm)	(mm)	(mm)	(mm)	(mm)	(mm)	(mm)	(mm)		(mm)	(mm)
15	50	50.8	47.5	110.0	30.0	99.0	19.0	113.8	79.7	15	12.7	9.4
	50	50.8	47.5	110.0	30.0	99.0	19.0	113.8	79.7	20	19.05	15.75
25	50	50.8	47.5	135.0	30.0	118.3	25.0	131.8	94.0	25	25.4	22.1
40	50	50.8	47.5	156.9	30.0	131.1	25.0	146.0	118.2	40	38.1	34.8
	50	50.8	47.5	156.9	30.0	136.1	30.0	146.0	118.2	50	50.8	47.5
50	50	50.8	47.5	181.1	30.0	148.8	30.0	180.6	150.6	50	50.8	47.5
8	65	63.5	60.2	101.0	34.0	103.9	19.0	94.8	40.0	8	12.7	9.4
15	65	63.5	60.2	118.0	34.0	112.1	19.0	120.2	79.7	15	12.7	9.4
	65	63.5	60.2	118.0	34.0	112.1	19.0	120.2	79.7	20	19.05	15.75
25	65	63.5	60.2	143.0	34.0	131.5	25.0	138.2	94.0	25	25.4	22.1
40	65	63.5	60.2	164.9	34.0	146.3	25.0	152.3	118.2	40	38.1	34.8
	65	63.5	60.2	164.9	34.0	149.3	30.0	152.3	118.2	50	50.8	47.5
50	65	63.5	60.2	189.1	34.0	162.0	30.0	189.3	150.6	50	50.8	47.5
	65	63.5	60.2	189.1	34.0	165.9	34.0	186.6	150.6	65	63.5	60.2
8	80	76.2	72.9	113.0	40.0	117.1	19.0	101.1	40.0	8	12.7	9.4
15	80	76.2	72.9	130.0	40.0	125.3	19.0	126.5	79.7	15	12.7	9.4
	80	76.2	72.9	130.0	40.0	125.3	19.0	126.5	79.7	20	19.05	15.75
25	80	76.2	72.9	155.0	40.0	144.6	25.0	144.5	94.0	25	25.4	22.1
40	80	76.2	72.9	176.9	40.0	157.4	25.0	158.7	118.2	40	38.1	34.8
	80	76.2	72.9	176.9	40.0	162.4	30.0	158.7	118.2	50	50.8	47.5
50	80	76.2	72.9	201.1	40.0	175.0	30.0	194.9	150.6	50	50.8	47.5
	80	76.2	72.9	201.1	40.0	179.0	34.0	194.9	150.6	65	63.5	60.2
	80	76.2	72.9	201.1	40.0	186.0	40.0	194.9	150.6	80	76.2	72.9
8	100	101.6	97.38	113.0	40.0	142.9	19.0	114.2	40.0	8	12.7	9.4
15	100	101.6	97.38	130.0	40.0	150.5	19.0	130.3	79.7	15	12.7	9.4
	100	101.6	97.38	130.0	40.0	150.5	19.0	130.3	79.7	20	19.05	15.75
25	100	101.6	97.38	155.0	40.0	169.9	25.0	149.2	94.0	25	25.4	22.1
40	100	101.6	97.38	176.9	40.0	183.3	25.0	170.9	118.2	40	38.1	34.8
	100	101.6	97.38	176.9	40.0	188.3	30.0	170.9	118.2	50	50.8	47.5
50	100	101.6	97.38	201.1	40.0	200.0	30.0	205.2	150.6	50	50.8	47.5
	100	101.6	97.38	201.1	40.0	204.9	34.0	205.2	150.6	65	63.5	60.2
	100	101.6	97.38	201.1	40.0	211.7	40.0	205.2	150.6	80	76.2	72.9

T-Pattern Diaphragm Valve, Forged Stainless Steel Body, Manually Operated with Butt-weld End

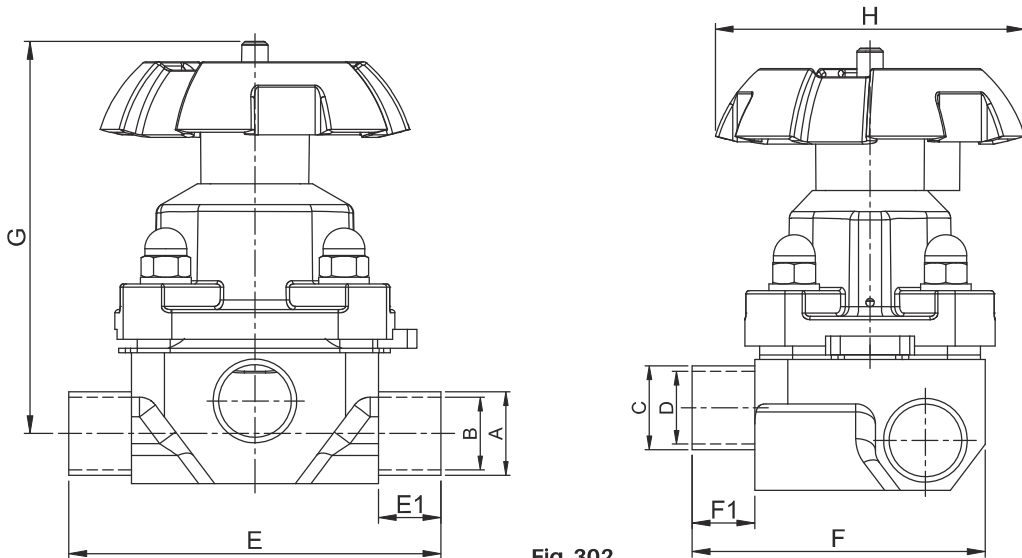


Fig. 302

Dimensions for end connections according to ASME BPE connection type

Handle - PA and Bonnet - SS (Refer Figure 302)												
LDG	Main Conn. Size (DN1)	A	B	E	E1	F	F1	G	H	Upright Conn. Size (DN2)	C	D
		(mm)	(mm)	(mm)	(mm)	(mm)	(mm)	(mm)	(mm)		(mm)	(mm)
8	8	12.7	9.4	71.0	19.0	52.0	19.0	73.3	40.0	8	12.7	9.4
	15	12.7	9.4	71.0	19.0	52.0	19.0	73.7	40.0	8	12.7	9.4
15	15	12.7	9.4	88.0	19.0	65.0	19.0	94.8	79.7	15	12.7	9.4
8	20	19.05	15.75	71.0	19.0	58.2	19.0	76.9	40.0	8	12.7	9.4
15	20	19.05	15.75	88.0	19.0	67.2	19.0	97.9	79.7	15	12.7	9.4
	20	19.05	15.75	88.0	19.0	67.2	19.0	97.9	79.7	20	19.05	15.75
8	25	25.4	22.1	83.0	25.0	64.2	19.0	80.1	40.0	8	12.7	9.4
15	25	25.4	22.1	100.0	25.0	72.7	19.0	101.1	79.7	15	12.7	9.4
	25	25.4	22.1	100.0	25.0	72.7	19.0	101.1	79.7	20	19.05	15.75
25	25	25.4	22.1	125.0	25.0	95.0	25.0	119.1	94.0	25	25.4	22.1
8	40	38.1	34.8	83.0	25.0	77.3	19.0	86.4	40.0	8	12.7	9.4
15	40	38.1	34.8	100.0	25.0	85.8	19.0	107.5	79.7	15	12.7	9.4
	40	38.1	34.8	100.0	25.0	85.8	19.0	107.5	79.7	20	19.05	15.75
25	40	38.1	34.8	125.0	25.0	105.2	25.0	125.5	94.0	25	25.4	22.1
40	40	38.1	34.8	146.9	25.0	118.1	25.0	139.6	118.2	40	38.1	34.8
8	50	50.8	47.5	93.0	30.0	90.9	19.0	97.6	40.0	8	12.7	9.4



Handle - PA and Bonnet - SS (Refer Figure 302)												
LDG	Main Conn. Size (DN1)	A	B	E	E1	F	F1	G	H	Upright Conn. Size (DN2)	C	D
		(mm)	(mm)	(mm)	(mm)	(mm)	(mm)	(mm)	(mm)		(mm)	(mm)
15	50	50.8	47.5	110.0	30.0	99.0	19.0	113.8	79.7	15	12.7	9.4
	50	50.8	47.5	110.0	30.0	99.0	19.0	113.8	79.7	20	19.05	15.75
25	50	50.8	47.5	135.0	30.0	118.3	25.0	131.8	94.0	25	25.4	22.1
40	50	50.8	47.5	156.9	30.0	131.1	25.0	146.0	118.2	40	38.1	34.8
	50	50.8	47.5	156.9	30.0	136.1	30.0	146.0	118.2	50	50.8	47.5
50	50	50.8	47.5	181.1	30.0	148.8	30.0	180.6	150.6	50	50.8	47.5
8	65	63.5	60.2	101.0	34.0	103.9	19.0	94.8	40.0	8	12.7	9.4
15	65	63.5	60.2	118.0	34.0	112.1	19.0	120.2	79.7	15	12.7	9.4
	65	63.5	60.2	118.0	34.0	112.1	19.0	120.2	79.7	20	19.05	15.75
25	65	63.5	60.2	143.0	34.0	131.5	25.0	138.2	94.0	25	25.4	22.1
40	65	63.5	60.2	164.9	34.0	146.3	25.0	152.3	118.2	40	38.1	34.8
	65	63.5	60.2	164.9	34.0	149.3	30.0	152.3	118.2	50	50.8	47.5
50	65	63.5	60.2	189.1	34.0	162.0	30.0	189.3	150.6	50	50.8	47.5
	65	63.5	60.2	189.1	34.0	165.9	34.0	186.6	150.6	65	63.5	60.2
8	80	76.2	72.9	113.0	40.0	117.1	19.0	101.1	40.0	8	12.7	9.4
15	80	76.2	72.9	130.0	40.0	125.3	19.0	126.5	79.7	15	12.7	9.4
	80	76.2	72.9	130.0	40.0	125.3	19.0	126.5	79.7	20	19.05	15.75
25	80	76.2	72.9	155.0	40.0	144.6	25.0	144.5	94.0	25	25.4	22.1
40	80	76.2	72.9	176.9	40.0	157.4	25.0	158.7	118.2	40	38.1	34.8
	80	76.2	72.9	176.9	40.0	162.4	30.0	158.7	118.2	50	50.8	47.5
50	80	76.2	72.9	201.1	40.0	175.0	30.0	194.9	150.6	50	50.8	47.5
	80	76.2	72.9	201.1	40.0	179.0	34.0	193.0	150.6	65	63.5	60.2
	80	76.2	72.9	201.1	40.0	186.0	40.0	192.0	150.6	80	76.2	72.9
8	100	101.6	97.38	113.0	40.0	142.9	19.0	114.2	40.0	8	12.7	9.4
15	100	101.6	97.38	130.0	40.0	150.5	19.0	130.3	79.7	15	12.7	9.4
	100	101.6	97.38	130.0	40.0	150.5	19.0	130.3	79.7	20	19.05	15.75
25	100	101.6	97.38	155.0	40.0	169.9	25.0	149.2	94.0	25	25.4	22.1
40	100	101.6	97.38	176.9	40.0	183.3	25.0	170.9	118.2	40	38.1	34.8
	100	101.6	97.38	176.9	40.0	188.3	30.0	170.9	118.2	50	50.8	47.5
50	100	101.6	97.38	201.1	40.0	200.0	30.0	205.2	150.6	50	50.8	47.5
	100	101.6	97.38	201.1	40.0	204.9	34.0	205.2	150.6	65	63.5	60.2
	100	101.6	97.38	201.1	40.0	211.7	40.0	205.2	150.6	80	76.2	72.9

T-Pattern Diaphragm Valve, Forged Stainless Steel Body, Manually Operated with Butt-weld End

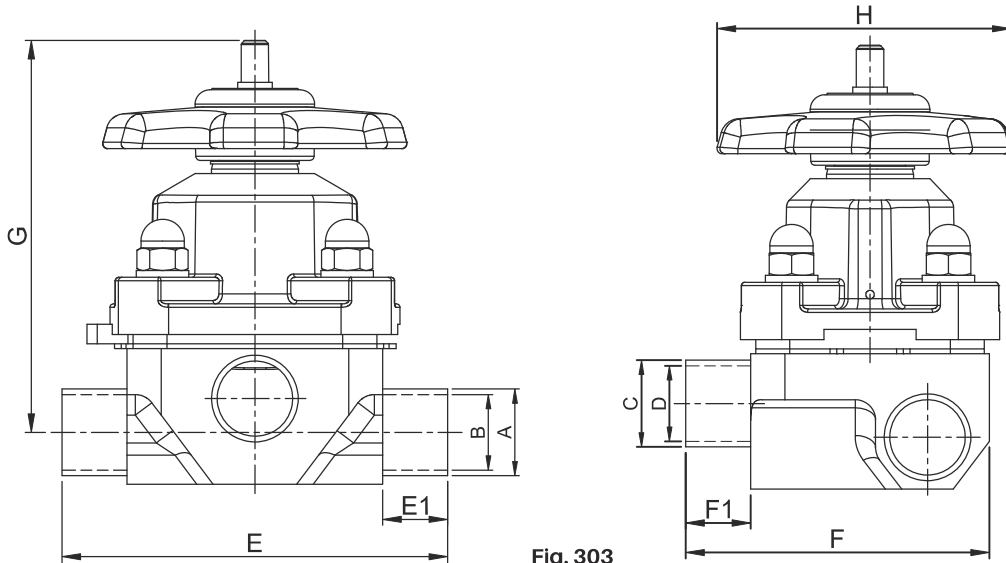


Fig. 303

Dimensions for end connections according to ASME BPE connection type

Handle and Bonnet - Stainless Steel (Refer Figure 303)												
LDG	Main Conn. Size (DN1)	A	B	E	E1	F	F1	G	H	Upright Conn. Size (DN2)	C	D
		(mm)	(mm)	(mm)	(mm)	(mm)	(mm)	(mm)	(mm)		(mm)	(mm)
8	8	12.7	9.4	71.0	19.0	52.0	19.0	73.3	40.0	8	12.7	9.4
	15	12.7	9.4	71.0	19.0	52.0	19.0	73.7	40.0	8	12.7	9.4
15	15	12.7	9.4	88.0	19.0	65.0	19.0	89.3	80.4	15	12.7	9.4
8	20	19.05	15.75	71.0	19.0	58.2	19.0	76.9	40.0	8	12.7	9.4
15	20	19.05	15.75	88.0	19.0	67.2	19.0	92.5	80.4	15	12.7	9.4
	20	19.05	15.75	88.0	19.0	67.2	19.0	92.5	80.4	20	19.05	15.75
8	25	25.4	22.1	83.0	25.0	64.2	19.0	80.1	40.0	8	12.7	9.4
15	25	25.4	22.1	100.0	25.0	72.7	19.0	95.6	80.4	15	12.7	9.4
	25	25.4	22.1	100.0	25.0	72.7	19.0	95.6	80.4	20	19.05	15.75
25	25	25.4	22.1	125.0	25.0	95.0	25.0	114.9	89.6	25	25.4	22.1
8	40	38.1	34.8	83.0	25.0	77.3	19.0	86.4	40.0	8	12.7	9.4
15	40	38.1	34.8	100.0	25.0	85.8	19.0	102.0	80.4	15	12.7	9.4
	40	38.1	34.8	100.0	25.0	85.8	19.0	102.0	80.4	20	19.05	15.75
25	40	38.1	34.8	125.0	25.0	105.2	25.0	121.3	89.6	25	25.4	22.1
40	40	38.1	34.8	146.9	25.0	118.1	25.0	146.4	115.8	40	38.1	34.8
8	50	50.8	47.5	93.0	30.0	90.9	19.0	97.6	40.0	8	12.7	9.4



Handle and Bonnet - Stainless Steel (Refer Figure 303)												
LDG	Main Conn. Size (DN1)	A	B	E	E1	F	F1	G	H	Upright Conn. Size (DN2)	C	D
		(mm)	(mm)	(mm)	(mm)	(mm)	(mm)	(mm)	(mm)		(mm)	(mm)
15	50	50.8	47.5	110.0	30.0	99.0	19.0	108.3	80.4	15	12.7	9.4
	50	50.8	47.5	110.0	30.0	99.0	19.0	108.3	80.4	20	19.05	15.75
25	50	50.8	47.5	135.0	30.0	118.3	25.0	127.6	89.6	25	25.4	22.1
40	50	50.8	47.5	156.9	30.0	131.1	25.0	152.8	115.8	40	38.1	34.8
	50	50.8	47.5	156.9	30.0	136.1	30.0	152.8	115.8	50	50.8	47.5
50	50	50.8	47.5	181.1	30.0	148.8	30.0	172.6	152.5	50	50.8	47.5
8	65	63.5	60.2	101.0	34.0	103.9	19.0	94.8	40.0	8	12.7	9.4
15	65	63.5	60.2	118.0	34.0	112.1	19.0	114.7	80.4	15	12.7	9.4
	65	63.5	60.2	118.0	34.0	112.1	19.0	114.7	80.4	20	19.05	15.75
25	65	63.5	60.2	143.0	34.0	131.5	25.0	134.0	89.6	25	25.4	22.1
40	65	63.5	60.2	164.9	34.0	146.3	25.0	159.1	115.8	40	38.1	34.8
	65	63.5	60.2	164.9	34.0	149.3	30.0	159.1	115.8	50	50.8	47.5
50	65	63.5	60.2	189.1	34.0	162.0	30.0	181.3	152.5	50	50.8	47.5
	65	63.5	60.2	189.1	34.0	165.9	34.0	178.6	152.5	65	63.5	60.2
8	80	76.2	72.9	113.0	40.0	117.1	19.0	101.1	40.0	8	12.7	9.4
15	80	76.2	72.9	130.0	40.0	125.3	19.0	121.0	80.4	15	12.7	9.4
	80	76.2	72.9	130.0	40.0	125.3	19.0	121.0	80.4	20	19.05	15.75
25	80	76.2	72.9	155.0	40.0	144.6	25.0	140.3	89.6	25	25.4	22.1
40	80	76.2	72.9	176.9	40.0	157.4	25.0	165.5	115.8	40	38.1	34.8
	80	76.2	72.9	176.9	40.0	162.4	30.0	165.5	115.8	50	50.8	47.5
50	80	76.2	72.9	201.1	40.0	175.0	30.0	186.9	152.5	50	50.8	47.5
	80	76.2	72.9	201.1	40.0	179.0	34.0	185.0	152.5	65	63.5	60.2
	80	76.2	72.9	201.1	40.0	186.0	40.0	185.0	152.5	80	76.2	72.9
80	80	76.2	72.9	270.0	40.0	208.5	40.0	225.7	234.0	80	76.2	72.9
8	100	101.6	97.38	113.0	40.0	142.9	19.0	114.2	40.0	8	12.7	9.4
15	100	101.6	97.38	130.0	40.0	150.5	19.0	124.8	80.4	15	12.7	9.4
	100	101.6	97.38	130.0	40.0	150.5	19.0	124.8	80.4	20	19.05	15.75
25	100	101.6	97.38	155.0	40.0	169.9	25.0	145.0	89.6	25	25.4	22.1
40	100	101.6	97.38	176.9	40.0	183.3	25.0	177.7	115.8	40	38.1	34.8
	100	101.6	97.38	176.9	40.0	188.3	30.0	177.7	115.8	50	50.8	47.5
50	100	101.6	97.38	201.1	40.0	200.0	30.0	197.2	152.5	50	50.8	47.5
	100	101.6	97.38	201.1	40.0	204.9	34.0	197.2	152.5	65	63.5	60.2
	100	101.6	97.38	201.1	40.0	211.7	40.0	197.2	152.5	80	76.2	72.9
80	100	101.6	97.38	270.0	40.0	234.5	40.0	238.0	234.0	80	76.2	72.9
100	100	101.6	97.38	309.0	40.0	273.5	40.0	286.4	320.0	100	101.6	97.38

Order Sample:

LE	30	A	25	15	P	P	C	E	B	9
1	2	3	4	5	6	7	8	9	10	11

Order Codes:

1	Make	Code
	Leistung	LE
2	Series	Code
	Manually operated T pattern valves	30
3	Connection std	Code
	ASME BPE	A
	BS 4825	B
	EN ISO 1127/ISO 4200	E
4	Main Connection Size	Code
	Mini	08
	1/2"	15
	3/4"	20
	3/4" (Ø35)	20A
	3/4" (Ø50)	20B
	1"	25
	1 1/2"	40
	2" Eco	50E
	2"	50
	2 1/2"	65
	3" Eco	80E
	3"	80
	4"	100

5	User point Connection Size	Code
	Mini	08
	1/2"	15
	3/4"	20
	3/4" (Ø35)	20A
	3/4" (Ø50)	20B
	1"	25
	1 1/2"	40
	2" Eco	50E
	2"	50
	2 1/2"	65
	3" Eco	80E
	3"	80
	4"	100
6	MOC of Diaphragm	Code
	EPDM	E
	PTFE	P
7	MOC of Handle	Code
	ASTM A 351 GR CF8	C
	Polyamide	P
8	MOC of Bonnet	Code
	ASTM A 351 GR CF8	C
	Polyamide	P
9	Surface Finish	Code
	Mechanical	M
	Electropolish	E
10	Type of End Connection	Code
	Buttweld	B
	V - Band (Hygienic clamp)	T
	User TC	U
11	Certificate	Code
	ISO 9001	9
	PED 2014/68/EU	P