

Series 35 - Pneumatically operated T pattern valve

SteriPure T valves are machined from single block either in 316L or 1.4435 avoiding weld seams.

- Compact design
- Zero dead leg
- Various internal surface finish available
- Internal surface finish of less than 0.4 Ra
- Clamps and flanges available on request



T-Pattern Diaphragm Valve, Forged Stainless Steel Body, Actuated with Butt-weld End

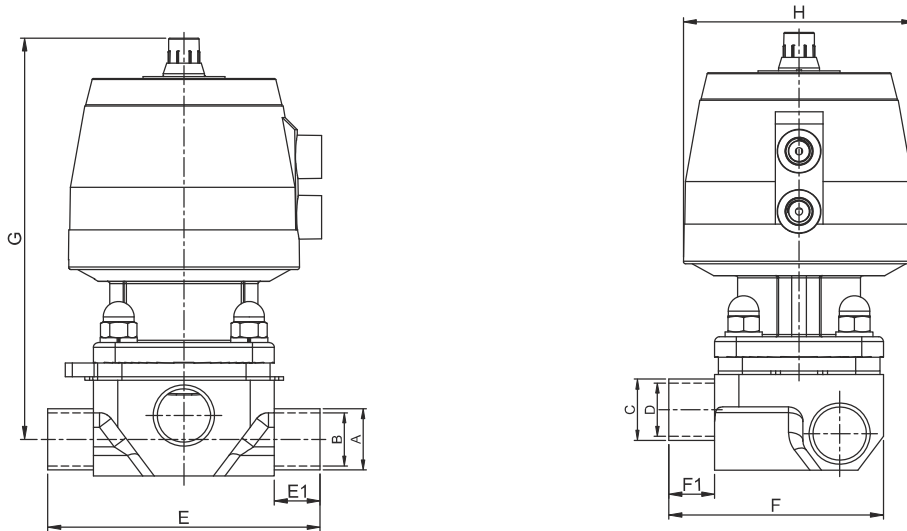


Fig. 351

Dimensions for end connections according to ASME BPE connection type

Cylinder - PA and Base - SS (Refer Figure 351)												
LDG	Main Conn. Size (DN1)	A	B	E	E1	F	F1	G	H	Upright Conn. Size (DN2)	C	D
		(mm)	(mm)	(mm)	(mm)	(mm)	(mm)	(mm)	(mm)		(mm)	(mm)
8	8	12.7	9.4	71.0	19.0	52.0	19.0	125.3	51.7	8	12.7	9.4
	15	12.7	9.4	71.0	19.0	52.0	19.0	125.7	51.7	8	12.7	9.4
15	15	12.7	9.4	88.0	19.0	65.0	19.0	121.2	68.0	15	12.7	9.4
8	20	19.05	15.75	71.0	19.0	58.2	19.0	129.0	51.7	8	12.7	9.4
15	20	19.05	15.75	88.0	19.0	67.2	19.0	124.5	68.0	15	12.7	9.4
	20	19.05	15.75	88.0	19.0	67.2	19.0	124.5	68.0	20	19.05	15.75
8	25	25.4	22.1	83.0	25.0	64.2	19.0	132.1	51.7	8	12.7	9.4
15	25	25.4	22.1	100.0	25.0	72.7	19.0	127.6	68.0	15	12.7	9.4
	25	25.4	22.1	100.0	25.0	72.7	19.0	127.6	68.0	20	19.05	15.75
25	25	25.4	22.1	125.0	25.0	95.0	25.0	166.5	96.0	25	25.4	22.1
8	40	38.1	34.8	83.0	25.0	77.3	19.0	138.5	51.7	8	12.7	9.4
15	40	38.1	34.8	100.0	25.0	85.8	19.0	134.0	68.0	15	12.7	9.4
	40	38.1	34.8	100.0	25.0	85.8	19.0	134.0	68.0	20	19.05	15.75
25	40	38.1	34.8	125.0	25.0	105.2	25.0	172.8	96.0	25	25.4	22.1
40	40	38.1	34.8	146.9	25.0	118.1	25.0	236.2	151.5	40	38.1	34.8
8	50	50.8	47.5	93.0	30.0	90.9	19.0	149.7	51.7	8	12.7	9.4



Cylinder - PA and Base - SS (Refer Figure 351)												
LDG	Main Conn. Size (DN1)	A	B	E	E1	F	F1	G	H	Upright Conn. Size (DN2)	C	D
		(mm)	(mm)	(mm)	(mm)	(mm)	(mm)	(mm)	(mm)		(mm)	(mm)
15	50	50.8	47.5	110.0	30.0	99.0	19.0	140.3	68.0	15	12.7	9.4
	50	50.8	47.5	110.0	30.0	99.0	19.0	140.3	68.0	20	19.05	15.75
25	50	50.8	47.5	135.0	30.0	118.3	25.0	179.2	96.0	25	25.4	22.1
40	50	50.8	47.5	156.9	30.0	131.1	25.0	242.5	151.5	40	38.1	34.8
	50	50.8	47.5	156.9	30.0	136.1	30.0	242.5	151.5	50	50.8	47.5
50	50	50.8	47.5	181.1	30.0	148.8	30.0	283.7	178.3	50	50.8	47.5
8	65	63.5	60.2	101.0	34.0	103.9	19.0	146.8	51.7	8	12.7	9.4
15	65	63.5	60.2	118.0	34.0	112.1	19.0	146.7	68.0	15	12.7	9.4
	65	63.5	60.2	118.0	34.0	112.1	19.0	146.7	68.0	20	19.05	15.75
25	65	63.5	60.2	143.0	34.0	131.5	25.0	185.5	96.0	25	25.4	22.1
40	65	63.5	60.2	164.9	34.0	146.3	25.0	248.9	151.5	40	38.1	34.8
	65	63.5	60.2	164.9	34.0	149.3	30.0	248.9	151.5	50	50.8	47.5
50	65	63.5	60.2	189.1	34.0	162.0	30.0	292.3	178.3	50	50.8	47.5
	65	63.5	60.2	189.1	34.0	165.9	34.0	289.7	178.3	65	63.5	60.2
8	80	76.2	72.9	113.0	40.0	117.1	19.0	153.2	51.7	8	12.7	9.4
15	80	76.2	72.9	130.0	40.0	125.3	19.0	153.0	68.0	15	12.7	9.4
	80	76.2	72.9	130.0	40.0	125.3	19.0	153.0	68.0	20	19.05	15.75
25	80	76.2	72.9	155.0	40.0	144.6	25.0	191.9	96.0	25	25.4	22.1
40	80	76.2	72.9	176.9	40.0	157.4	25.0	255.2	151.5	40	38.1	34.8
	80	76.2	72.9	176.9	40.0	162.4	30.0	255.2	151.5	50	50.8	47.5
50	80	76.2	72.9	201.1	40.0	175.0	30.0	298.0	178.3	50	50.8	47.5
	80	76.2	72.9	201.1	40.0	179.0	34.0	296.0	178.3	65	63.5	60.2
	80	76.2	72.9	201.1	40.0	186.0	40.0	296.0	178.3	80	76.2	72.9
80	80	76.2	72.9	270.0	40.0	208.5	40.0	337.1	208.5	80	76.2	72.9
8	100	101.6	97.38	113.0	40.0	142.9	19.0	166.3	51.7	8	12.7	9.4
15	100	101.6	97.38	130.0	40.0	150.5	19.0	156.8	68.0	15	12.7	9.4
	100	101.6	97.38	130.0	40.0	150.5	19.0	156.8	68.0	20	19.05	15.75
25	100	101.6	97.38	155.0	40.0	169.9	25.0	196.6	96.0	25	25.4	22.1
40	100	101.6	97.38	176.9	40.0	183.3	25.0	267.5	151.5	40	38.1	34.8
	100	101.6	97.38	176.9	40.0	188.3	30.0	267.5	151.5	50	50.8	47.5
50	100	101.6	97.38	201.1	40.0	200.0	30.0	308.3	178.3	50	50.8	47.5
	100	101.6	97.38	201.1	40.0	204.9	34.0	308.3	178.3	65	63.5	60.2
	100	101.6	97.38	201.1	40.0	211.7	40.0	308.3	178.3	80	76.2	72.9
80	100	101.6	97.38	270.0	40.0	234.5	40.0	353.2	208.5	80	76.2	72.9

T-Pattern Diaphragm Valve, Forged Stainless Steel Body, Actuated with Butt-weld End

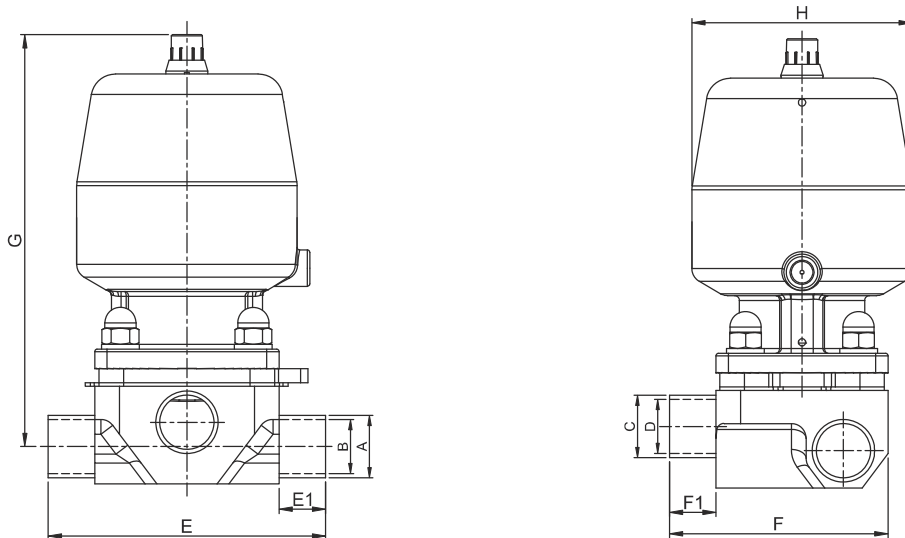


Fig. 352

Dimensions for end connections according to ASME BPE connection type

Cylinder and Base - Stainless Steel (Refer Figure 352)												
LDG	Main Conn. Size (DN1)	A	B	E	E1	F	F1	G	H	Upright Conn. Size (DN2)	C	D
		(mm)	(mm)	(mm)	(mm)	(mm)	(mm)	(mm)	(mm)		(mm)	(mm)
8	8	12.7	9.4	71.0	19.0	52.0	19.0	119.1	49.7	8	12.7	9.4
	15	12.7	9.4	71.0	19.0	52.0	19.0	119.5	49.7	8	12.7	9.4
15	15	12.7	9.4	88.0	19.0	65.0	19.0	122.9	66.0	15	12.7	9.4
8	20	19.05	15.75	71.0	19.0	58.2	19.0	122.7	49.7	8	12.7	9.4
15	20	19.05	15.75	88.0	19.0	67.2	19.0	126.1	66.0	15	12.7	9.4
	20	19.05	15.75	88.0	19.0	67.2	19.0	126.1	66.0	20	19.05	15.75
8	25	25.4	22.1	83.0	25.0	64.2	19.0	125.9	49.7	8	12.7	9.4
15	25	25.4	22.1	100.0	25.0	72.7	19.0	129.3	66.0	15	12.7	9.4
	25	25.4	22.1	100.0	25.0	72.7	19.0	129.3	66.0	20	19.05	15.75
25	25	25.4	22.1	125.0	25.0	95.0	25.0	167.7	89.7	25	25.4	22.1
8	40	38.1	34.8	83.0	25.0	77.3	19.0	132.2	49.7	8	12.7	9.4
15	40	38.1	34.8	100.0	25.0	85.8	19.0	135.6	66.0	15	12.7	9.4
	40	38.1	34.8	100.0	25.0	85.8	19.0	135.6	66.0	20	19.05	15.75
25	40	38.1	34.8	125.0	25.0	105.2	25.0	174.0	89.7	25	25.4	22.1
40	40	38.1	34.8	146.9	25.0	118.1	25.0	215.9	134.6	40	38.1	34.8
8	50	50.8	47.5	93.0	30.0	90.9	19.0	143.4	49.7	8	12.7	9.4



Cylinder and Base - Stainless Steel (Refer Figure 352)												
LDG	Main Conn. Size (DN1)	A	B	E	E1	F	F1	G	H	Upright Conn. Size (DN2)	C	D
		(mm)	(mm)	(mm)	(mm)	(mm)	(mm)	(mm)	(mm)		(mm)	(mm)
15	50	50.8	47.5	110.0	30.0	99.0	19.0	142.0	66.0	15	12.7	9.4
	50	50.8	47.5	110.0	30.0	99.0	19.0	142.0	66.0	20	19.05	15.75
25	50	50.8	47.5	135.0	30.0	118.3	25.0	180.4	89.7	25	25.4	22.1
40	50	50.8	47.5	156.9	30.0	131.1	25.0	222.3	134.6	40	38.1	34.8
	50	50.8	47.5	156.9	30.0	136.1	30.0	222.3	134.6	50	50.8	47.5
50	50	50.8	47.5	181.1	30.0	148.8	30.0	258.8	161.0	50	50.8	47.5
8	65	63.5	60.2	101.0	34.0	103.9	19.0	140.6	49.7	8	12.7	9.4
15	65	63.5	60.2	118.0	34.0	112.1	19.0	148.3	66.0	15	12.7	9.4
	65	63.5	60.2	118.0	34.0	112.1	19.0	148.3	66.0	20	19.05	15.75
25	65	63.5	60.2	143.0	34.0	131.5	25.0	186.7	89.7	25	25.4	22.1
40	65	63.5	60.2	164.9	34.0	146.3	25.0	228.6	134.6	40	38.1	34.8
	65	63.5	60.2	164.9	34.0	149.3	30.0	228.6	134.6	50	50.8	47.5
50	65	63.5	60.2	189.1	34.0	162.0	30.0	267.5	161.0	50	50.8	47.5
	65	63.5	60.2	189.1	34.0	165.9	34.0	264.8	161.0	65	63.5	60.2
8	80	76.2	72.9	113.0	40.0	117.1	19.0	146.9	49.7	8	12.7	9.4
15	80	76.2	72.9	130.0	40.0	125.3	19.0	154.7	66.0	15	12.7	9.4
	80	76.2	72.9	130.0	40.0	125.3	19.0	154.7	66.0	20	19.05	15.75
25	80	76.2	72.9	155.0	40.0	144.6	25.0	193.1	89.7	25	25.4	22.1
40	80	76.2	72.9	176.9	40.0	157.4	25.0	235.0	134.6	40	38.1	34.8
	80	76.2	72.9	176.9	40.0	162.4	30.0	235.0	134.6	50	50.8	47.5
50	80	76.2	72.9	201.1	40.0	175.0	30.0	273.1	161.0	50	50.8	47.5
	80	76.2	72.9	201.1	40.0	179.0	34.0	271.2	161.0	65	63.5	60.2
	80	76.2	72.9	201.1	40.0	186.0	40.0	271.2	161.0	80	76.2	72.9
80	80	76.2	72.9	270.0	40.0	208.5	40.0	302.5	191.0	80	76.2	72.9
8	100	101.6	97.38	113.0	40.0	142.9	19.0	160.0	49.7	8	12.7	9.4
15	100	101.6	97.38	130.0	40.0	150.5	19.0	158.4	66.0	15	12.7	9.4
	100	101.6	97.38	130.0	40.0	150.5	19.0	158.4	66.0	20	19.05	15.75
25	100	101.6	97.38	155.0	40.0	169.9	25.0	197.8	89.7	25	25.4	22.1
40	100	101.6	97.38	176.9	40.0	183.3	25.0	247.2	134.6	40	38.1	34.8
	100	101.6	97.38	176.9	40.0	188.3	30.0	247.2	134.6	50	50.8	47.5
50	100	101.6	97.38	201.1	40.0	200.0	30.0	283.4	161.0	50	50.8	47.5
	100	101.6	97.38	201.1	40.0	204.9	34.0	283.4	161.0	65	63.5	60.2
	100	101.6	97.38	201.1	40.0	211.7	40.0	283.4	161.0	80	76.2	72.9
80	100	101.6	97.38	270.0	40.0	234.5	40.0	314.8	191.0	80	76.2	72.9
100	100	101.6	97.38	309.0	40.0	273.5	40.0	460.9	229.0	100	101.6	97.38

Order Sample:

LE	35	A	40	25	P	O	P	P	SP	E	T	9
1	2	3	4	5	6	7	8	9	10	11	12	13

Order Codes:

1	Make	Code
	Leistung	LE
2	Series	Code
	Pneumatically operated T pattern valve	35
3	Connection std	Code
	ASME BPE	A
	BS 4825	B
	EN ISO 1127/ ISO 4200	E
4	Main Connection Size	Code
	Mini	08
	1/2"	15
	3/4"	20
	3/4" (Ø35)	20A
	3/4" (Ø50)	20B
	1"	25
	1 1/2"	40
	2" Eco	50E
	2"	50
	2 1/2"	65
	3" Eco	80E
	3"	80
	4"	100
5	User point Connection Size	Code
	Mini	08
	1/2"	15
	3/4"	20
	3/4" (Ø35)	20A
	3/4" (Ø50)	20B
	1"	25
	1 1/2"	40
	2" Eco	50E
	2"	50
	2 1/2"	65
	3" Eco	80E
	3"	80
	4"	100

6	MOC of Diaphragm	Code
	EPDM	E
	PTFE	P
7	Actuator Type	Code
	Normally Open	O
	Normally close	C
	Double Acting	A
8	MOC of Cylinder	Code
	ASTM A 351 GR CF8	C
	Polyamide	P
9	MOC of Base	Code
	ASTM A351 GR CF8	C
	Polyamide	P
10	PID control options	Code
	Signal operated controller	SO
	Smart PID controller	SM
	Smart Process PID controller	SP
	Not Applicable	NA
11	Surface Finish	Code
	Mechanical	M
	Electropolish	E
12	Type of End Connection	Code
	Buttweld	B
	V - Band (Hygienic clamp)	T
	User TC	U
13	Certificate	Code
	ISO 9001	9
	PED 2014/68/EU	P