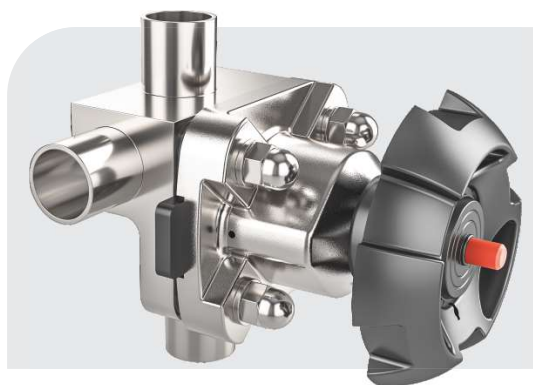
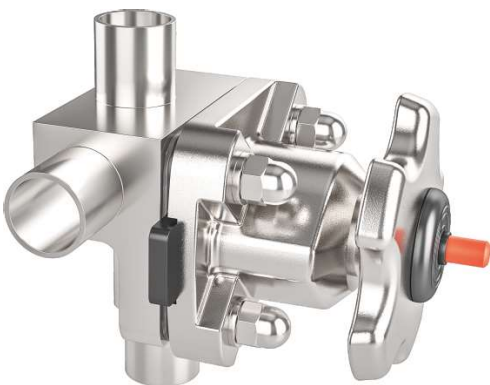


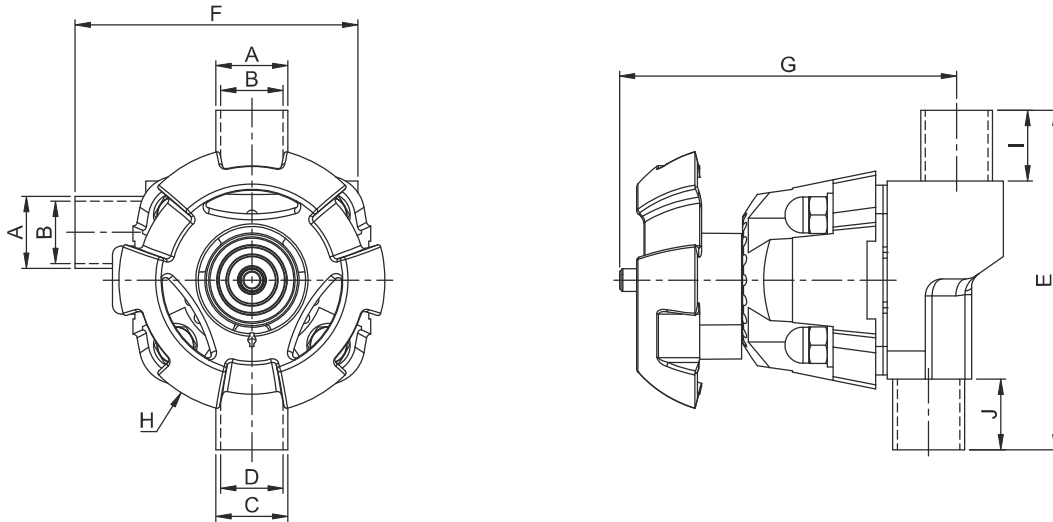
## Series 40 - Manually operated L pattern valve

SteriPure L valves are machined from single block either in 316L or 1.4435 avoiding weld seams.

- Compact design
- Zero dead leg
- Various internal surface finish available
- Internal surface finish of less than 0.4 Ra
- Clamps and flanges available on request



L-Pattern Diaphragm Valve, Forged Stainless Steel Body, Manually Operated with Butt-weld End



**Fig. 401**

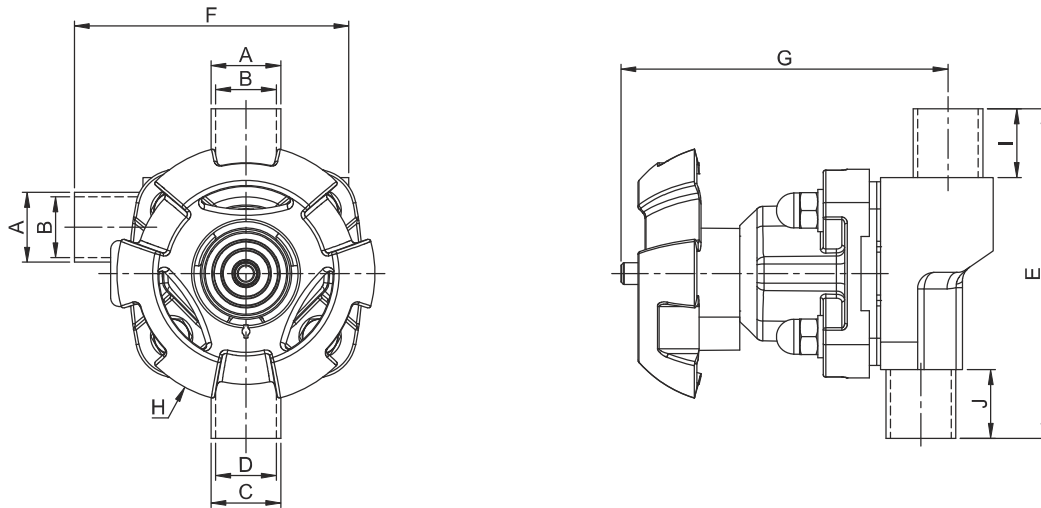
Dimensions for end connections according to ASME BPE connection type

Handle and Bonnet - Polyamide (Refer Figure 401)												
LDG	Main Conn. Size (DN1)	A	B	E	F	G	H	I	J	Upright Conn. Size (DN2)	C	D
		(mm)	(mm)	(mm)	(mm)	(mm)	(mm)	(mm)	(mm)		(mm)	(mm)
15	15	12.7	9.4	84.0	69.0	94.8	79.7	19.0	19.0	15	12.7	9.4
8	20	19.05	15.75	81.9	52.0	78.4	40.0	19.0	19.0	8	12.7	9.4
15	20	19.05	15.75	86.4	69.0	95.6	79.7	19.0	19.0	15	12.7	9.4
	20	19.05	15.75	86.4	69.0	95.6	79.7	19.0	19.0	20	19.05	15.75
8	25	25.4	22.1	91.0	58.0	81.1	40.0	25.0	19.0	8	12.7	9.4
15	25	25.4	22.1	98.9	75.0	101.1	79.7	25.0	19.0	15	12.7	9.4
	25	25.4	22.1	98.9	75.0	101.1	79.7	25.0	19.0	20	19.05	15.75
25	25	25.4	22.1	120.0	100.0	119.1	94.0	25.0	25.0	25	25.4	22.1
8	40	38.1	34.8	102.5	67.3	86.4	40.0	25.0	19.0	8	12.7	9.4
15	40	38.1	34.8	112.1	75.0	107.5	79.7	25.0	19.0	15	12.7	9.4
	40	38.1	34.8	112.1	75.0	107.5	79.7	25.0	19.0	20	19.05	15.75
25	40	38.1	34.8	131.5	100.0	125.5	94.0	25.0	25.0	25	25.4	22.1
40	40	38.1	34.8	144.9	121.9	139.6	118.2	25.0	25.0	40	38.1	34.8
8	50	50.8	47.5	122.3	88.3	91.8	40.0	30.0	19.0	8	12.7	9.4
15	50	50.8	47.5	136.3	88.3	109.6	79.7	30.0	19.0	15	12.7	9.4
	50	50.8	47.5	136.3	88.3	109.6	79.7	30.0	19.0	20	19.05	15.75



Handle and Bonnet - Polyamide (Refer Figure 401)												
LDG	Main Conn. Size (DN1)	A	B	E	F	G	H	I	J	Upright Conn. Size (DN2)	C	D
		(mm)	(mm)	(mm)	(mm)	(mm)	(mm)	(mm)	(mm)		(mm)	(mm)
25	50	50.8	47.5	149.6	105.0	131.8	94.0	30.0	25.0	25	25.4	22.1
40	50	50.8	47.5	162.4	126.9	146.0	118.2	30.0	25.0	40	38.1	34.8
	50	50.8	47.5	167.4	126.9	146.0	118.2	30.0	30.0	50	50.8	47.5
50	50	50.8	47.5	179.0	151.1	183.4	150.6	30.0	30.0	50	50.8	47.5
8	65	63.5	60.2	139.3	105.0	96.0	40.0	34.0	19.0	8	12.7	9.4
15	65	63.5	60.2	147.4	105.0	120.2	79.7	34.0	19.0	15	12.7	9.4
	65	63.5	60.2	147.4	105.0	120.2	79.7	34.0	19.0	20	19.05	15.75
25	65	63.5	60.2	166.8	109.0	138.2	94.0	34.0	25.0	25	25.4	22.1
40	65	63.5	60.2	179.6	130.9	152.3	118.2	34.0	25.0	40	38.1	34.8
	65	63.5	60.2	184.6	130.9	152.3	118.2	34.0	30.0	50	50.8	47.5
50	65	63.5	60.2	197.5	155.1	187.8	150.6	34.0	30.0	50	50.8	47.5
	65	63.5	60.2	201.1	155.1	185.6	150.6	34.0	34.0	65	63.5	60.2
8	80	76.2	72.9	158.3	123.7	102.4	40.0	40.0	19.0	8	12.7	9.4
15	80	76.2	72.9	166.5	123.7	124.2	79.7	40.0	19.0	15	12.7	9.4
	80	76.2	72.9	166.5	123.7	124.2	79.7	40.0	19.0	20	19.05	15.75
25	80	76.2	72.9	185.9	123.7	144.5	94.0	40.0	25.0	25	25.4	22.1
40	80	76.2	72.9	198.7	136.9	158.7	118.2	40.0	25.0	40	38.1	34.8
	80	76.2	72.9	203.7	136.9	158.7	118.2	40.0	30.0	50	50.8	47.5
50	80	76.2	72.9	216.5	161.1	193.7	150.6	40.0	30.0	50	50.8	47.5
	80	76.2	72.9	217.0	161.1	192.0	150.6	40.0	34.0	65	63.5	60.2
	80	76.2	72.9	224.0	161.1	192.0	150.6	40.0	40.0	80	76.2	72.9

L-Pattern Diaphragm Valve, Forged Stainless Steel Body, Manually Operated with Butt-weld End



**Fig. 402**

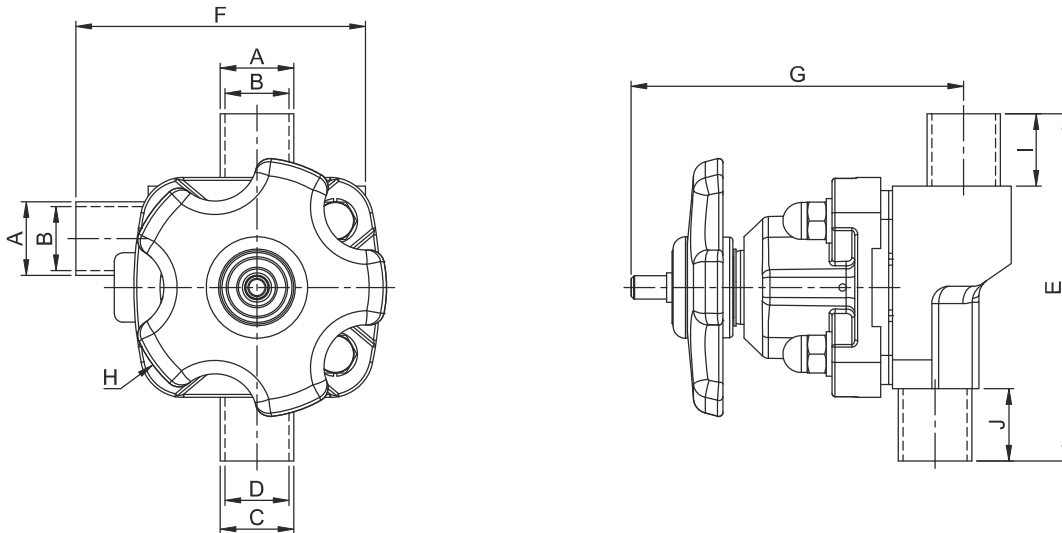
Dimensions for end connections according to ASME BPE connection type

Handle - PA and Bonnet - SS (Refer Figure 402)												
LDG	Main Conn. Size (DN1)	A	B	E	F	G	H	I	J	Upright Conn. Size (DN2)	C	D
		(mm)	(mm)	(mm)	(mm)	(mm)	(mm)	(mm)	(mm)		(mm)	(mm)
15	15	12.7	9.4	84.0	69.0	94.8	79.7	19.0	19.0	15	12.7	9.4
8	20	19.05	15.75	81.9	52.0	78.4	40.0	19.0	19.0	8	12.7	9.4
15	20	19.05	15.75	86.4	69.0	95.6	79.7	19.0	19.0	15	12.7	9.4
	20	19.05	15.75	86.4	69.0	95.6	79.7	19.0	19.0	20	19.05	15.75
8	25	25.4	22.1	91.0	58.0	81.1	40.0	25.0	19.0	8	12.7	9.4
15	25	25.4	22.1	98.9	75.0	101.1	79.7	25.0	19.0	15	12.7	9.4
	25	25.4	22.1	98.9	75.0	101.1	79.7	25.0	19.0	20	19.05	15.75
25	25	25.4	22.1	120.0	100.0	119.1	94.0	25.0	25.0	25	25.4	22.1
8	40	38.1	34.8	102.5	67.3	86.4	40.0	25.0	19.0	8	12.7	9.4
15	40	38.1	34.8	112.1	75.0	107.5	79.7	25.0	19.0	15	12.7	9.4
	40	38.1	34.8	112.1	75.0	107.5	79.7	25.0	19.0	20	19.05	15.75
25	40	38.1	34.8	131.5	100.0	125.5	94.0	25.0	25.0	25	25.4	22.1
40	40	38.1	34.8	144.9	121.9	139.6	118.2	25.0	25.0	40	38.1	34.8
8	50	50.8	47.5	122.3	88.3	91.8	40.0	30.0	19.0	8	12.7	9.4
15	50	50.8	47.5	136.3	88.3	109.6	79.7	30.0	19.0	15	12.7	9.4
	50	50.8	47.5	136.3	88.3	109.6	79.7	30.0	19.0	20	19.05	15.75



Handle - PA and Bonnet - SS (Refer Figure 402)												
LDG	Main Conn. Size (DN1)	A	B	E	F	G	H	I	J	Upright Conn. Size (DN2)	C	D
		(mm)	(mm)	(mm)	(mm)	(mm)	(mm)	(mm)	(mm)		(mm)	(mm)
25	50	50.8	47.5	149.6	105.0	131.8	94.0	30.0	25.0	25	25.4	22.1
40	50	50.8	47.5	162.4	126.9	146.0	118.2	30.0	25.0	40	38.1	34.8
	50	50.8	47.5	167.4	126.9	146.0	118.2	30.0	30.0	50	50.8	47.5
50	50	50.8	47.5	179.0	151.1	183.4	150.6	30.0	30.0	50	50.8	47.5
8	65	63.5	60.2	139.3	105.0	96.0	40.0	34.0	19.0	8	12.7	9.4
15	65	63.5	60.2	147.4	105.0	120.2	79.7	34.0	19.0	15	12.7	9.4
	65	63.5	60.2	147.4	105.0	120.2	79.7	34.0	19.0	20	19.05	15.75
25	65	63.5	60.2	166.8	109.0	138.2	94.0	34.0	25.0	25	25.4	22.1
40	65	63.5	60.2	179.6	130.9	152.3	118.2	34.0	25.0	40	38.1	34.8
	65	63.5	60.2	184.6	130.9	152.3	118.2	34.0	30.0	50	50.8	47.5
50	65	63.5	60.2	197.5	155.1	187.8	150.6	34.0	30.0	50	50.8	47.5
	65	63.5	60.2	201.1	155.1	185.6	150.6	34.0	34.0	65	63.5	60.2
8	80	76.2	72.9	158.3	123.7	102.4	40.0	40.0	19.0	8	12.7	9.4
15	80	76.2	72.9	166.5	123.7	124.2	79.7	40.0	19.0	15	12.7	9.4
	80	76.2	72.9	166.5	123.7	124.2	79.7	40.0	19.0	20	19.05	15.75
25	80	76.2	72.9	185.9	123.7	144.5	94.0	40.0	25.0	25	25.4	22.1
40	80	76.2	72.9	198.7	136.9	158.7	118.2	40.0	25.0	40	38.1	34.8
	80	76.2	72.9	203.7	136.9	158.7	118.2	40.0	30.0	50	50.8	47.5
50	80	76.2	72.9	216.5	161.1	193.7	150.6	40.0	30.0	50	50.8	47.5
	80	76.2	72.9	217.0	161.1	192.0	150.6	40.0	34.0	65	63.5	60.2
	80	76.2	72.9	224.0	161.1	192.0	150.6	40.0	40.0	80	76.2	72.9

L-Pattern Diaphragm Valve, Forged Stainless Steel Body, Manually Operated with Butt-weld End



**Fig. 403**

Dimensions for end connections according to ASME BPE connection type

Handle and Bonnet - Stainless Steel (Refer Figure 403)												
LDG	Main Conn. Size (DN1)	A	B	E	F	G	H	I	J	Upright Conn. Size (DN2)	C	D
		(mm)	(mm)	(mm)	(mm)	(mm)	(mm)	(mm)	(mm)			
15	15	12.7	9.4	84.0	69.0	86.9	80.4	19.0	19.0	15	12.7	9.4
8	20	19.05	15.75	81.9	52.0	78.4	40.0	19.0	19.0	8	12.7	9.4
15	20	19.05	15.75	86.4	69.0	90.1	80.4	19.0	19.0	15	12.7	9.4
	20	19.05	15.75	86.4	69.0	90.1	80.4	19.0	19.0	20	19.05	15.75
8	25	25.4	22.1	91.0	58.0	81.1	40.0	25.0	19.0	8	12.7	9.4
15	25	25.4	22.1	98.9	75.0	95.6	80.4	25.0	19.0	15	12.7	9.4
	25	25.4	22.1	98.9	75.0	95.6	80.4	25.0	19.0	20	19.05	15.75
25	25	25.4	22.1	120.0	100.0	114.9	89.6	25.0	25.0	25	25.4	22.1
8	40	38.1	34.8	102.5	67.3	86.4	40.0	25.0	19.0	8	12.7	9.4
15	40	38.1	34.8	112.1	75.0	102.0	80.4	25.0	19.0	15	12.7	9.4
	40	38.1	34.8	112.1	75.0	102.0	80.4	25.0	19.0	20	19.05	15.75
25	40	38.1	34.8	131.5	100.0	121.3	89.6	25.0	25.0	25	25.4	22.1
40	40	38.1	34.8	144.9	121.9	146.4	115.8	25.0	25.0	40	38.1	34.8
8	50	50.8	47.5	122.3	88.3	91.8	40.0	30.0	19.0	8	12.7	9.4
15	50	50.8	47.5	136.3	88.3	106.0	80.4	30.0	19.0	15	12.7	9.4
	50	50.8	47.5	136.3	88.3	106.0	80.4	30.0	19.0	20	19.05	15.75



Handle and Bonnet - Stainless Steel (Refer Figure 403)												
LDG	Main Conn. Size (DN1)	A	B	E	F	G	H	I	J	Upright Conn. Size (DN2)	C	D
		(mm)	(mm)	(mm)	(mm)	(mm)	(mm)	(mm)	(mm)		(mm)	(mm)
25	50	50.8	47.5	149.6	105.0	127.6	89.6	30.0	25.0	25	25.4	22.1
40	50	50.8	47.5	162.4	126.9	152.8	115.8	30.0	25.0	40	38.1	34.8
	50	50.8	47.5	167.4	126.9	152.8	115.8	30.0	30.0	50	50.8	47.5
50	50	50.8	47.5	179.0	151.1	176.4	152.5	30.0	30.0	50	50.8	47.5
8	65	63.5	60.2	139.3	105.0	96.0	40.0	34.0	19.0	8	12.7	9.4
15	65	63.5	60.2	147.4	105.0	114.7	80.4	34.0	19.0	15	12.7	9.4
	65	63.5	60.2	147.4	105.0	114.7	80.4	34.0	19.0	20	19.05	15.75
25	65	63.5	60.2	166.8	109.0	134.0	89.6	34.0	25.0	25	25.4	22.1
40	65	63.5	60.2	179.6	130.9	159.1	115.8	34.0	25.0	40	38.1	34.8
	65	63.5	60.2	184.6	130.9	159.1	115.8	34.0	30.0	50	50.8	47.5
50	65	63.5	60.2	197.5	155.1	180.8	152.5	34.0	30.0	50	50.8	47.5
	65	63.5	60.2	201.1	155.1	178.6	152.5	34.0	34.0	65	63.5	60.2
80	65	63.5	60.2	226.0	224.0	218.6	234.0	34.0	34.0	65	63.5	60.2
8	80	76.2	72.9	158.3	123.7	102.4	40.0	40.0	19.0	8	12.7	9.4
15	80	76.2	72.9	166.5	123.7	118.7	80.4	40.0	19.0	15	12.7	9.4
	80	76.2	72.9	166.5	123.7	118.7	80.4	40.0	19.0	20	19.05	15.75
25	80	76.2	72.9	185.9	123.7	140.3	89.6	40.0	25.0	25	25.4	22.1
40	80	76.2	72.9	198.7	136.9	165.5	115.8	40.0	25.0	40	38.1	34.8
	80	76.2	72.9	203.7	136.9	165.5	115.8	40.0	30.0	50	50.8	47.5
50	80	76.2	72.9	216.5	161.1	186.7	152.5	40.0	30.0	50	50.8	47.5
	80	76.2	72.9	217.0	161.1	185.0	152.5	40.0	34.0	65	63.5	60.2
	80	76.2	72.9	224.0	161.1	185.0	152.5	40.0	40.0	80	76.2	72.9

### Order Sample:

LE	40	A	25	15	P	P	C	E	B	9
1	2	3	4	5	6	7	8	9	10	11

### Order Codes:

<b>1</b>	<b>Make</b>	<b>Code</b>
	Leistung	LE
<b>2</b>	<b>Series</b>	<b>Code</b>
	Manually operated L pattern valves	40
<b>3</b>	<b>Connection std</b>	<b>Code</b>
	ASME BPE	A
	BS 4825	B
	EN ISO 1127/ ISO 4200	E
<b>4</b>	<b>Main Connection Size</b>	<b>Code</b>
	Mini	08
	1/2"	15
	3/4"	20
	3/4" (Ø35)	20A
	3/4" (Ø50)	20B
	1"	25
	1 1/2"	40
	2" Eco	50E
	2"	50
	2 1/2"	65
	3" Eco	80E
	3"	80
	4"	100

<b>5</b>	<b>User point Connection Size</b>	<b>Code</b>
	Mini	08
	1/2"	15
	3/4"	20
	3/4" (Ø35)	20A
	3/4" (Ø50)	20B
	1"	25
	1 1/2"	40
	2" Eco	50E
	2"	50
	2 1/2"	65
	3" Eco	80E
	3"	80
	4"	100
<b>6</b>	<b>MOC of Diaphragm</b>	<b>Code</b>
	EPDM	E
	PTFE	P
<b>7</b>	<b>MOC of Handle</b>	<b>Code</b>
	ASTM A 351 GR CF8	C
	Polyamide	P
<b>8</b>	<b>MOC of Bonnet</b>	<b>Code</b>
	ASTM A351 GR CF8	C
	Polyamide	P
<b>9</b>	<b>Surface Finish</b>	<b>Code</b>
	Mechanical	M
	Electropolish	E
<b>10</b>	<b>Type of End Connection</b>	<b>Code</b>
	Buttweld	B
	V - Band (Hygienic clamp)	T
	User TC	U
<b>11</b>	<b>Certificate</b>	<b>Code</b>
	ISO 9001	9
	PED 2014/68/EU	P