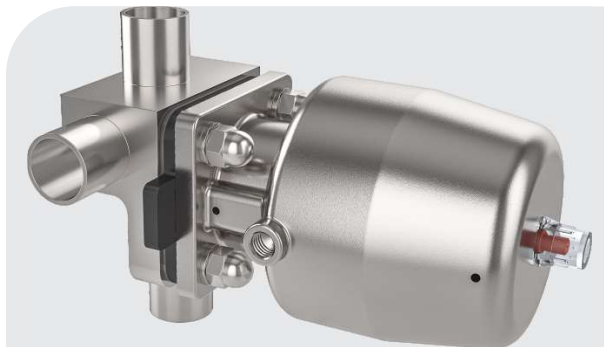


Series 45 - Pneumatically operated L pattern valves

SteriPure L valves are machined from single block either in 316L or 1.4435 avoiding weld seams.

- Compact design
- Zero dead leg
- Various internal surface finish available
- Internal surface finish of less than 0.4 Ra
- Clamps and flanges available on request



L-Pattern Diaphragm Valve, Forged Stainless Steel Body, Actuated with Butt-weld End

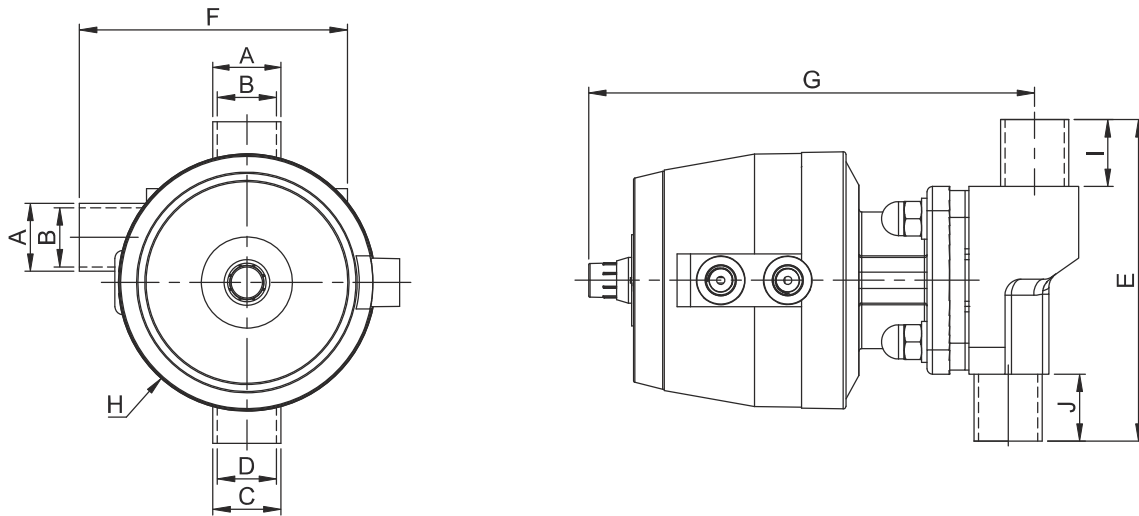


Fig. 451

Dimensions for end connections according to ASME BPE connection type

Cylinder - PA and Base - SS (Refer Figure 451)												
LDG	Main Conn. Size (DN1)	A	B	E	F	G	H	I	J	Upright Conn. Size (DN2)	C	D
		(mm)	(mm)	(mm)	(mm)	(mm)	(mm)	(mm)	(mm)		(mm)	(mm)
15	15	12.7	9.4	84.0	69.0	121.3	80.4	19.0	19.0	15	12.7	9.4
8	20	19.05	15.75	81.9	52.0	130.5	40.0	19.0	19.0	8	12.7	9.4
15	20	19.05	15.75	86.4	69.0	124.5	80.4	19.0	19.0	15	12.7	9.4
	20	19.05	15.75	86.4	69.0	124.5	80.4	19.0	19.0	20	19.05	15.75
8	25	25.4	22.1	91.0	58.0	133.1	40.0	25.0	19.0	8	12.7	9.4
15	25	25.4	22.1	98.9	75.0	127.6	80.4	25.0	19.0	15	12.7	9.4
	25	25.4	22.1	98.9	75.0	127.6	80.4	25.0	19.0	20	19.05	15.75
25	25	25.4	22.1	120.0	100.0	166.5	89.6	25.0	25.0	25	25.4	22.1
8	40	38.1	34.8	102.5	67.3	138.4	40.0	25.0	19.0	8	12.7	9.4
15	40	38.1	34.8	112.1	75.0	134.0	80.4	25.0	19.0	15	12.7	9.4
	40	38.1	34.8	112.1	75.0	134.0	80.4	25.0	19.0	20	19.05	15.75
25	40	38.1	34.8	131.5	100.0	172.0	89.6	25.0	25.0	25	25.4	22.1
40	40	38.1	34.8	144.9	121.9	236.2	115.8	25.0	25.0	40	38.1	34.8
8	50	50.8	47.5	122.3	88.3	143.8	40.0	30.0	19.0	8	12.7	9.4
15	50	50.8	47.5	136.3	88.3	140.3	80.4	30.0	19.0	15	12.7	9.4
	50	50.8	47.5	136.3	88.3	140.3	80.4	30.0	19.0	20	19.05	15.75



Cylinder - PA and Base - SS (Refer Figure 451)												
LDG	Main Conn. Size (DN1)	A	B	E	F	G	H	I	J	Upright Conn. Size (DN2)	C	D
		(mm)	(mm)	(mm)	(mm)	(mm)	(mm)	(mm)	(mm)		(mm)	(mm)
25	50	50.8	47.5	149.6	105.0	179.2	89.6	30.0	25.0	25	25.4	22.1
40	50	50.8	47.5	162.4	126.9	242.5	115.8	30.0	25.0	40	38.1	34.8
	50	50.8	47.5	167.4	126.9	242.5	115.8	30.0	30.0	50	50.8	47.5
50	50	50.8	47.5	179.0	151.1	287.4	152.5	30.0	30.0	50	50.8	47.5
8	65	63.5	60.2	139.3	105.0	148.1	40.0	34.0	19.0	8	12.7	9.4
15	65	63.5	60.2	147.4	105.0	146.7	80.4	34.0	19.0	15	12.7	9.4
	65	63.5	60.2	147.4	105.0	146.7	80.4	34.0	19.0	20	19.05	15.75
25	65	63.5	60.2	166.8	109.0	185.5	89.6	34.0	25.0	25	25.4	22.1
40	65	63.5	60.2	179.6	130.9	248.9	115.8	34.0	25.0	40	38.1	34.8
	65	63.5	60.2	184.6	130.9	248.9	115.8	34.0	30.0	50	50.8	47.5
50	65	63.5	60.2	197.5	155.1	291.9	152.5	34.0	30.0	50	50.8	47.5
	65	63.5	60.2	201.1	155.1	289.7	152.5	34.0	34.0	65	63.5	60.2
80	65	63.5	60.2	226.0	224.0	333.8	234.0	34.0	34.0	65	63.5	60.2
8	80	76.2	72.9	158.3	123.7	154.4	40.0	40.0	19.0	8	12.7	9.4
15	80	76.2	72.9	166.5	123.7	153.0	80.4	40.0	19.0	15	12.7	9.4
	80	76.2	72.9	166.5	123.7	153.0	80.4	40.0	19.0	20	19.05	15.75
25	80	76.2	72.9	185.9	123.7	191.9	89.6	40.0	25.0	25	25.4	22.1
40	80	76.2	72.9	198.7	136.9	255.2	115.8	40.0	25.0	40	38.1	34.8
	80	76.2	72.9	203.7	136.9	255.2	115.8	40.0	30.0	50	50.8	47.5
50	80	76.2	72.9	216.5	161.1	297.7	152.5	40.0	30.0	50	50.8	47.5
	80	76.2	72.9	217.0	161.1	296.0	152.5	40.0	34.0	65	63.5	60.2
	80	76.2	72.9	224.0	161.1	296.0	152.5	40.0	40.0	80	76.2	72.9

L-Pattern Diaphragm Valve, Forged Stainless Steel Body, Actuated with Butt-weld End

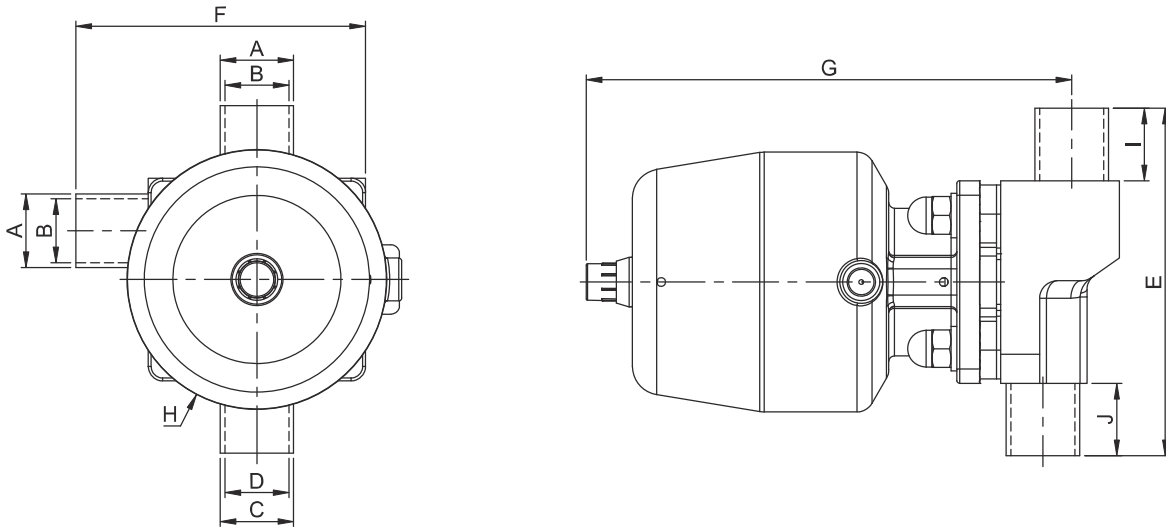


Fig. 452

Dimensions for end connections according to ASME BPE connection type

Cylinder and Base - Stainless Steel (Refer Figure 452)												
LDG	Main Conn. Size (DN1)	A	B	E	F	G	H	I	J	Upright Conn. Size (DN2)	C	D
		(mm)	(mm)	(mm)	(mm)	(mm)	(mm)	(mm)	(mm)		(mm)	(mm)
15	15	12.7	9.4	84.0	69.0	122.9	80.4	19.0	19.0	15	12.7	9.4
8	20	19.05	15.75	81.9	52.0	124.2	40.0	19.0	19.0	8	12.7	9.4
15	20	19.05	15.75	86.4	69.0	126.1	80.4	19.0	19.0	15	12.7	9.4
	20	19.05	15.75	86.4	69.0	126.1	80.4	19.0	19.0	20	19.05	15.75
8	25	25.4	22.1	91.0	58.0	126.9	40.0	25.0	19.0	8	12.7	9.4
15	25	25.4	22.1	98.9	75.0	129.3	80.4	25.0	19.0	15	12.7	9.4
	25	25.4	22.1	98.9	75.0	129.3	80.4	25.0	19.0	20	19.05	15.75
25	25	25.4	22.1	120.0	100.0	167.7	89.6	25.0	25.0	25	25.4	22.1
8	40	38.1	34.8	102.5	67.3	132.2	40.0	25.0	19.0	8	12.7	9.4
15	40	38.1	34.8	112.1	75.0	135.6	80.4	25.0	19.0	15	12.7	9.4
	40	38.1	34.8	112.1	75.0	135.6	80.4	25.0	19.0	20	19.05	15.75
25	40	38.1	34.8	131.5	100.0	174.0	89.6	25.0	25.0	25	25.4	22.1
40	40	38.1	34.8	144.9	121.9	215.9	115.8	25.0	25.0	40	38.1	34.8
8	50	50.8	47.5	122.3	88.3	137.6	40.0	30.0	19.0	8	12.7	9.4
15	50	50.8	47.5	136.3	88.3	142.0	80.4	30.0	19.0	15	12.7	9.4
	50	50.8	47.5	136.3	88.3	142.0	80.4	30.0	19.0	20	19.05	15.75



Cylinder and Base - Stainless Steel (Refer Figure 452)												
LDG	Main Conn. Size (DN1)	A	B	E	F	G	H	I	J	Upright Conn. Size (DN2)	C	D
		(mm)	(mm)	(mm)	(mm)	(mm)	(mm)	(mm)	(mm)		(mm)	(mm)
25	50	50.8	47.5	149.6	105.0	180.4	89.6	30.0	25.0	25	25.4	22.1
40	50	50.8	47.5	162.4	126.9	222.3	115.8	30.0	25.0	40	38.1	34.8
	50	50.8	47.5	167.4	126.9	222.3	115.8	30.0	30.0	50	50.8	47.5
50	50	50.8	47.5	179.0	151.1	262.6	152.5	30.0	30.0	50	50.8	47.5
8	65	63.5	60.2	139.3	105.0	141.8	40.0	34.0	19.0	8	12.7	9.4
15	65	63.5	60.2	147.4	105.0	148.3	80.4	34.0	19.0	15	12.7	9.4
	65	63.5	60.2	147.4	105.0	148.3	80.4	34.0	19.0	20	19.05	15.75
25	65	63.5	60.2	166.8	109.0	186.7	89.6	34.0	25.0	25	25.4	22.1
40	65	63.5	60.2	179.6	130.9	228.6	115.8	34.0	25.0	40	38.1	34.8
	65	63.5	60.2	184.6	130.9	228.6	115.8	34.0	30.0	50	50.8	47.5
50	65	63.5	60.2	197.5	155.1	267.0	152.5	34.0	30.0	50	50.8	47.5
	65	63.5	60.2	201.1	155.1	264.8	152.5	34.0	34.0	65	63.5	60.2
80	65	63.5	60.2	226.0	224.0	297.4	234.0	34.0	34.0	65	63.5	60.2
8	80	76.2	72.9	158.3	123.7	148.2	40.0	40.0	19.0	8	12.7	9.4
15	80	76.2	72.9	166.5	123.7	154.7	80.4	40.0	19.0	15	12.7	9.4
	80	76.2	72.9	166.5	123.7	154.7	80.4	40.0	19.0	20	19.05	15.75
25	80	76.2	72.9	185.9	123.7	155.8	89.6	40.0	25.0	25	25.4	22.1
40	80	76.2	72.9	198.7	136.9	235.0	115.8	40.0	25.0	40	38.1	34.8
	80	76.2	72.9	203.7	136.9	235.0	115.8	40.0	30.0	50	50.8	47.5
50	80	76.2	72.9	216.5	161.1	272.9	152.5	40.0	30.0	50	50.8	47.5
	80	76.2	72.9	217.0	161.1	271.2	152.5	40.0	34.0	65	63.5	60.2
	80	76.2	72.9	224.0	161.1	271.2	152.5	40.0	40.0	80	76.2	72.9

Order Sample:

LE	45	A	50	15	P	O	P	P	SP	E	T	9
1	2	3	4	5	6	7	8	9	10	11	12	13

Order Codes:

1	Make	Code
	Leistung	LE
2	Series	Code
	Pneumatically operated L pattern valve	45
3	Connection std	Code
	ASME BPE	A
	BS 4825	B
	EN ISO 1127/ ISO 4200	E
4	Main Connection Size	Code
	Mini	08
	1/2"	15
	3/4"	20
	3/4" (Ø35)	20A
	3/4" (Ø50)	20B
	1"	25
	1 1/2"	40
	2" Eco	50E
	2"	50
	2 1/2"	65
	3" Eco	80E
	3"	80
	4"	100
5	User point Connection Size	Code
	Mini	08
	1/2"	15
	3/4"	20
	3/4" (Ø35)	20A
	3/4" (Ø50)	20B
	1"	25
	1 1/2"	40
	2" Eco	50E
	2"	50
	2 1/2"	65
	3" Eco	80E
	3"	80
	4"	100

6	MOC of Diaphragm	Code
	EPDM	E
	PTFE	P
7	Actuator Type	Code
	Normally Open	O
	Normally close	C
	Double Acting	A
8	MOC of Cylinder	Code
	ASTM A 351 GR CF8	C
	Polyamide	P
9	MOC of Base	Code
	ASTM A351 GR CF8	C
	Polyamide	P
10	PID control options	Code
	Signal operated controller	SO
	Smart PID controller	SM
	Smart Process PID controller	SP
	Not Applicable	NA
11	Surface Finish	Code
	Mechanical	M
	Electropolish	E
12	Type of End Connection	Code
	Buttweld	B
	V - Band (Hygienic clamp)	T
	User TC	U
13	Certificate	Code
	ISO 9001	9
	PED 2014/68/EU	P