

Series 50 - Manually operated ZDL valve

ZDL valves offers a low-cost alternative to L pattern valves.

- Cast body available
- Zero dead leg
- Available sizes from DN 15 to DN 100
- Various internal surface finish available
- Internal surface finish of less than 0.4 Ra



ZDL Diaphragm Valve, Cast Stainless Steel Body,
Manually Operated with V-band (Hygienic) Clamp Connector

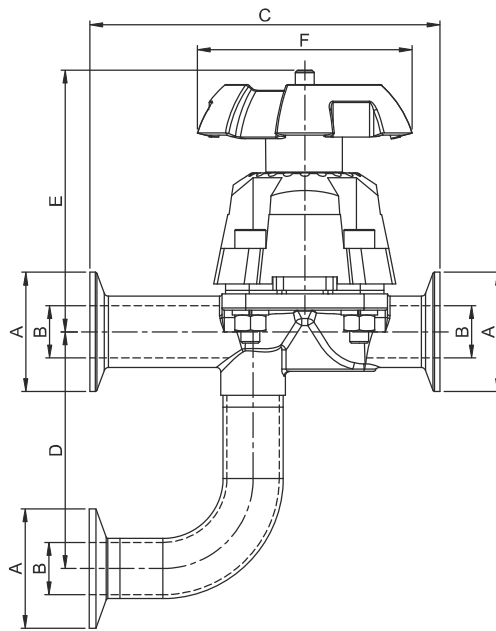


Fig. 501

Dimensions for end connections according to ASME BPE connection type

Handle and Bonnet - Polyamide (Refer Figure 501)							
LDG	DN	A	B	C	D	E	F
15	15	25.0	9.4	117.2	100.0	88.8	79.7
	20	25.0	15.75	128.3	100.0	91.5	79.7
	20	35.0	15.75	128.3	100.0	91.5	79.7
	20	50.4	15.75	128.3	100.0	91.5	79.7
25	25	50.4	22.1	148.0	100.0	110.7	94.0
40	40	50.4	34.8	182.2	100.0	129.1	118.2
	50	63.9	47.5	220.0	155.0	134.5	118.2
50	50	63.9	47.5	220.0	155.0	166.6	150.6
	65	77.4	60.2	271.3	165.0	172.8	150.6
	80	90.9	72.9	313.5	180.0	179.6	150.6

ZDL Diaphragm Valve, Cast Stainless Steel Body,
Manually Operated with V-band (Hygienic) Clamp Connector

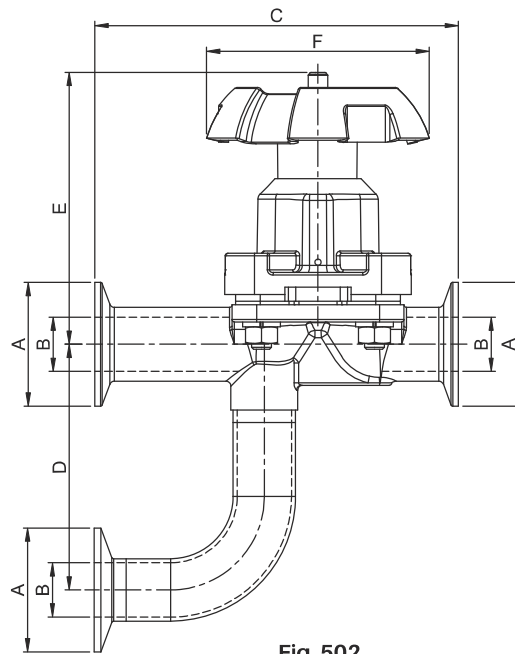


Fig. 502

Dimensions for end connections according to ASME BPE connection type

Handle - PA and Bonnet - SS (Refer Figure 502)							
LDG	DN	A	B	C	D	E	F
15	15	25.0	9.4	117.2	100.0	88.8	79.7
	20	25.0	15.75	128.3	100.0	91.5	79.7
	20	35.0	15.75	128.3	100.0	91.5	79.7
	20	50.4	15.75	128.3	100.0	91.5	79.7
25	25	50.4	22.1	148.0	100.0	110.7	94.0
40	40	50.4	34.8	182.2	100.0	129.1	118.2
	50	63.9	47.5	220.0	155.0	134.5	118.2
50	50	63.9	47.5	220.0	155.0	166.6	150.6
	65	77.4	60.2	271.3	165.0	172.8	150.6
	80	90.9	72.9	313.5	180.0	179.6	150.6

ZDL Diaphragm Valve, Cast Stainless Steel Body,
Manually Operated with V-band (Hygienic) Clamp Connector

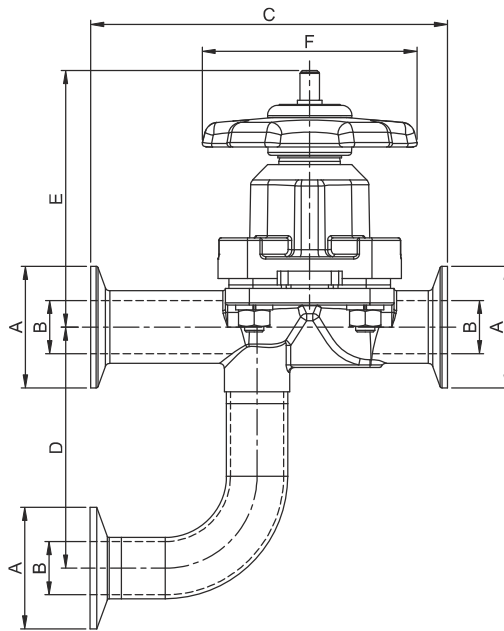


Fig. 503

Dimensions for end connections according to ASME BPE connection type

Handle and Bonnet - Stainless Steel (Refer Figure 503)							
LDG	DN	A	B	C	D	E	F
15	15	25.0	9.4	117.2	100.0	83.3	80.4
	20	25.0	15.75	128.3	100.0	83.6	80.4
	20	35.0	15.75	128.3	100.0	83.6	80.4
	20	50.4	15.75	128.3	100.0	83.6	80.4
25	25	50.4	22.1	148.0	100.0	106.5	89.6
40	40	50.4	34.8	182.2	100.0	135.9	115.8
	50	63.9	47.5	220.0	155.0	141.6	115.8
50	50	63.9	47.5	220.0	155.0	158.6	152.5
	65	77.4	60.2	271.3	165.0	165.8	152.5
	80	90.9	72.9	313.5	180.0	171.6	152.5
80	80	90.9	72.9	315.7	185.0	208.9	234.0
100	100	118.9	97.38	340.7	200.0	280.7	320.0



Order Sample:

LE	50	A	25	E	P	P	E	T	9
1	2	3	4	5	6	7	8	9	10

Order Codes:

1	Make	Code
	Leistung	LE
2	Series	Code
	Manually operated cast zero dead leg valve	50
3	Connection std	Code
	ASME BPE	A
	BS 4825	B
	EN ISO 1127/ ISO 4200	E
4	Connection Size	Code
	½"	15
	¾"	20
	¾" (Ø35)	20A
	¾" (Ø50)	20B
	1"	25
	1 ½"	40
	2" Eco	50E
	2"	50
	2 ½"	65
	3" Eco	80E
	3"	80
	4"	100

5	MOC of Diaphragm	Code
	EPDM	E
	PTFE	P
6	MOC of Handle	Code
	ASTM A 351 GR CF8	C
	Polyamide	P
7	MOC of Bonnet	Code
	ASTM A 351 GR CF8	C
	Polyamide	P
8	Surface Finish	Code
	Mechanical	M
	Electropolish	E
9	Type of End Connection	Code
	Buttweld	B
	V - Band (Hygienic clamp)	T
10	Certificate	Code
	ISO 9001	9
	PED 2014/68/EU	P