

SteriPure ZDL valve

LEISTUNG

Series 55 - Pneumatically operated ZDL valve

ZDL valves offers a low-cost alternative to L pattern valves.

- Cast body available
- Zero dead leg
- Available sizes from DN 15 to DN 100
- Various internal surface finish available
- Internal surface finish of less than 0.4 Ra
- Available in manual, pneumatic and other control options



2-Way Diaphragm Valve, Cast Stainless Steel Body,
Actuated with V-band (Hygienic) Clamp Connector

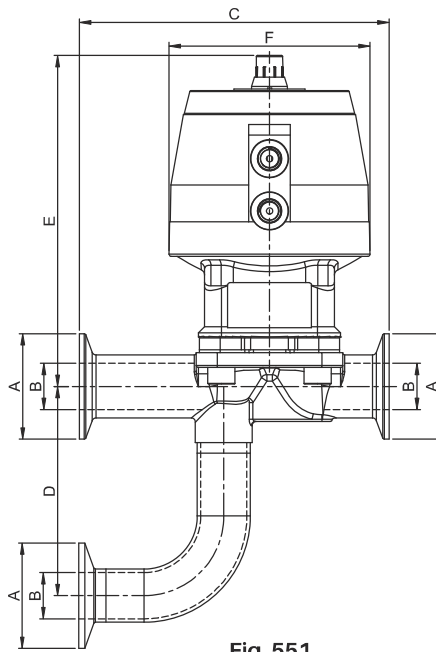


Fig. 551

Dimensions for end connections according to ASME BPE connection type

Cylinder and Base - Polyamide (Refer Figure 551)							
LDG	DN	A	B	C	D	E	F
15	15	25.0	9.4	117.2	100.0	115.3	68.0
	20	25.0	15.75	128.3	100.0	118.0	68.0
	20	35.0	15.75	128.3	100.0	118.0	68.0
	20	50.4	15.75	128.3	100.0	118.0	68.0
25	25	50.4	22.1	148.0	100.0	158.2	96.0
40	40	50.4	34.8	182.2	100.0	225.7	151.5
	50	63.9	47.5	220.0	155.0	231.9	151.5

2-Way Diaphragm Valve, Cast Stainless Steel Body,
Actuated with V-band (Hygienic) Clamp Connector

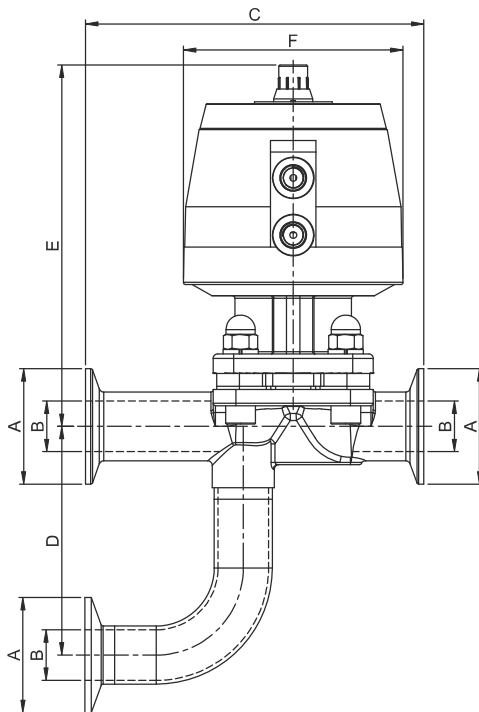


Fig. 552

Dimensions for end connections according to ASME BPE connection type

Cylinder - PA and Base - SS (Refer Figure 552)							
LDG	DN	A	B	C	D	E	F
15	15	25.0	9.4	117.2	100.0	115.3	68.0
	20	25.0	15.75	128.3	100.0	118.0	68.0
	20	35.0	15.75	128.3	100.0	118.0	68.0
	20	50.4	15.75	128.3	100.0	118.0	68.0
25	25	50.4	22.1	148.0	100.0	158.2	96.0
40	40	50.4	34.8	182.2	100.0	225.7	151.5
	50	63.9	47.5	220.0	155.0	231.9	151.5
50	50	63.9	47.5	220.0	155.0	269.7	173.3
	65	77.4	60.2	271.3	165.0	276.8	173.3
	80	90.9	72.9	313.5	180.0	282.7	173.3
80	80	90.9	72.9	315.7	185.0	324.1	208.5

2-Way Diaphragm Valve, Cast Stainless Steel Body, Actuated with V-band (Hygienic) Clamp Connector Cylinder and Base - Stainless Steel

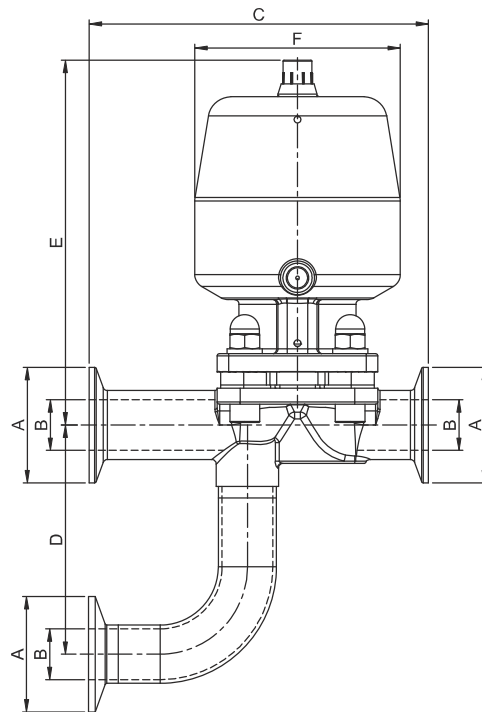


Fig. 553

Dimensions for end connections according to ASME BPE connection type

Cylinder and Base - Stainless Steel (Refer Figure 553)							
LDG	DN	A	B	C	D	E	F
15	15	25.0	9.4	117.2	100.0	116.9	66.0
	20	25.0	15.75	128.3	100.0	119.6	66.0
	20	35.0	15.75	128.3	100.0	119.6	66.0
	20	50.4	15.75	128.3	100.0	119.6	66.0
25	25	50.4	22.1	148.0	100.0	159.2	89.7
40	40	50.4	34.8	182.2	100.0	205.4	134.6
	50	63.9	47.5	220.0	155.0	211.1	134.6
50	50	63.9	47.5	220.0	155.0	244.8	161.0
	65	77.4	60.2	271.3	165.0	252.0	161.0
	80	90.9	72.9	313.5	180.0	257.8	161.0
80	80	90.9	72.9	315.7	185.0	287.7	191.0
100	100	118.9	97.38	340.7	200.0	455.2	229.0

Order Sample:

LE	55	A	20	P	C	P	P	SM	E	T	9
1	2	3	4	5	6	7	8	9	10	11	12

Order Codes:

1	Make	Code
	Leistung	LE
2	Series	Code
	Pneumatically operated zero dead leg casting valve	55
3	Connection std	Code
	ASME BPE	A
	BS 4825	B
	EN ISO 1127/ISO 4200	E
4	Connection Size	Code
	1/2"	15
	3/4"	20
	3/4" (Ø35)	20A
	3/4" (Ø50)	20B
	1"	25
	1 1/2"	40
	2" Eco	50E
	2"	50
	2 1/2"	65
	3" Eco	80E
	3"	80
	4"	100
	MOC of Diaphragm	Code
5	EPDM	E
	PTFE	P

6	Actuator Type	Code
	Normally Open	O
	Normally close	C
	Double Acting	A
7	MOC of Cylinder	Code
	ASTM A351 GR CF8	C
	Polyamide	P
8	MOC of Base	Code
	ASTM A351 GR CF8	C
	Polyamide	P
9	PID control options	Code
	Signal operated controller	SO
	Smart PID controller	SM
	Smart Process PID controller	SP
	Not Applicable	NA
10	Surface Finish	Code
	Mechanical	M
	Electropolish	E
11	Type of End Connection	Code
	Buttweld	B
	V - Band (Hygienic clamp)	T
12	Certificate	Code
	ISO 9001	9
	PED 2014/68/EU	P