

# SteriPure Tank bottom valve

LEISTUNG

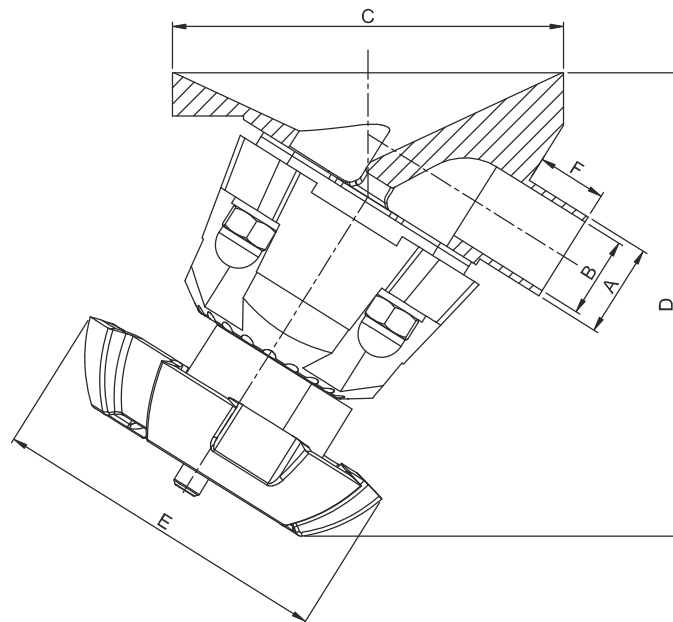
## Series 60 - Manually operated Tank bottom valve

Tank bottom valves are mainly used as outlet valves and are welded at the bottom of the tank to enable flushing, cleaning and sterilization. This makes them ideal for mixing tanks with no deadleg.

- Compact design for space restricted applications
- Simplified welding with provision of welding neck
- Optimized flow geometry
- Valve body materials is 316L or 1.4435
- CIP/SIP capable and crevice free
- Minimal deadleg and self-draining capabilities
- Various internal surface finish available
- Pipe connections as butt weld and clamp connections are available



Tank Bottom Diaphragm Valve, Forged Stainless Steel Body,  
Manually Operated with Butt-weld End

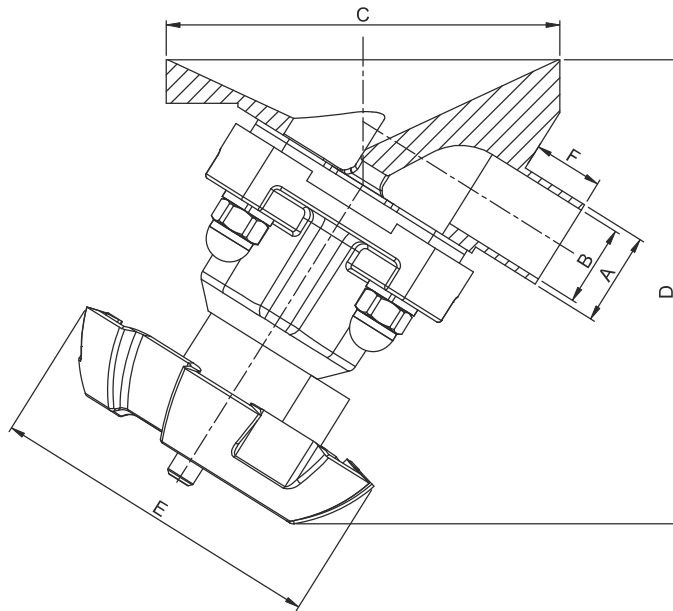


**Fig. 601**

Dimensions for end connections according to ASME BPE connection type

Handle and Bonnet - Polyamide (Refer Figure 601)							
LDG	DN	A	B	C	D	E	F
15	15	12.7	9.4	65.0	97.0	79.7	19.0
	20	19.05	15.75	65.0	97.0	79.7	19.0
25	25	25.4	22.1	107.0	126.7	94.0	19.0
40	40	38.1	34.8	140.0	150.9	118.2	19.0
	50	50.8	47.5	140.0	150.9	118.2	19.0
50	65	63.5	60.2	174.5	189.7	150.6	19.0
	80	76.2	72.9	188.6	187.6	150.6	19.0

Tank Bottom Diaphragm Valve, Forged Stainless Steel Body,  
Manually Operated with Butt-weld End

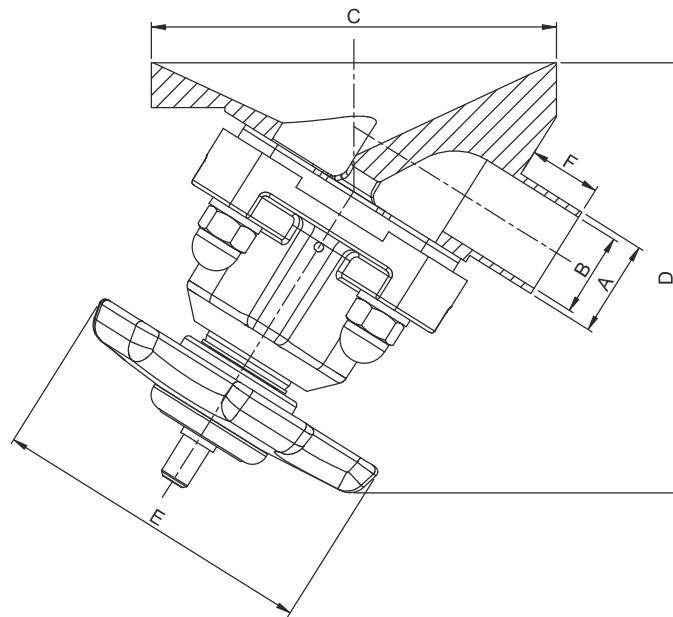


**Fig. 602**

Dimensions for end connections according to ASME BPE connection type

Handle - PA and Bonnet - SS (Refer Figure 602)							
LDG	DN	A	B	C	D	E	F
15	15	12.7	9.4	65.0	97.0	79.7	19.0
	20	19.05	15.75	65.0	97.0	79.7	19.0
25	25	25.4	22.1	107.0	126.7	94.0	19.0
40	40	38.1	34.8	140.0	150.9	118.2	19.0
	50	50.8	47.5	140.0	150.9	118.2	19.0
50	65	63.5	60.2	174.5	189.7	150.6	19.0
	80	76.2	72.9	188.6	187.6	150.6	19.0

Tank Bottom Diaphragm Valve, Forged Stainless Steel Body,  
Manually Operated with Butt-weld End

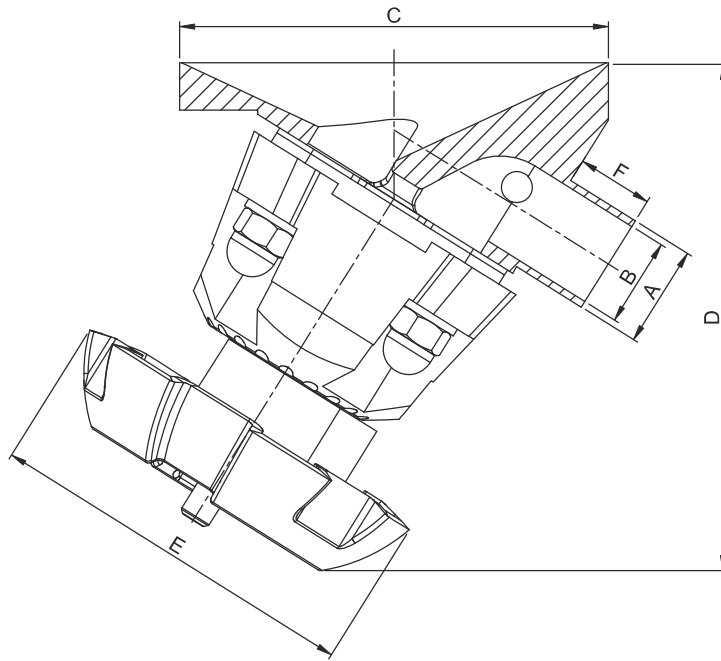


**Fig. 603**

Dimensions for end connections according to ASME BPE connection type

Handle and Bonnet - Stainless Steel (Refer Figure 603)							
LDG	DN	A	B	C	D	E	F
15	15	12.7	9.4	65.0	84.8	80.40	19.0
	20	19.05	15.75	65.0	84.8	80.40	19.0
25	25	25.4	22.1	107.0	113.5	89.60	19.0
40	40	38.1	34.8	140.0	150.7	115.8	19.0
	50	50.8	47.5	140.0	150.7	115.8	19.0
50	65	63.5	60.2	174.5	176.1	152.5	19.0
	80	76.2	72.9	188.6	174.1	152.5	19.0
80	80	76.2	72.9	275.0	250.0	234.0	19.0
100	100	101.6	97.38	346.9	373.2	320.0	19.0

Tank Bottom Diaphragm Valve with SIP port, Forged Stainless Steel Body,  
Manually Operated with Butt-weld End

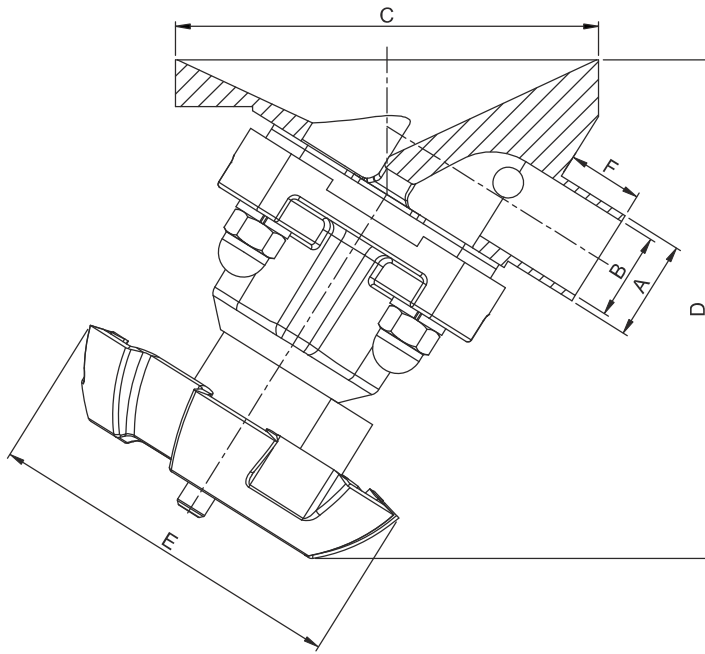


**Fig. 604**

Dimensions for end connections according to ASME BPE connection type

Handle and Bonnet - Polyamide (Refer Figure 604)							
LDG	DN	A	B	C	D	E	F
15	15	12.7	9.4	65.0	97.0	79.7	19.0
	20	19.05	15.75	65.0	97.0	79.7	19.0
25	25	25.4	22.1	107.0	126.7	94.0	19.0
40	40	38.1	34.8	140.0	150.9	118.2	19.0
	50	50.8	47.5	140.0	150.9	118.2	19.0
50	65	63.5	60.2	174.5	189.7	150.6	19.0
	80	76.2	72.9	188.6	187.6	150.6	19.0

Tank Bottom Diaphragm Valve with SIP port, ForgedStainless Steel Body,  
Manually Operated with Butt-weld End

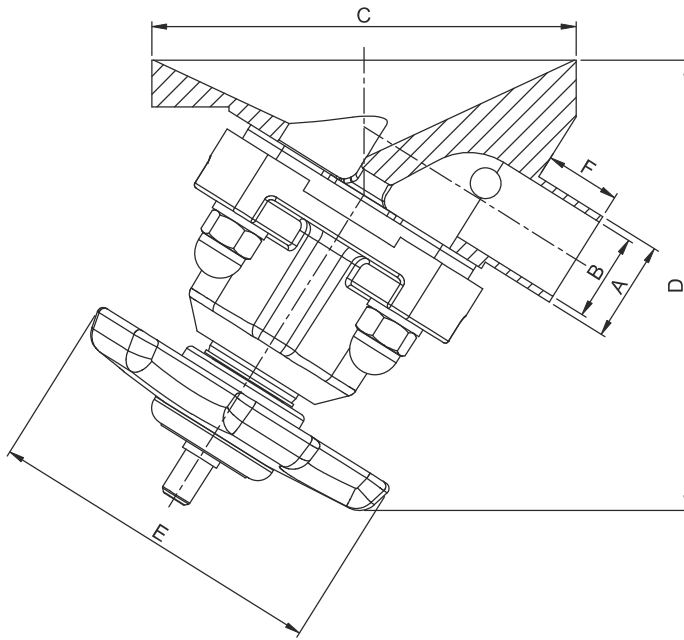


**Fig. 605**

Dimensions for end connections according to ASME BPE connection type

Handle - PA and Bonnet - SS (Refer Figure 605)							
LDG	DN	A	B	C	D	E	F
15	15	12.7	9.4	65.0	97.0	79.7	19.0
	20	19.05	15.75	65.0	97.0	79.7	19.0
25	25	25.4	22.1	107.0	126.7	94.0	19.0
40	40	38.1	34.8	140.0	150.9	118.2	19.0
	50	50.8	47.5	140.0	150.9	118.2	19.0
50	65	63.5	60.2	174.5	189.7	150.6	19.0
	80	76.2	72.9	188.6	187.6	150.6	19.0

Tank Bottom Diaphragm Valve with SIP port, Forged Stainless Steel Body,  
Manually Operated with Butt-weld End

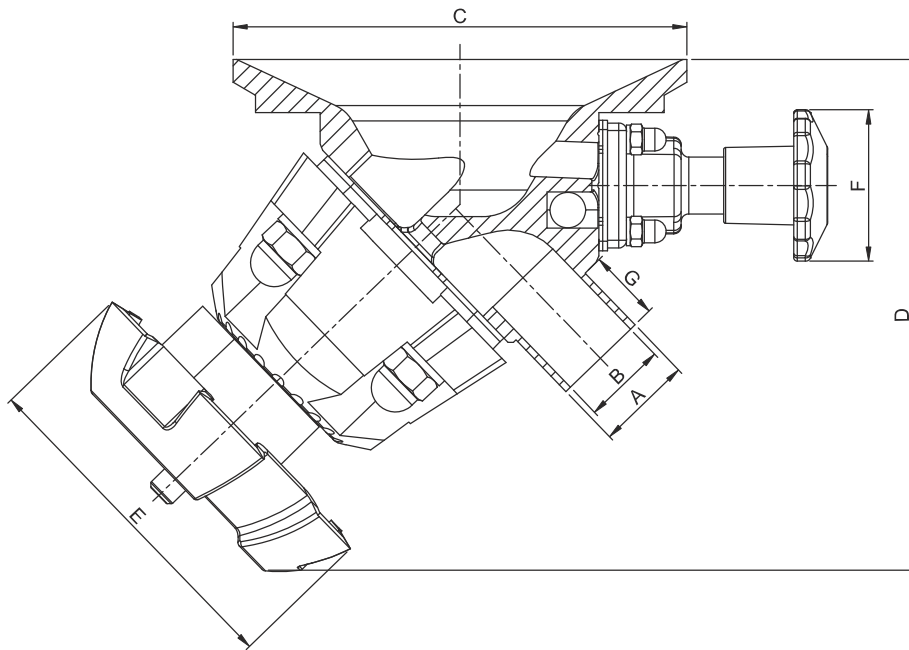


**Fig. 606**

Dimensions for end connections according to ASME BPE connection type

Handle and Bonnet - Stainless Steel (Refer Figure 606)							
LDG	DN	A	B	C	D	E	F
15	15	12.7	9.4	65.0	84.8	80.40	19.0
	20	19.05	15.75	65.0	84.8	80.40	19.0
25	25	25.4	22.1	107.0	113.5	89.60	19.0
40	40	38.1	34.8	140.0	150.7	115.8	19.0
	50	50.8	47.5	140.0	150.7	115.8	19.0
50	65	63.5	60.2	174.5	176.1	152.5	19.0
	80	76.2	72.9	188.6	174.1	152.5	19.0
80	80	76.2	72.9	275.0	250.0	234.0	19.0
100	100	101.6	97.38	346.9	373.2	320.0	19.0

Tank Bottom Diaphragm Valve with integrated sampling, Forged Stainless Steel Body, Manually Operated with Butt-weld End



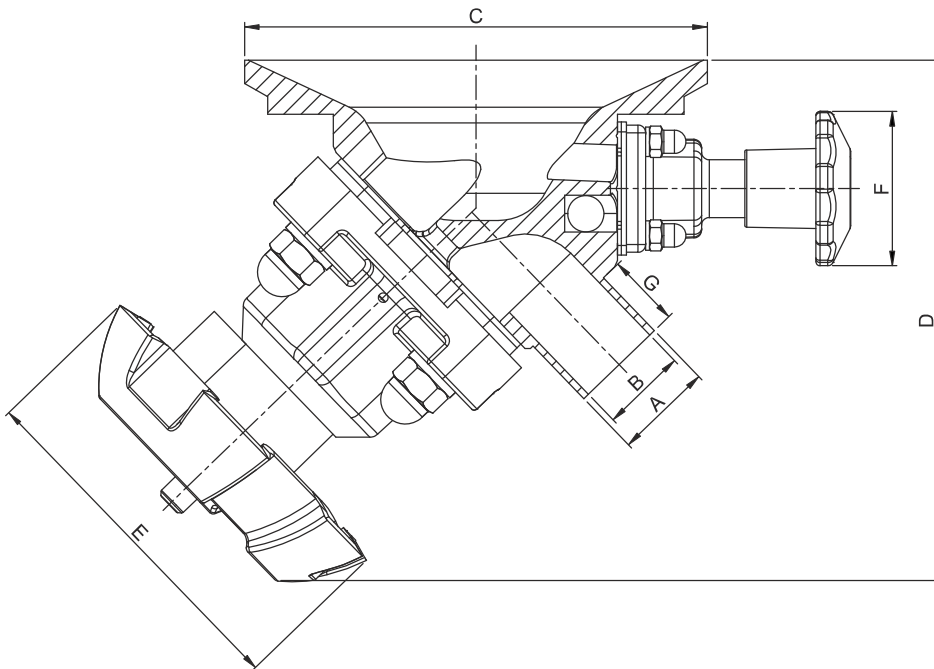
**Fig. 607**

Dimensions for end connections according to ASME BPE connection type

Handle and Bonnet - Polyamide (Refer Figure 607)							
LDG	DN	A	B	C	D	E	F
25	25	25.4	22.1	120.0	135.2	94.0	19.0
	40	38.1	34.8	160.0	155.1	118.2	19.0
40	50	50.8	47.5	160.0	155.1	118.2	19.0
50	65	63.5	60.2	195.0	204.3	150.6	19.0
	80	76.2	72.9	195.0	204.3	150.6	19.0



Tank Bottom Diaphragm Valve with integrated sampling, Forged Stainless Steel Body,  
Manually Operated with Butt-weld End



**Fig. 608**

Dimensions for end connections according to ASME BPE connection type

Handle - PA and Bonnet - SS (Refer Figure 608)							
LDG	DN	A	B	C	D	E	F
25	25	25.4	22.1	120.0	135.2	94.0	19.0
	40	38.1	34.8	160.0	155.1	118.2	19.0
40	50	50.8	47.5	160.0	155.1	118.2	19.0
50	65	63.5	60.2	195.0	204.3	150.6	19.0
	80	76.2	72.9	195.0	204.3	150.6	19.0

Tank Bottom Diaphragm Valve with integrated sampling, Forged Stainless Steel Body, Manually Operated with Butt-weld End

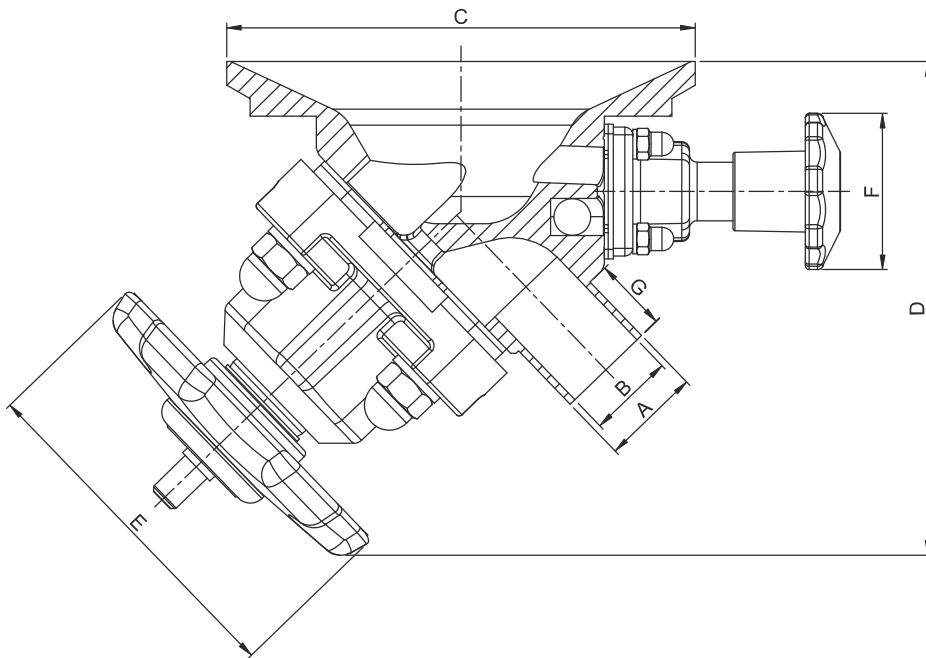
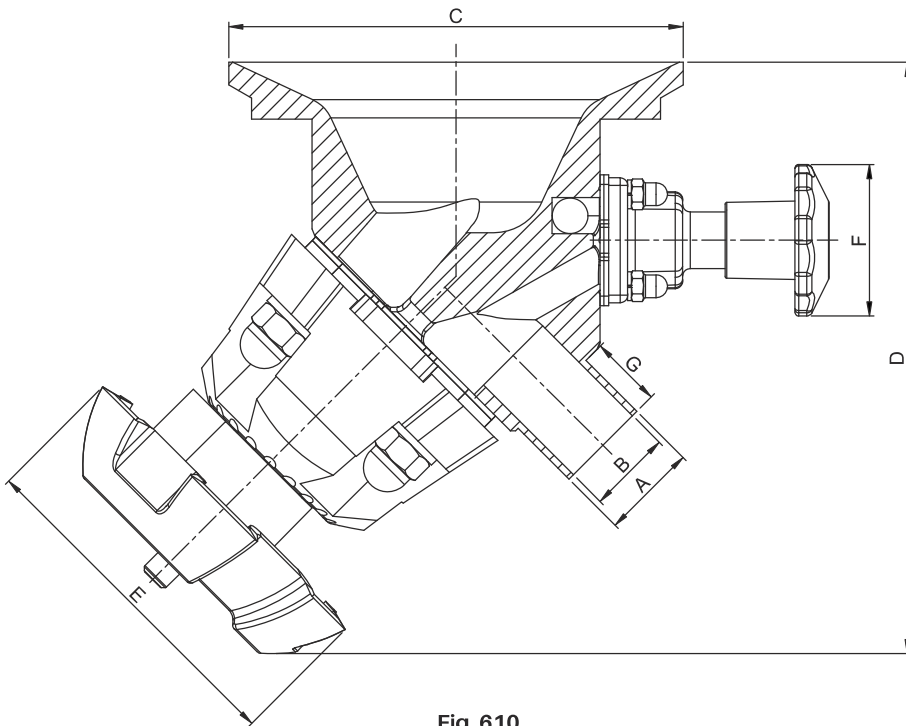


Fig. 609

Dimensions for end connections according to ASME BPE connection type

Handle and Bonnet - Stainless Steel (Refer Figure 609)							
LDG	DN	A	B	C	D	E	F
25	25	25.4	22.1	120.0	126.4	89.60	19.0
	40	38.1	34.8	160.0	155.8	115.8	19.0
40	50	50.8	47.5	160.0	155.8	115.8	19.0
50	65	63.5	60.2	195.0	196.4	152.5	19.0
	80	76.2	72.9	195.0	196.4	152.5	19.0
80	80	76.2	72.9	275.0	248.0	234.0	19.0
100	100	101.6	97.38	346.9	373.2	320.0	19.0

Tank Bottom Diaphragm Valve with integrated sip, Forged Stainless Steel Body,  
Manually Operated with Butt-weld End

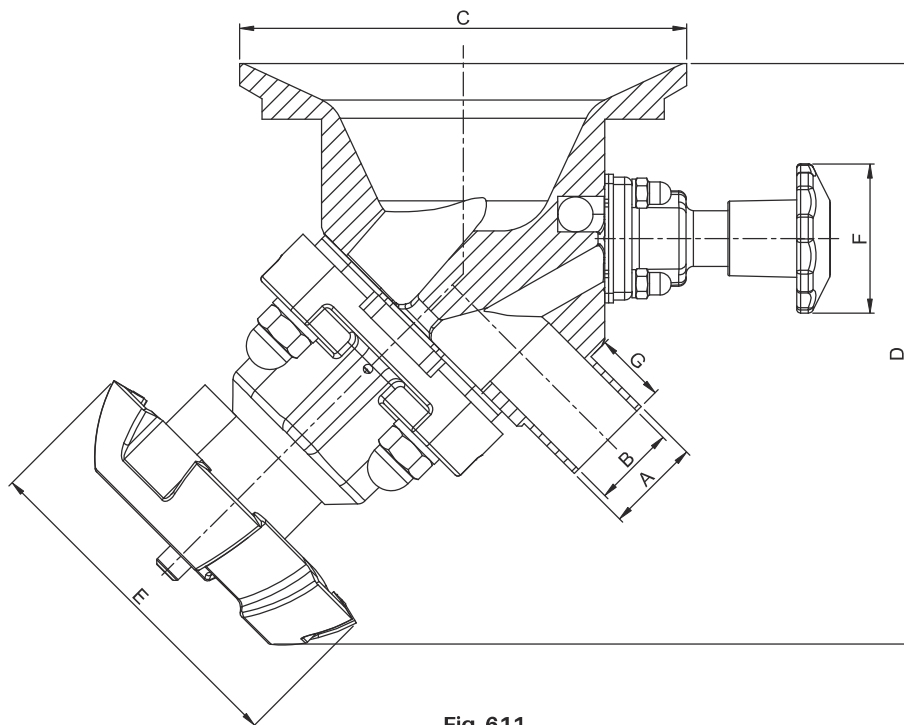


**Fig. 610**

Dimensions for end connections according to ASME BPE connection type

Handle and Bonnet - Polyamide (Refer Figure 610)							
LDG	DN	A	B	C	D	E	F
25	25	25.4	22.1	120.0	156.0	94.0	19.0
	40	38.1	34.8	160.0	175.0	118.2	19.0
40	50	50.8	47.5	160.0	175.0	118.2	19.0
	65	63.5	60.2	195.0	204.0	150.6	19.0
50	80	76.2	72.9	195.0	204.0	150.6	19.0

Tank Bottom Diaphragm Valve with integrated sip, Forged Stainless Steel Body,  
Manually Operated with Butt-weld End

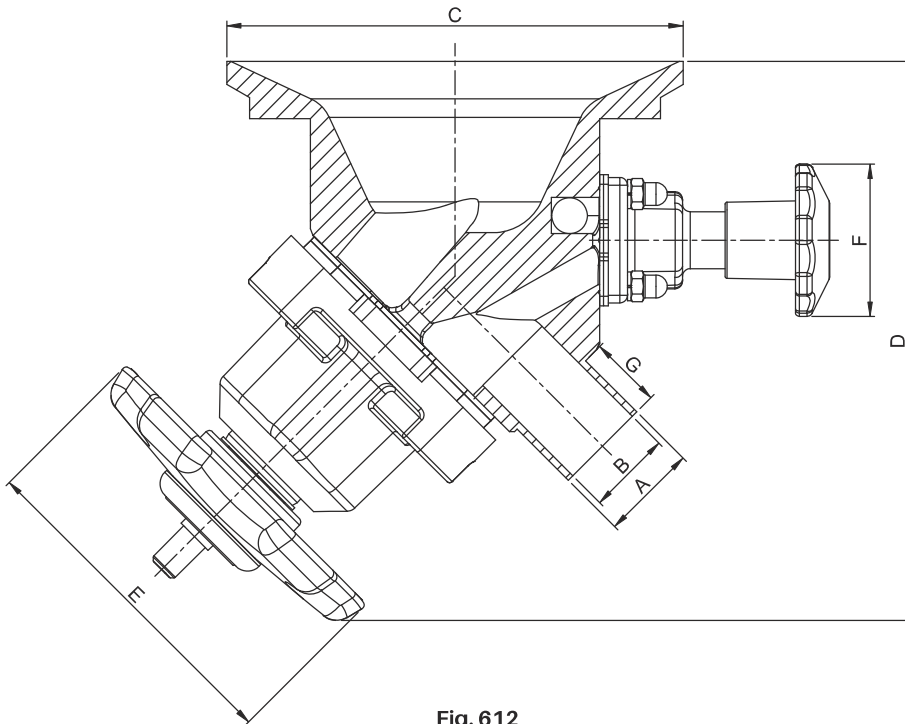


**Fig. 611**

Dimensions for end connections according to ASME BPE connection type

Handle - PA and Bonnet - SS (Refer Figure 611)							
LDG	DN	A	B	C	D	E	F
25	25	25.4	22.1	120.0	156.0	94.0	19.0
	40	38.1	34.8	160.0	175.0	118.2	19.0
40	50	50.8	47.5	160.0	175.0	118.2	19.0
50	65	63.5	60.2	195.0	204.0	150.6	19.0
	80	76.2	72.9	195.0	204.0	150.6	19.0

Tank Bottom Diaphragm Valve with integrated sip, Forged Stainless Steel Body,  
Manually Operated with Butt-weld End



**Fig. 612**

Dimensions for end connections according to ASME BPE connection type

Handle and Bonnet - Stainless Steel (Refer Figure 612)							
LDG	DN	A	B	C	D	E	F
25	25	25.4	22.1	120.0	147.0	89.60	19.0
	40	38.1	34.8	160.0	173.8	115.8	19.0
40	50	50.8	47.5	160.0	173.8	115.8	19.0
50	65	63.5	60.2	195.0	196.4	152.5	19.0
	80	76.2	72.9	195.0	196.4	152.5	19.0
80	80	76.2	72.9	275.0	248.0	234.0	19.0
100	100	101.6	97.38	346.9	373.2	320.0	19.0



### Order Sample:

LE	60	A	25	E	P	P	E	TP	T	9
1	2	3	4	5	6	7	8	9	10	11

### Order Codes:

<b>1</b>	<b>Make</b>	<b>Code</b>
	Leistung	LE
<b>2</b>	<b>Series</b>	<b>Code</b>
	Manually operated Tank Bottom valve	60
<b>3</b>	<b>Connection std</b>	<b>Code</b>
	ASME BPE	A
	BS 4825	B
	EN ISO 1127/ ISO 4200	E
<b>4</b>	<b>Main Connection Size</b>	<b>Code</b>
	1/2"	15
	3/4"	20
	3/4" (Ø35)	20A
	3/4" (Ø50)	20B
	1"	25
	1 1/2"	40
	2" Eco	50E
	2"	50
	2 1/2"	65
	3" Eco	80E
	3"	80
	4"	100

<b>5</b>	<b>MOC of Diaphragm</b>	<b>Code</b>
	EPDM	E
	PTFE	P
<b>6</b>	<b>MOC of Handle</b>	<b>Code</b>
	ASTM A 351 GR CF8	C
	Polyamide	P
<b>7</b>	<b>MOC of Bonnet</b>	<b>Code</b>
	ASTM A351 GR CF8	C
	Polyamide	P
<b>8</b>	<b>Surface Finish</b>	<b>Code</b>
	Mechanical	M
	Electropolish	E
<b>9</b>	<b>Options available</b>	<b>Code</b>
	Without Sterilization	WT
	Sterilization in Place	TP
	Integrated Sampling	NA
	Integrated Sterilization in place	NT
<b>10</b>	<b>Type of End Connection</b>	<b>Code</b>
	Buttweld	B
	V - Band (Hygienic clamp)	T
<b>11</b>	<b>Certificate</b>	<b>Code</b>
	ISO 9001	9
	PED 2014/68/EU	P