

SteriPure Tank bottom valve

LEISTUNG

Series 65 - Pneumatically operated Tank Bottom valve

Tank bottom valves are mainly used as outlet valves and are welded at the bottom of the tank to enable flushing, cleaning and sterilization. This makes them ideal for mixing tanks with no deadleg.

- Compact design for space restricted applications
- Simplified welding with provision of welding neck
- Optimized flow geometry
- Valve body materials is 316L or 1.4435
- CIP/SIP capable and crevice free
- Minimal deadleg and self-draining capabilities
- Various internal surface finish available
- Pipe connections as butt weld and clamp connections are available



Tank Bottom Diaphragm Valve, Forged Stainless Steel Body,
Actuated With Butt-Weld End

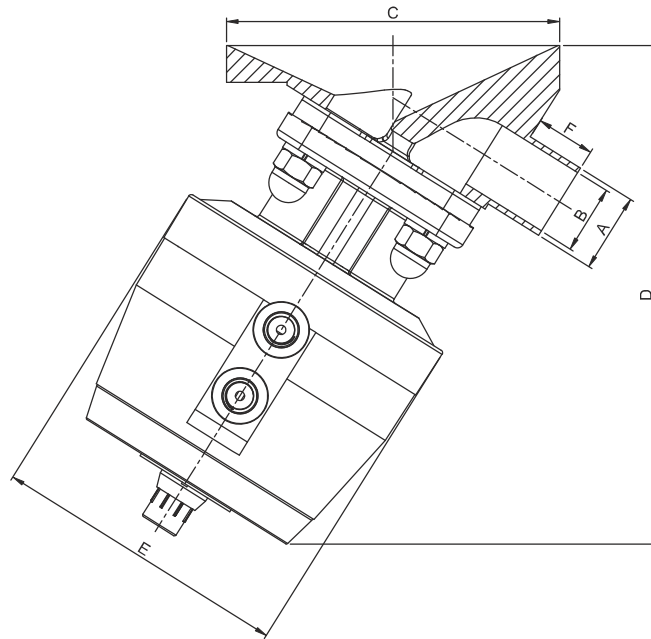


Fig. 651

Dimensions for end connections according to ASME BPE connection type

Cylinder - PA and Base - SS (Refer Figure 651)							
LDG	DN	A	B	C	D	E	F
15	15	12.7	9.4	65.0	113.0	68.0	19.0
	20	19.05	15.75	65.0	113.0	68.0	19.0
25	25	25.4	22.1	107.0	160.1	96.0	19.0
40	40	38.1	34.8	140.0	228.8	151.5	19.0
	50	50.8	47.5	140.0	228.8	151.5	19.0
50	65	63.5	60.2	174.5	274.2	178.3	19.0
	80	76.2	72.9	188.6	272.2	178.3	19.0
80	80	76.2	72.9	275.0	356.5	208.5	19.0

Tank Bottom Diaphragm Valve, Forged Stainless Steel Body,
Actuated With Butt-Weld End

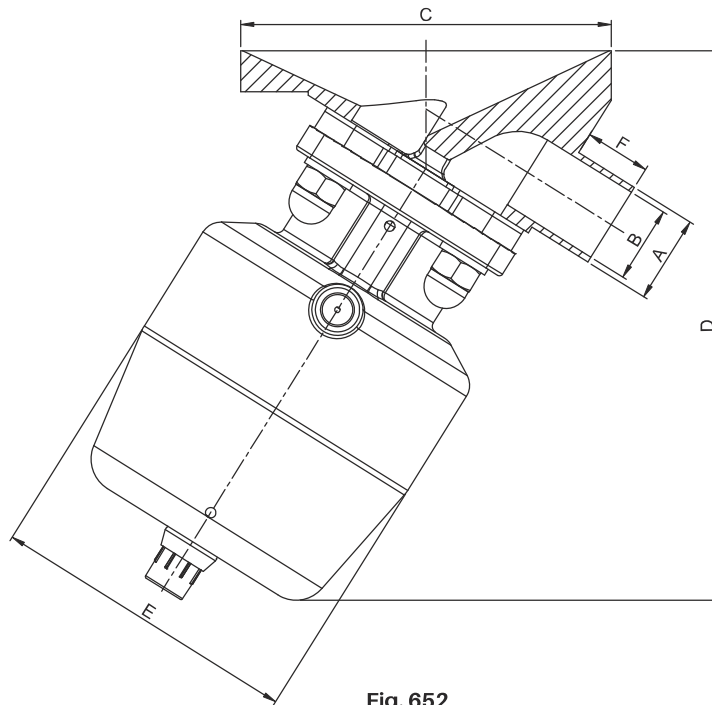


Fig. 652

Dimensions for end connections according to ASME BPE connection type

Cylinder and Base - Stainless Steel (Refer Figure 652)							
LDG	DN	A	B	C	D	E	F
15	15	12.7	9.4	65.0	114.3	66.0	19.0
	20	19.05	15.75	65.0	114.3	66.0	19.0
25	25	25.4	22.1	107.0	158.7	89.7	19.0
40	40	38.1	34.8	140.0	210.6	134.6	19.0
	50	50.8	47.5	140.0	210.6	134.6	19.0
50	65	63.5	60.2	174.5	255.1	161.0	19.0
	80	76.2	72.9	188.6	253.2	161.0	19.0
80	80	76.2	72.9	275.0	324.8	191.0	19.0
100	100	101.6	97.38	346.9	422.6	229.0	19.0

Tank Bottom Diaphragm Valve with SIP port, Forged Stainless Steel Body, Actuated With Butt-Weld End

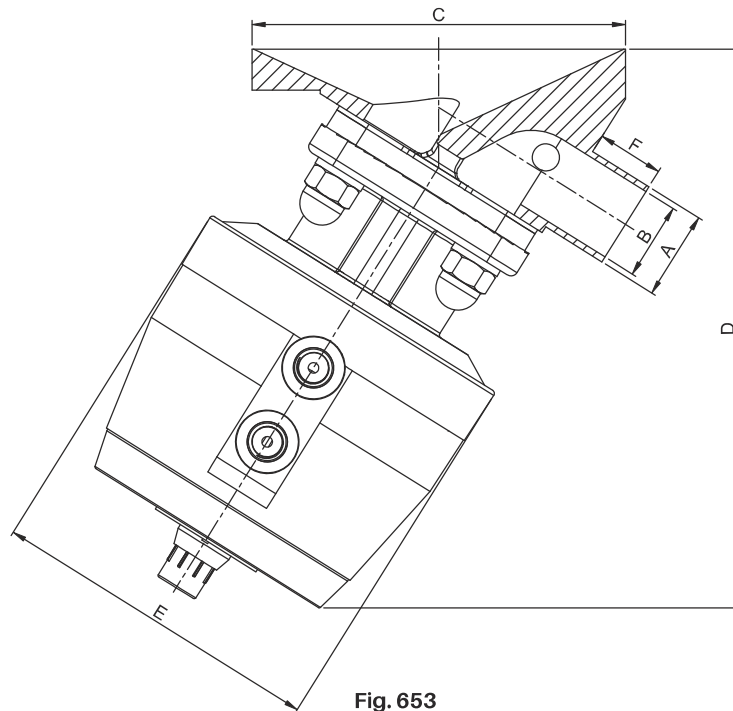


Fig. 653

Dimensions for end connections according to ASME BPE connection type

Cylinder - PA and Base - SS (Refer Figure 651)							
LDG	DN	A	B	C	D	E	F
15	15	12.7	9.4	65.0	113.0	68.0	19.0
	20	19.05	15.75	65.0	113.0	68.0	19.0
25	25	25.4	22.1	107.0	160.1	96.0	19.0
40	40	38.1	34.8	140.0	228.8	151.5	19.0
	50	50.8	47.5	140.0	228.8	151.5	19.0
50	65	63.5	60.2	174.5	274.2	178.3	19.0
	80	76.2	72.9	188.6	272.2	178.3	19.0
80	80	76.2	72.9	275.0	356.5	208.5	19.0

Tank Bottom Diaphragm Valve with SIP port, Forged Stainless Steel Body, Actuated With Butt-Weld End

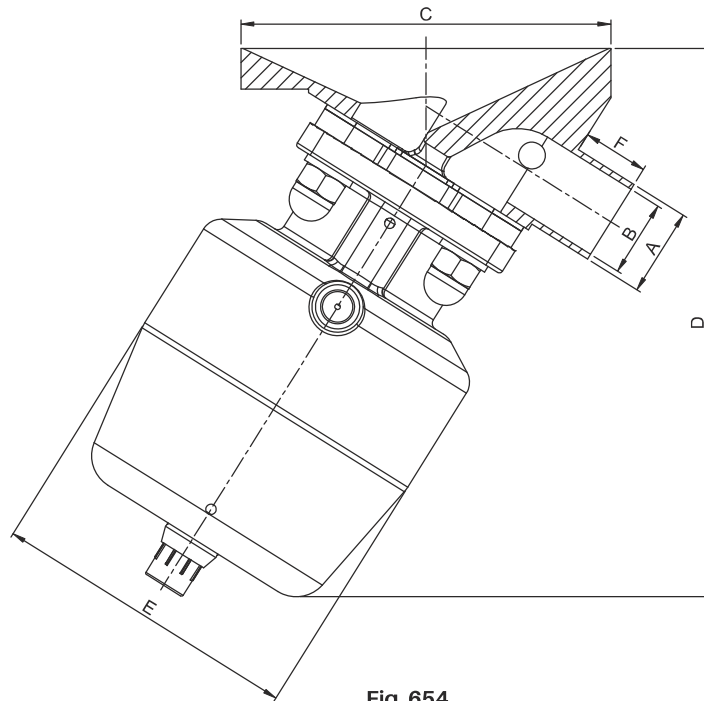


Fig. 654

Dimensions for end connections according to ASME BPE connection type

Cylinder and Base - Stainless Steel (Refer Figure 654)							
LDG	DN	A	B	C	D	E	F
15	15	12.7	9.4	65.0	114.3	66.0	19.0
	20	19.05	15.75	65.0	114.3	66.0	19.0
25	25	25.4	22.1	107.0	158.7	89.7	19.0
40	40	38.1	34.8	140.0	210.6	134.6	19.0
	50	50.8	47.5	140.0	210.6	134.6	19.0
50	65	63.5	60.2	174.5	255.1	161.0	19.0
	80	76.2	72.9	188.6	253.2	161.0	19.0
80	80	76.2	72.9	275.0	324.8	191.0	19.0
100	100	101.6	97.38	346.9	422.6	229.0	19.0

Tank Bottom Diaphragm Valve with integrated sampling, Forged Stainless Steel Body, Actuated With Butt-Weld End

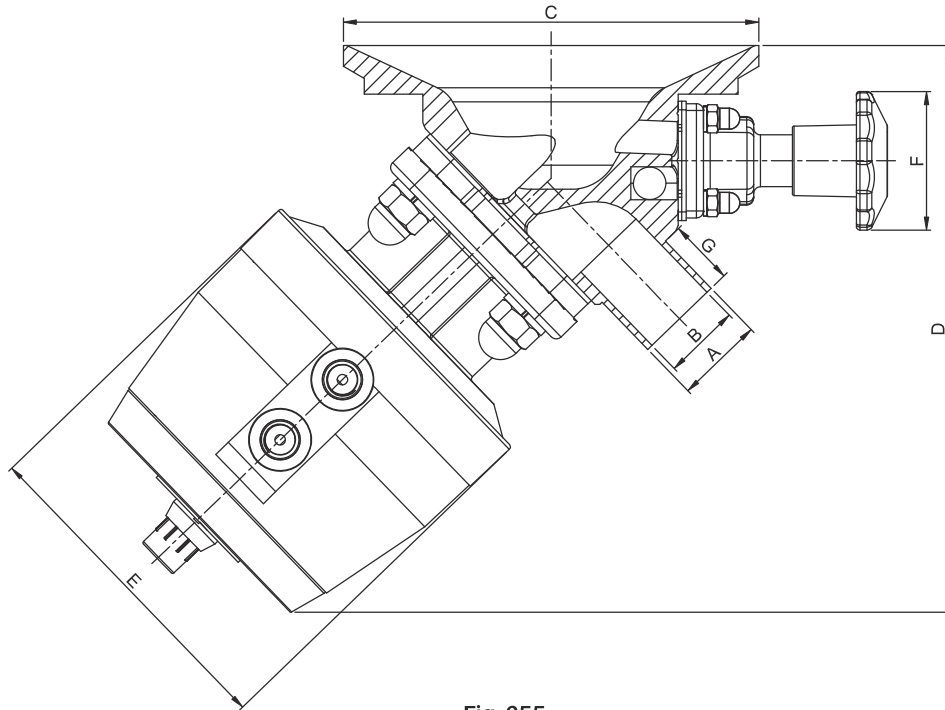


Fig. 655

Dimensions for end connections according to ASME BPE connection type

Cylinder - PA and Base - SS (Refer Figure 655)							
LDG	DN	A	B	C	D	E	F
25	25	25.4	22.1	120.0	163.6	96.0	19.0
	40	38.1	34.8	160.0	224.7	151.5	19.0
40	50	50.8	47.5	160.0	226.8	151.5	19.0
50	65	63.5	60.2	195.0	281.4	178.3	19.0
	80	76.2	72.9	195.0	281.4	178.3	19.0
80	80	76.2	72.9	188.6	354.5	208.5	19.0

Tank Bottom Diaphragm Valve with integrated sampling, Forged Stainless Steel Body, Actuated With Butt-Weld End

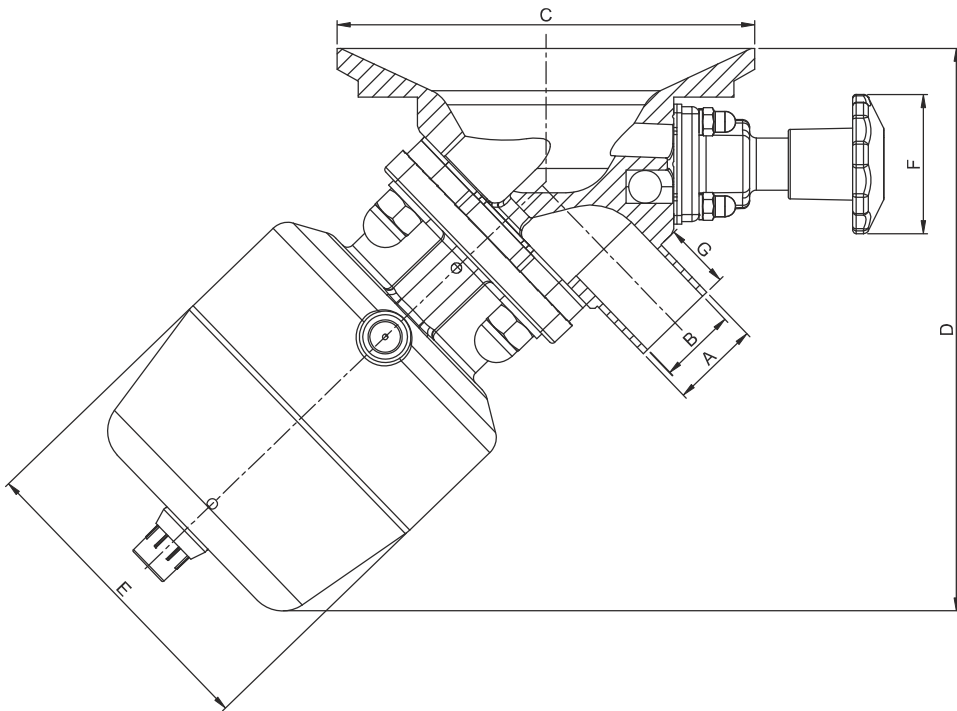


Fig. 656

Dimensions for end connections according to ASME BPE connection type

Cylinder and Base - Stainless Steel (Refer Figure 656)							
LDG	DN	A	B	C	D	E	F
25	25	25.4	22.1	120.0	161.7	89.7	19.0
40	40	38.1	34.8	160.0	208.7	134.6	19.0
	50	50.8	47.5	160.0	208.7	134.6	19.0
50	65	63.5	60.2	195.0	263.6	161.0	19.0
	80	76.2	72.9	195.0	263.6	161.0	19.0
80	80	76.2	72.9	275.0	322.7	191.0	19.0
100	100	101.6	97.38	346.9	422.6	229.0	19.0

Tank Bottom Diaphragm Valve with integrated sip, Forged Stainless Steel Body, Actuated With Butt-Weld End

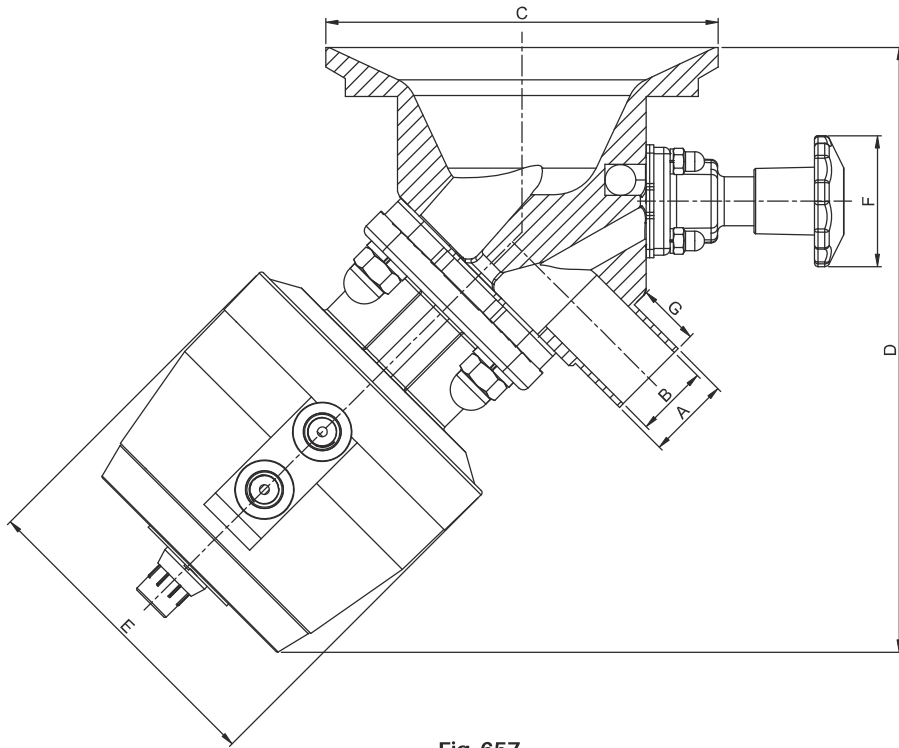


Fig. 657

Dimensions for end connections according to ASME BPE connection type

Cylinder - PA and Base - SS (Refer Figure 657)							
LDG	DN	A	B	C	D	E	F
25	25	25.4	22.1	120.0	184.9	96.0	19.0
	40	38.1	34.8	160.0	244.7	151.5	19.0
40	50	50.8	47.5	160.0	244.7	151.5	19.0
50	65	63.5	60.2	195.0	281.4	178.3	19.0
	80	76.2	72.9	195.0	281.4	178.3	19.0
80	80	76.2	72.9	188.6	354.5	208.5	19.0

Tank Bottom Diaphragm Valve with integrated sip, Forged Stainless Steel Body, Actuated With Butt-Weld End

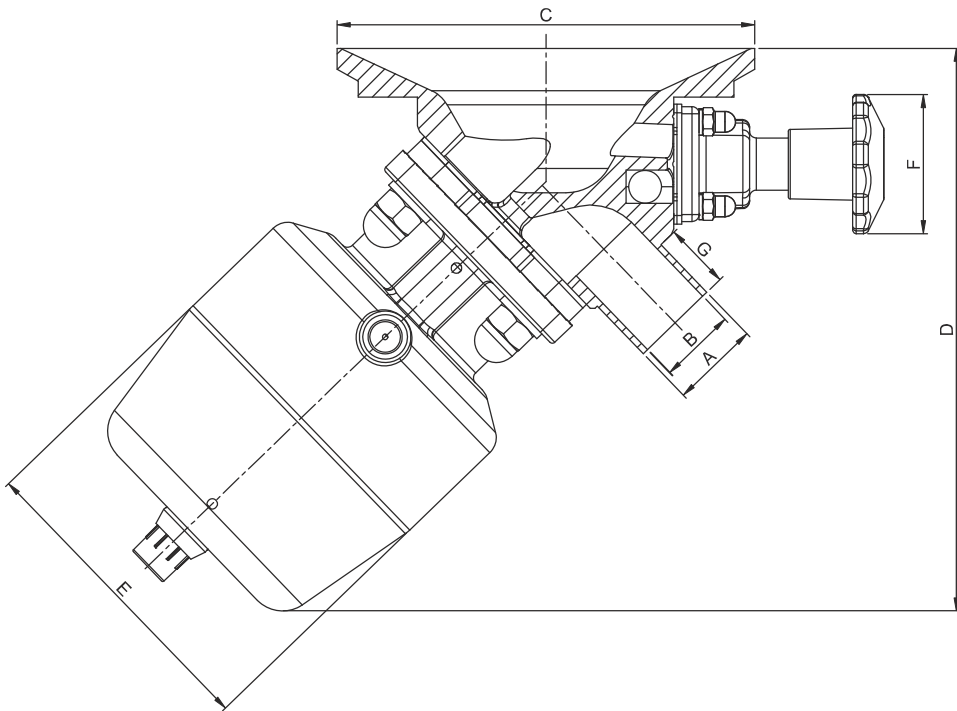


Fig. 658

Dimensions for end connections according to ASME BPE connection type

Cylinder and Base - Stainless Steel (Refer Figure 658)							
LDG	DN	A	B	C	D	E	F
25	25	25.4	22.1	120.0	183.0	89.7	19.0
40	40	38.1	34.8	160.0	228.7	134.6	19.0
	50	50.8	47.5	160.0	228.7	134.6	19.0
50	65	63.5	60.2	195.0	263.6	161.0	19.0
	80	76.2	72.9	195.0	263.6	161.0	19.0
80	80	76.2	72.9	275.0	322.7	191.0	19.0
100	100	101.6	97.38	346.9	422.6	229.0	19.0



Order Sample:

LE	65	A	20	E	C	P	P	E	NT	T	9
1	2	3	4	5	6	7	8	9	10	11	12

Order Codes:

1	Make	Code
	Leistung	LE
2	Series	Code
	Pneumatically operated Tank Bottom valve	65
3	Connection std	Code
	ASME BPE	A
	BS 4825	B
	EN ISO 1127/ ISO 4200	E
4	Main Connection Size	Code
	½"	15
	¾"	20
	¾" (Ø35)	20A
	¾" (Ø50)	20B
	1"	25
	1 ½"	40
	2" Eco	50E
	2"	50
	2 ½"	65
	3" Eco	80E
	3"	80
	4"	100

5	MOC of Diaphragm	Code
	EPDM	E
	PTFE	P
6	Actuator Type	Code
	Normally Open	O
	Normally close	C
	Double Acting	A
7	MOC of Cylinder	Code
	ASTM A 351 GR CF8	C
	Polyamide	P
8	MOC of Base	Code
	ASTM A351 GR CF8	C
	Polyamide	P
9	Surface Finish	Code
	Mechanical	M
	Electropolish	E
10	Options available	Code
	Without Sterilization	WT
	Sterilization in Place	TP
	Integrated Sampling	NA
	Integrated Sterilization in place	NT
11	Type of End Connection	Code
	Buttweld	B
	V - Band (Hygienic clamp)	T
12	Certificate	Code
	ISO 9001	9
	PED 2014/68/EU	P