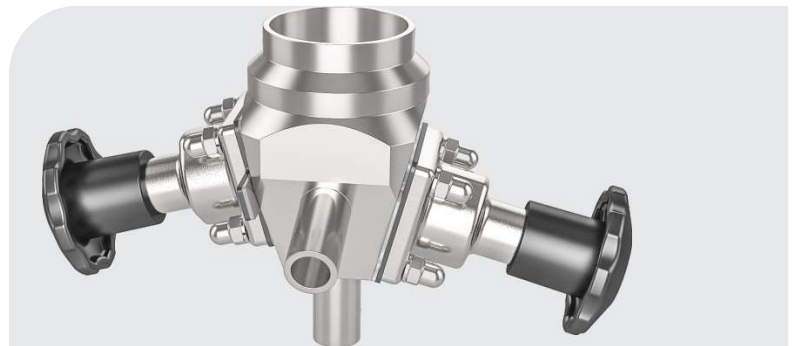


# SteriPure Flush mounted Sampling valve

LEISTUNG

## Series 70 - Manually operated Flush Mounted Sampling valve

- Made from SS 316L block
- No welded components
- Zero dead leg
- Integrated port can be used as filling inlet for those who prefer to cap off the outlet and keep the valve filled with sterilizing solution when not in use for sampling
- Two manual activation options are available - PA or stainless steel handle for on / off
- Fully autoclavable
- Available with both welding or sanitary clamp type tank connection options
- Both mechanical and electropolish surface options available with less than 0.40 Ra



FMSV Diaphragm Valve, Forged Stainless Steel Body, Manually Operated with Butt-weld End

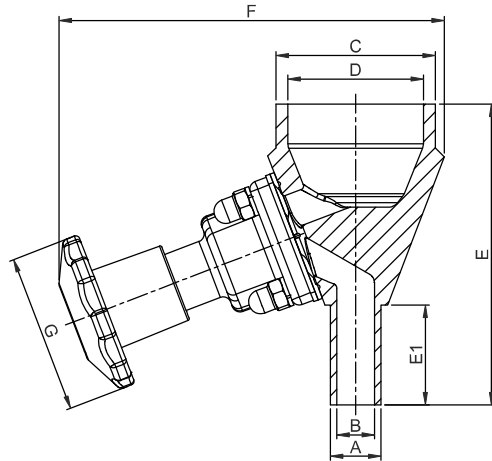


Fig. 701

Dimensions for end connections according to ASME BPE connection type

Handle - PA and Bonnet - SS (Refer Figure 701)									
LDG	DN	A	B	C	D	E	E1	F	G
15	15	12.7	9.4	38.1	34.8	75.5	25.0	96.7	40.0

FMSV Diaphragm Valve, Forged Stainless Steel Body, Manually Operated with Butt-weld End

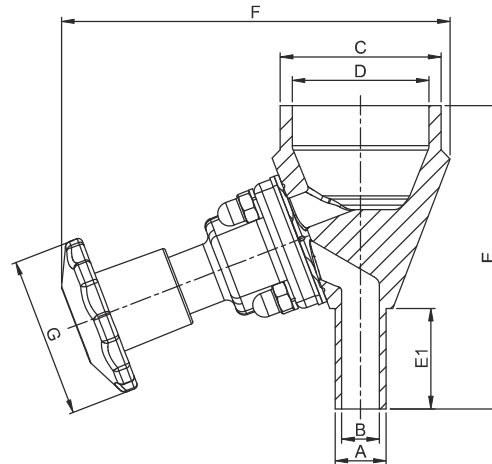
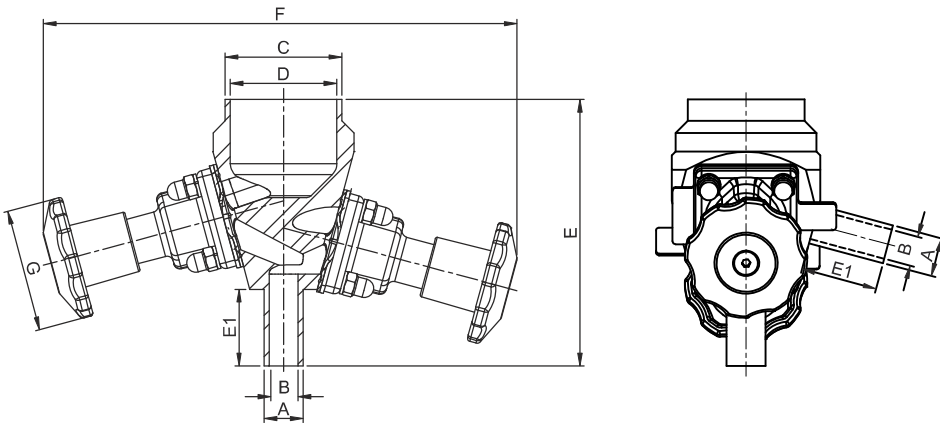


Fig. 702

Dimensions for end connections according to ASME BPE connection type

Handle and Bonnet - Stainless Steel (Refer Figure 702)									
LDG	DN	A	B	C	D	E	E1	F	G
15	15	12.7	9.4	38.1	34.8	75.5	25.0	96.7	40.0

FMSV SIP Diaphragm Valve, Forged Stainless Steel Body, Manually Operated with Butt-weld End

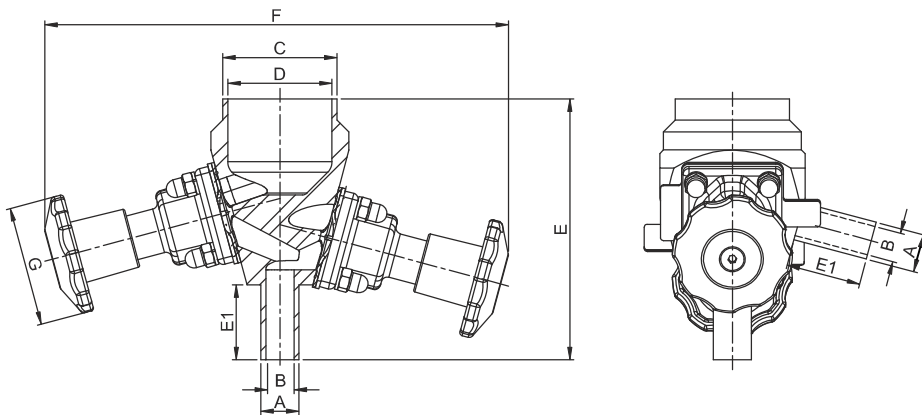


**Fig. 703**

Dimensions for end connections according to ASME BPE connection type

Handle - PA and Bonnet - SS (Refer Figure 703)									
LDG	DN	A	B	C	D	E	E1	F	G
15	15	12.7	9.4	38.1	34.8	87.0	25.0	154.7	40.0

FMSV SIP Diaphragm Valve, Forged Stainless Steel Body, Manually Operated with Butt-weld End



**Fig. 704**

Dimensions for end connections according to ASME BPE connection type

Handle and Bonnet - Stainless Steel (Refer Figure 704)									
LDG	DN	A	B	C	D	E	E1	F	G
15	15	12.7	9.4	38.1	34.8	87.0	25.0	154.7	40.0



### Order Sample:

LE	70	A	15	E	P	P	E	TP	T	9
1	2	3	4	5	6	7	8	9	10	11

### Order Codes:

1	<b>Make</b>	<b>Code</b>
	Leistung	LE
2	<b>Series</b>	<b>Code</b>
	Manually operated Flush Mounted sampling valve	70
3	<b>Connection std</b>	<b>Code</b>
	ASME BPE	A
	BS 4825	B
4	<b>Connection Size</b>	<b>Code</b>
	½"	15
5	<b>MOC of Diaphragm</b>	<b>Code</b>
	EPDM	E
	PTFE	P
6	<b>MOC of Handle</b>	<b>Code</b>
	ASTM A 351 GR CF8	C
	Polyamide	P
7	<b>MOC of Bonnet</b>	<b>Code</b>
	ASTM A351 GR CF8	C
	Polyamide	P

8	<b>Surface Finish</b>	<b>Code</b>
	Mechanical	M
	Electropolish	E
9	<b>Options available</b>	<b>Code</b>
	Without Sterilization	WT
	Sterilization in Place	TP
10	<b>Type of End Connection</b>	<b>Code</b>
	Buttweld	B
	V - Band (Hygienic clamp)	T
11	<b>Certificate</b>	<b>Code</b>
	ISO 9001	9
	PED 2014/68/EU	P