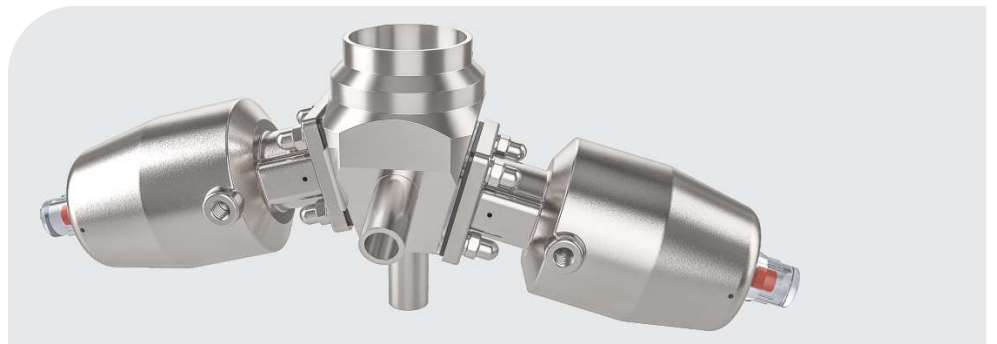


# SteriPure Flush mounted Sampling valve

LEISTUNG

## Series 75 - Pneumatically operated Flush Mounted sampling valve

- Made from SS 316L block
- No welded components
- Zero dead leg
- Integrated port can be used as filling inlet for those who prefer to cap off the outlet and keep the valve filled with sterilizing solution when not in use for sampling
- Fully autoclavable
- Available with both welding or sanitary clamp type tank connection options
- Both mechanical and electropolish surface options available with less than 0.40 Ra





FMSV Diaphragm Valve, Forged Stainless Steel Body, Actuated with Butt-weld End

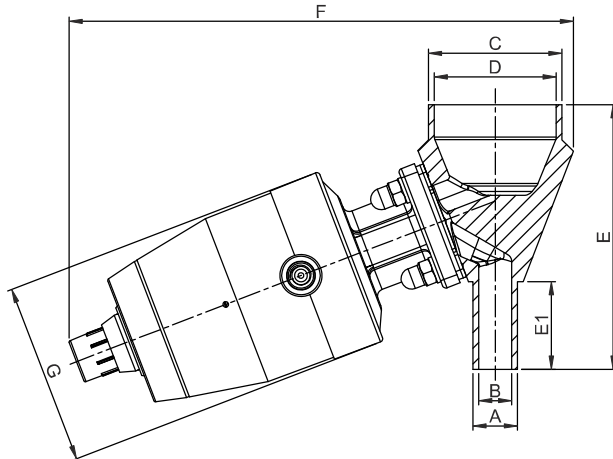


Fig. 751

Dimensions for end connections according to ASME BPE connection type

Cylinder - PA and Base - SS (Refer Figure 751)									
LDG	DN	A	B	C	D	E	E1	F	G
15	15	12.7	9.4	38.1	34.8	75.5	25.0	143.9	40.0

FMSV Diaphragm Valve, Forged Stainless Steel Body, Actuated with Butt-weld End

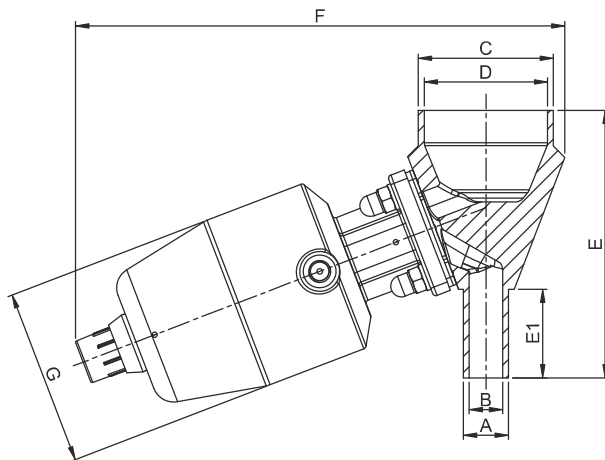
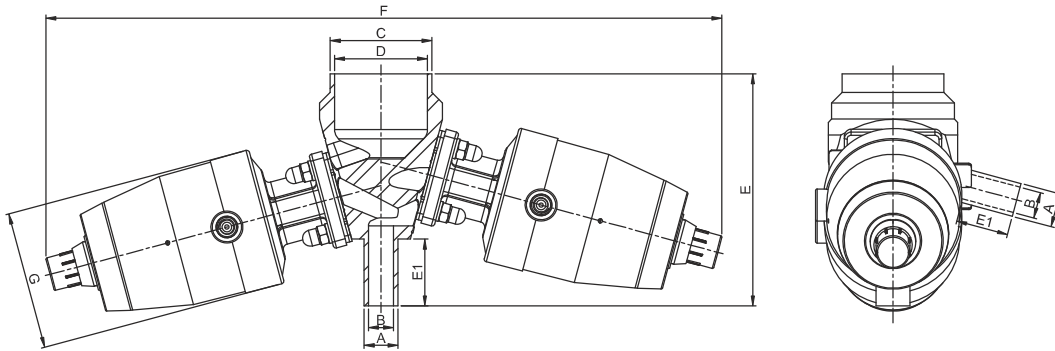


Fig. 752

Dimensions for end connections according to ASME BPE connection type

Cylinder and Base - Stainless Steel (Refer Figure 752)									
LDG	DN	A	B	C	D	E	E1	F	G
15	15	12.7	9.4	38.1	34.8	75.5	25.0	138	40.0

FMSV SIP Diaphragm Valve, Forged Stainless Steel Body, Actuated with Butt-weld End

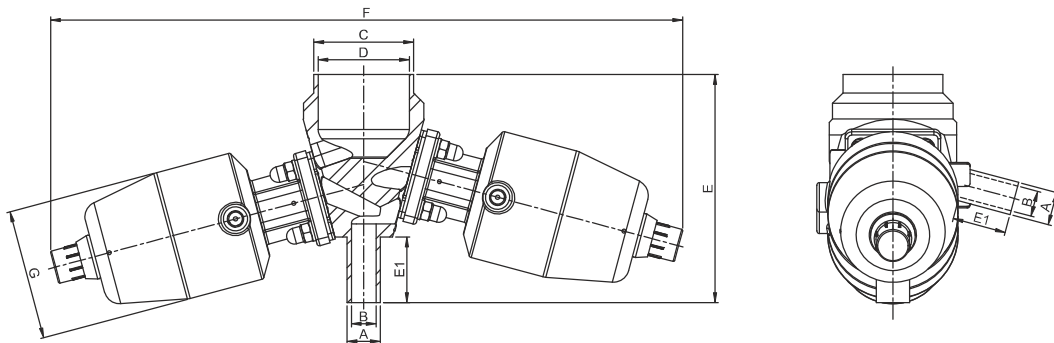


**Fig. 753**

Dimensions for end connections according to ASME BPE connection type

Cylinder - PA and Base - SS (Refer Figure 753)									
LDG	DN	A	B	C	D	E	E1	F	G
15	15	12.7	9.4	38.1	34.8	87.0	25	253.3	40.0

FMSV SIP Diaphragm Valve, Forged Stainless Steel Body, Actuated with Butt-weld End



**Fig. 754**

Dimensions for end connections according to ASME BPE connection type

Cylinder and Base - Stainless Steel (Refer Figure 754)									
LDG	DN	A	B	C	D	E	E1	F	G
15	15	12.7	9.4	38.1	34.8	87.0	25	241.1	40.0



### Order Sample:

<b>LE</b>	<b>75</b>	<b>A</b>	<b>15</b>	<b>E</b>	<b>C</b>	<b>P</b>	<b>P</b>	<b>E</b>	<b>WT</b>	<b>T</b>	<b>9</b>
<b>1</b>	<b>2</b>	<b>3</b>	<b>4</b>	<b>5</b>	<b>6</b>	<b>7</b>	<b>8</b>	<b>9</b>	<b>10</b>	<b>11</b>	<b>12</b>

### Order Codes:

<b>1</b>	<b>Make</b>	<b>Code</b>
	Leistung	LE
<b>2</b>	<b>Series</b>	<b>Code</b>
	Pneumatically operated Flush Mounted sampling valve	75
<b>3</b>	<b>Connection std</b>	<b>Code</b>
	ASME BPE	A
	BS 4825	B
<b>4</b>	<b>Connection Size</b>	<b>Code</b>
	½"	15
<b>5</b>	<b>MOC of Diaphragm</b>	<b>Code</b>
	EPDM	E
	PTFE	P
<b>6</b>	<b>Actuator Type</b>	<b>Code</b>
	Normally Open	O
	Normally close	C
	Double Acting	A
<b>7</b>	<b>MOC of Cylinde</b>	<b>Code</b>
	ASTM A351 GR CF8	C
	Polyamide	P

<b>8</b>	<b>MOC of Base</b>	<b>Code</b>
	ASTM A351 GR CF8	C
	Polyamide	P
<b>9</b>	<b>Surface Finish</b>	<b>Code</b>
	Mechanical	M
	Electropolish	E
<b>10</b>	<b>Options available</b>	<b>Code</b>
	Without Sterilization	WT
	Sterilization in Place	TP
<b>11</b>	<b>Type of End Connection</b>	<b>Code</b>
	Buttweld	B
	V - Band (Hygienic clamp)	T
<b>12</b>	<b>Certificate</b>	<b>Code</b>
	ISO 9001	9
	PED 2014/68/EU	P