

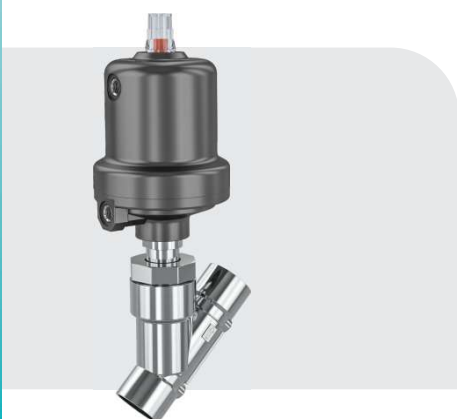
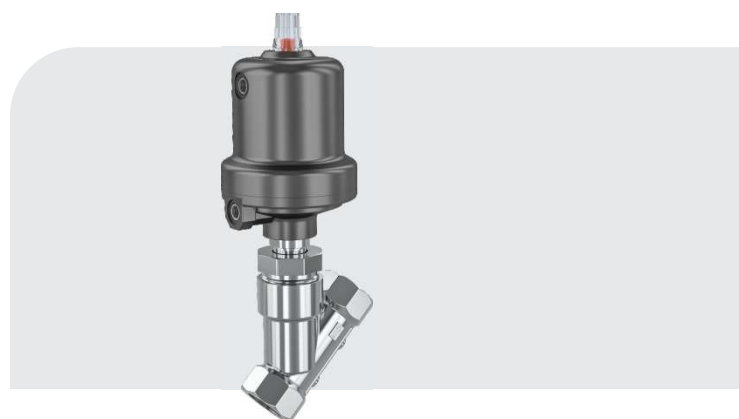
Angle Seat Valve



Series 85 - Pneumatically operated Angle Seat Valve

Angle Seat Valves have been engineered to meet the demands of process/utility applications across the spectrum of hygienic process industries. Leistung's pneumatically operated 2/2 way angle seat valve has a plastic pneumatic piston actuator and PTFE sealing providing reliable operation.

- Compact and robust design
- Sizes available from DN 15 to DN 65
- Self-adjusting packing gland provides high sealing integrity
- Extensive range of accessories available
- Mountable in any position
- Various types of body connections available - Flange, threaded and butt weld
- Normally close, Normally open and double acting modes of operation available



Angle Seat valve, Cast Stainless Steel Body, Actuated with Threaded End

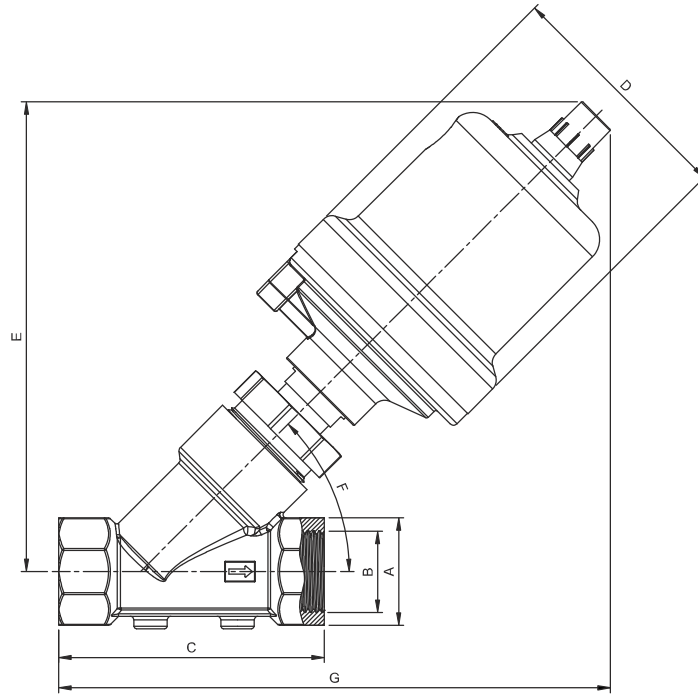


Fig. 851

Dimensions for end connections according to ASME BPE connection type

Top Bowl and Bottom Bowl - Polyamide (Refer Figure 851)								
SIZE	A	Socket ISO 228	Socket NPT ASME B 1.20.1	C	D	E	F	G
	(mm)	(mm)	(mm)	(mm)	(mm)	(mm)	(mm)	(mm)
DN 15	27.9	½" BSP	½" NPT	75.5	76.5	150.7	45	177.0
DN 20	36.5	¾" BSP	¾" NPT	98.7	76.5	157.0	45	188.0
DN 25	43.2	1" BSP	1" NPT	109.0	96.5	189.1	45	221.8
DN 40	56.0	1½" BSP	1½" NPT	151.0	96.5	202.2	45	247.3
DN 50	68.0	2" BSP	2" NPT	176.5	96.5	211.9	45	266.3

Angle Seat valve, Cast Stainless Steel Body, Actuated with Tc End

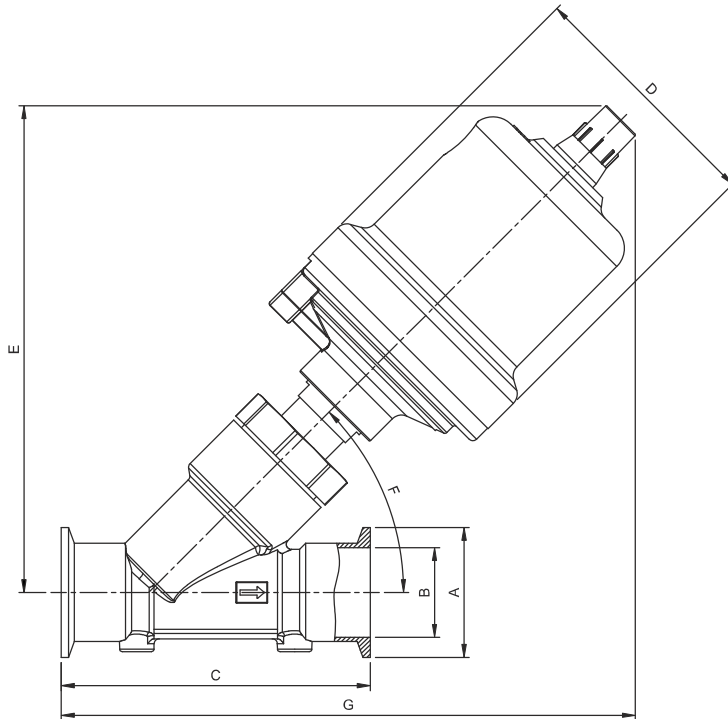


Fig. 852

Dimensions for end connections according to ASME BPE connection type

Top Bowl and Bottom Bowl - Polyamide (Refer Figure 852)							
ASME BPE							
SIZE	A	B	C	D	E	F	G
	(mm)	(mm)	(mm)	(mm)	(mm)	(mm)	(mm)
DN 15	25.0	9.4	103.7	76.5	151.4	45	184.7
DN 20	25.0	15.75	105.0	76.5	150.8	45	184.7
DN 25	50.4	22.1	121.8	96.5	157.3	45	197.0
DN 40	50.4	34.8	127.0	96.5	189.1	45	226.5
DN 50	63.9	47.5	169.5	96.5	202.2	45	253.2
DN 65	77.7	60.2	189.0	96.5	212.0	45	263.4



Angle Seat valve, Cast Stainless Steel Body, Actuated with Butt-weld End

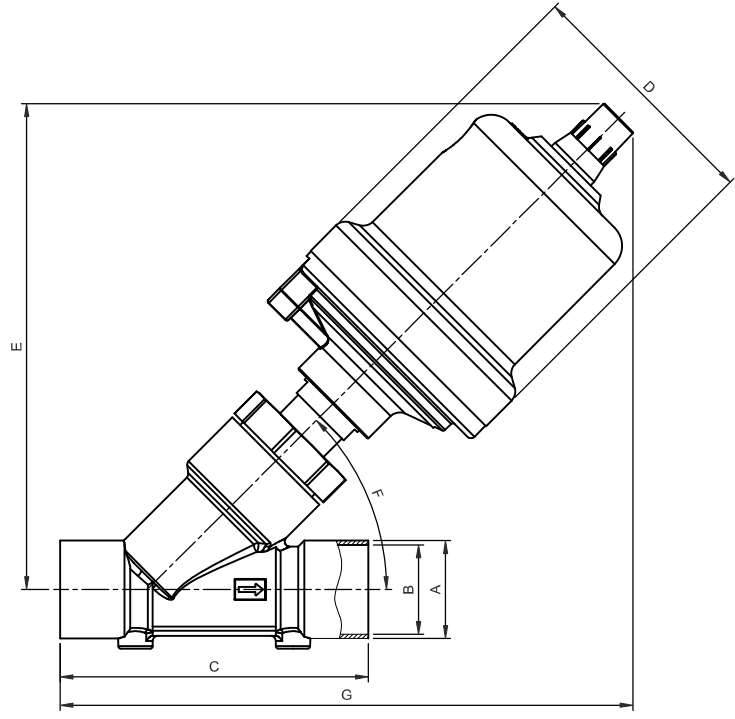


Fig. 853

Dimensions for end connections according to ASME BPE connection type

Top Bowl and Bottom Bowl - Polyamide (Refer Figure 853)							
ASME BPE							
SIZE	A	B	C	D	E	F	G
	(mm)	(mm)	(mm)	(mm)	(mm)	(mm)	(mm)
DN 15	12.7	9.4	103.7	76.5	151.4	45	184.7
DN 20	19.05	15.75	105.0	76.5	150.8	45	184.7
DN 25	25.4	22.1	121.8	96.5	157.3	45	197.0
DN 40	38.1	34.8	127.0	96.5	189.1	45	226.5
DN 50	50.8	47.5	169.5	96.5	202.2	45	253.2
DN 65	63.5	60.2	189.0	96.5	212.0	45	263.4

Angle Seat valve, Cast Stainless Steel Body, Actuated with Butt-weld End

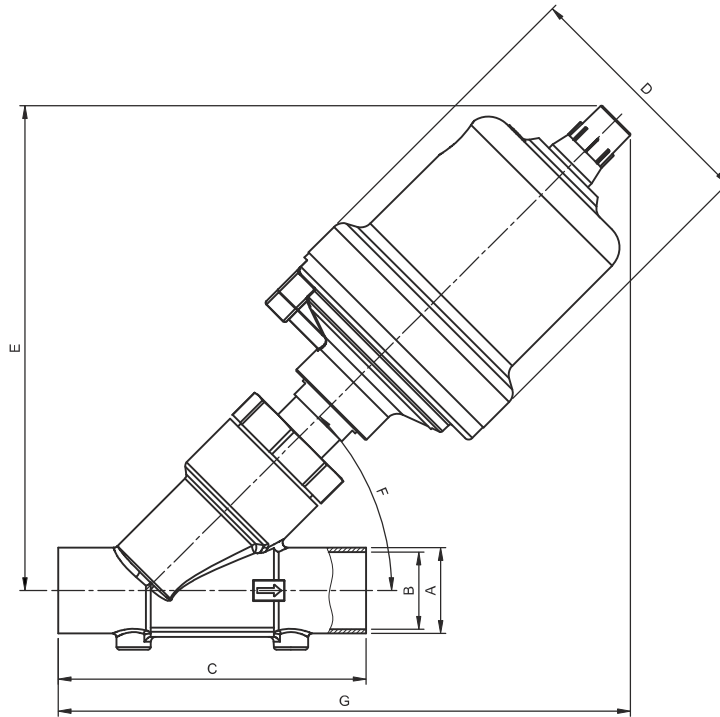


Fig. 854

Dimensions for end connections according to ASME BPE connection type

Top Bowl and Bottom Bowl - Polyamide (Refer Figure 854)							
EN ISO 1127							
SIZE	A	B	C	D	E	F	G
	(mm)	(mm)	(mm)	(mm)	(mm)	(mm)	(mm)
DN 20	26.7	22.48	121.8	96.5	157.3	45	197.0
DN 25	33.4	27.86	127.0	96.5	189.1	45	226.5
DN 40	48.3	42.76	169.5	96.5	202.2	45	253.2
DN 50	60.3	54.76	189.0	96.5	212.0	45	263.4



Order Sample:

LE	85	A	A	25	P	C	P	P	SO	E	T	9
1	2	3	4	5	6	7	8	9	10	11	12	13

Order Codes:

1	Make	Code
	Leistung	LE
2	Series	Code
	Angle Seat valve	85
3	Type of Angle Seat Valve	Code
	Actuated	A
4	Connection std	Code
	ASME BPE	A
	BS 4825	B
	EN ISO 1127/ ISO 4200	E
	B.S.P	T
	N.P.T	N
5	Connection Size	Code
	½"	15
	¾"	20
	1"	25
	1 ½"	40
	2"	50
6	MOC of Diaphragm	Code
	PTFE	P

7	Actuator Type	Code
	Normally Open	O
	Normally close	C
	Double Acting	A
8	MOC of Top Bowl	Code
	Polyamide	P
9	MOC of Bottom Bowl	Code
	Polyamid	P
10	PID control options	Code
	Signal operated controller	SO
	Smart PID controller	SM
	Smart Process PID controller	SP
	Not Applicable	NA
11	Surface Finish	Code
	Mechanical	M
	Electropolish	E
12	Type of End Connection	Code
	Buttweld	B
	V - Band (Hygenic clamp)	T
	Thread End	R
13	Certificate	Code
	ISO 9001	9
	PED 2014/68/EU	P