

SteriPure Multiport valve



Series M - Multiport valve

Multiport valves are most ideal solution to meet increasing demand of pharmaceutical and biotech applications. They are machined from a solid block and are available in 316L or 1.4435 options. These customized solutions are suitable for both simple and complex processes, and they also provide more reliable and efficient alternative to valve clusters.

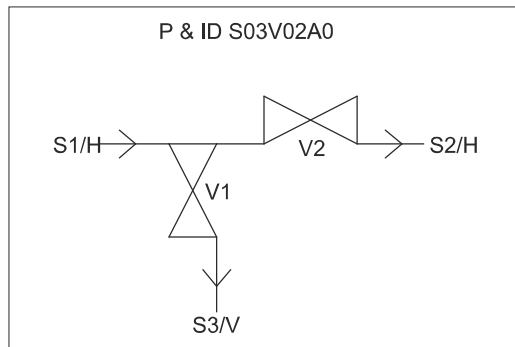
- Optimized drainability
- Reduced deadleg
- Improved system performance
- Fewer welds
- Compact design
- Reduced complex pipework
- Machined from block
- Reduced and simple validation
- Customized as per requirement
- Much more product reliability

Multiport valves are used in wide range of applications in the smallest of spaces due to their unique design:

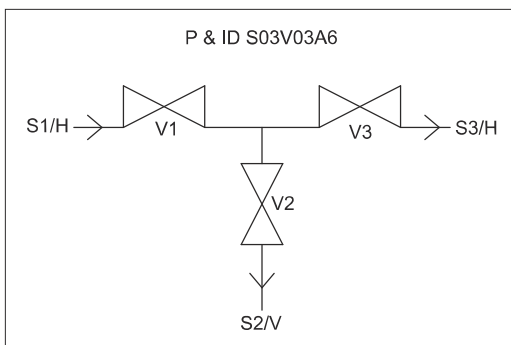
1. Product distribution
2. Sampling
3. Mixing
4. Feeding
5. System sterilization
6. By pass drain
7. Automatic switching

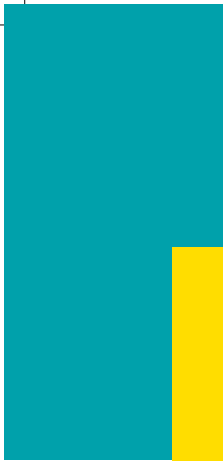
Number of factors need to be considered while designing and manufacturing of Multiport valves like application and process safety, function of block, number dimensions and functions of the pipe connections, number and size of the valve seats, mounting position of the block, space required, type of function of actuators and material type to be specified.

Some of the examples of multiport block:
S03V02A0

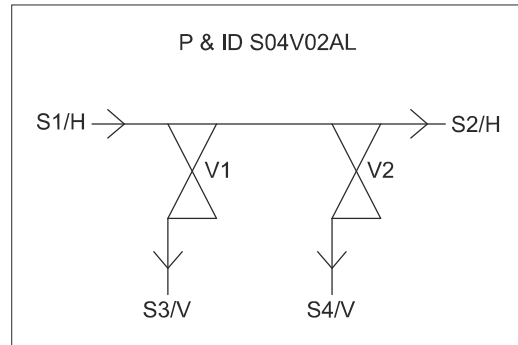


S03V03A6

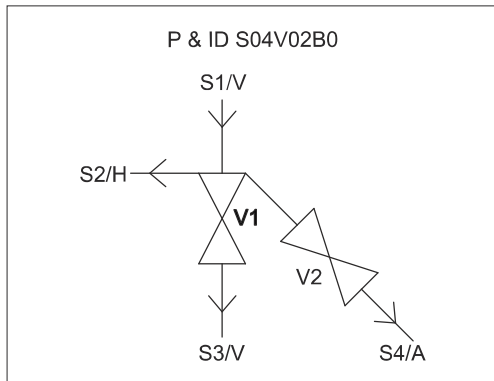




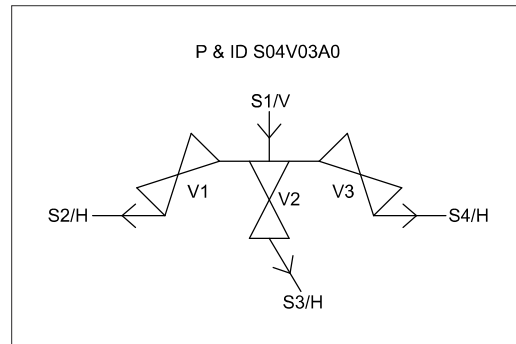
S03V02AL



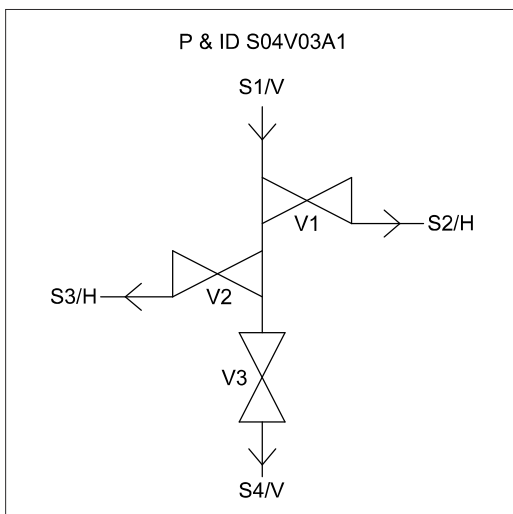
S04V02B0



S04V03A0

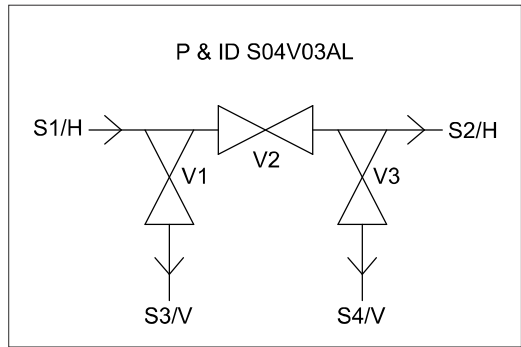


S04V03A1

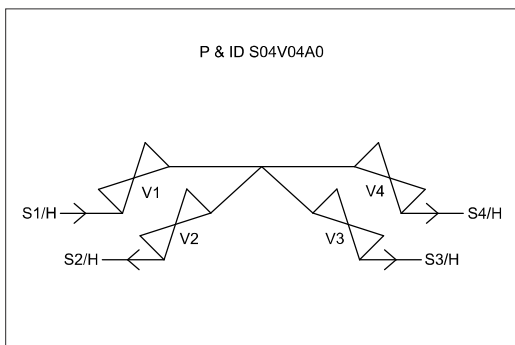
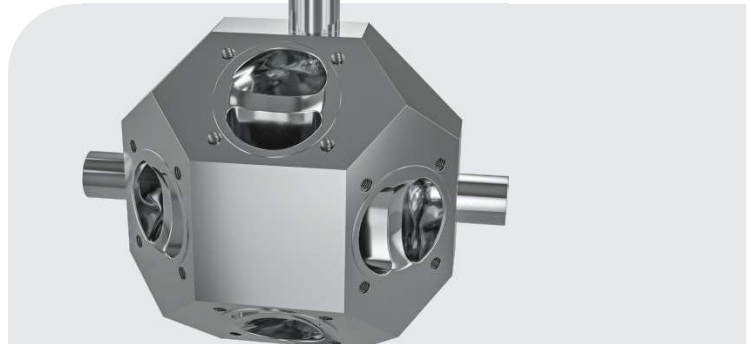




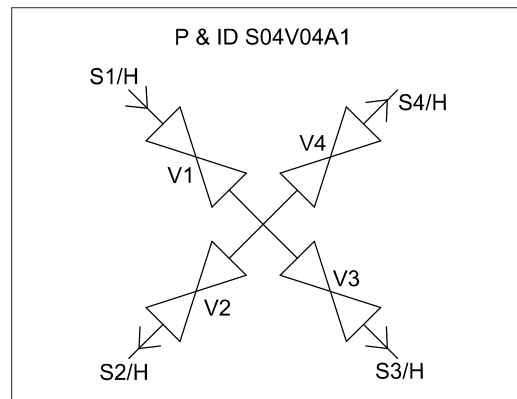
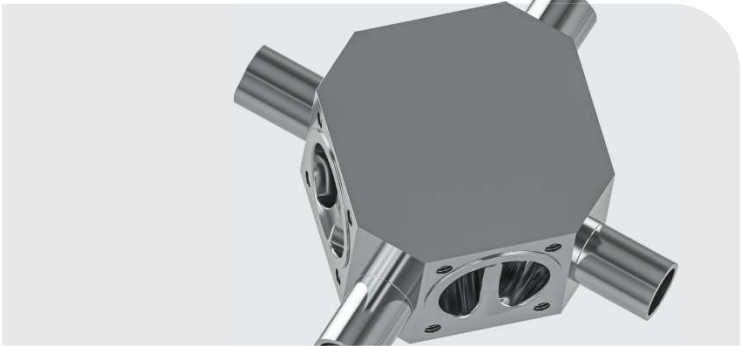
S04V03AL



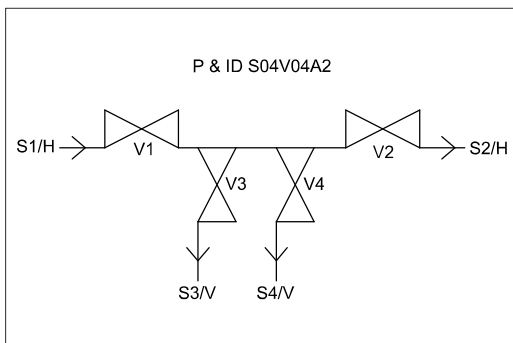
S04V04A0



S04V04A1

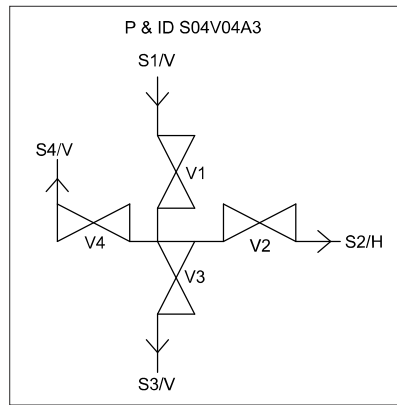


S04V04A2

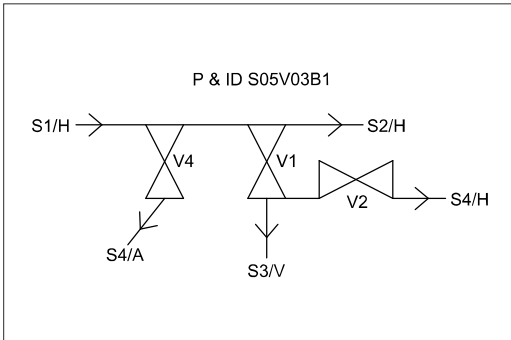




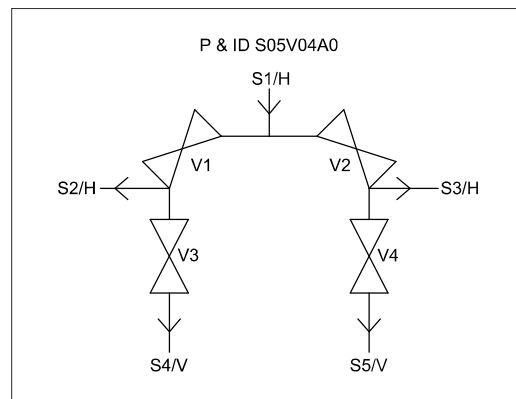
S04V04A3



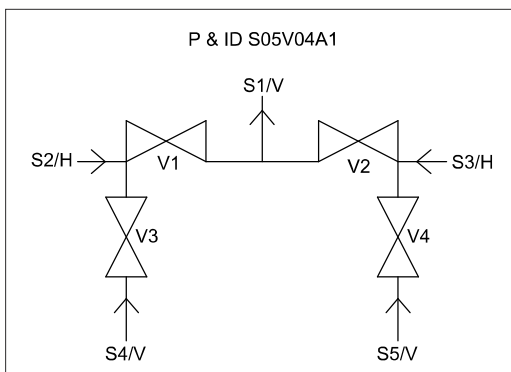
S05V03B1



S05V04A0

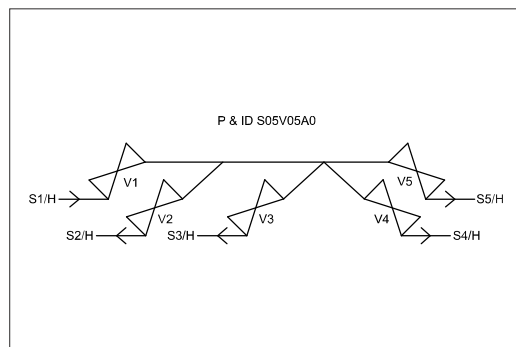
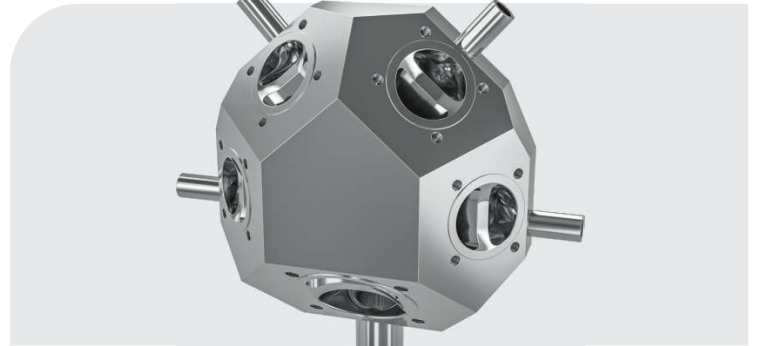


S05V04A1

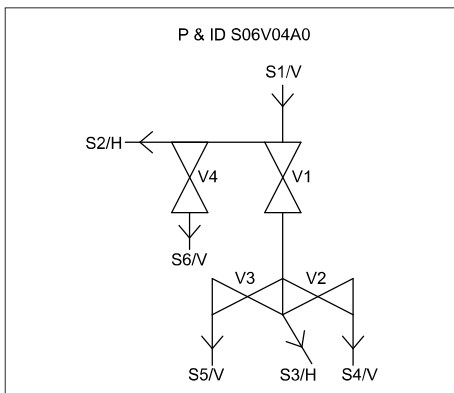




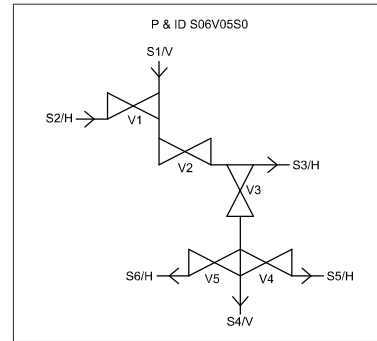
S05V05A0



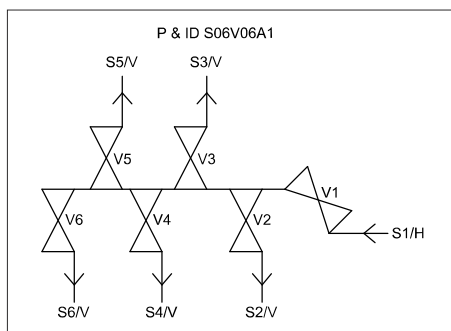
S06V04A0

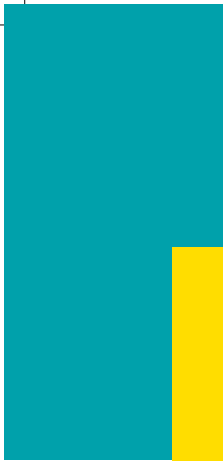


S06V05S0

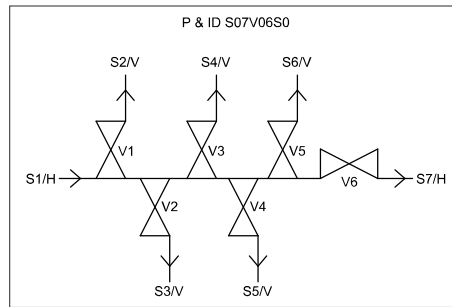


S06V06A1

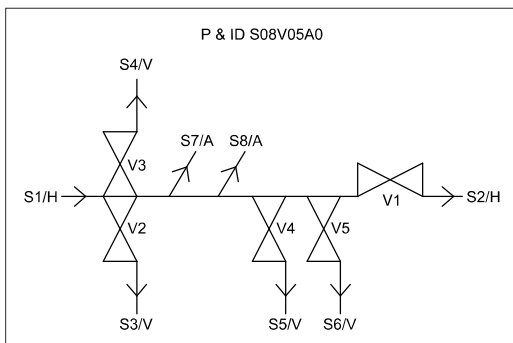


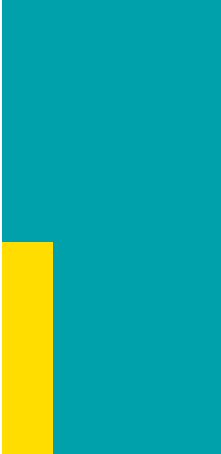


S07V06S0



S08V05A0





S17V15A0

