

## CRYO REGULATOR-Pressure Builder

Forged Brass body

### Application:

Regulator is designed to maintain pressure on cryogenic liquid within cryogenic containers. It is also used in cryogenic lines, vaporizer and converter applications. Available in a variety of pressure ratings.



### Features:

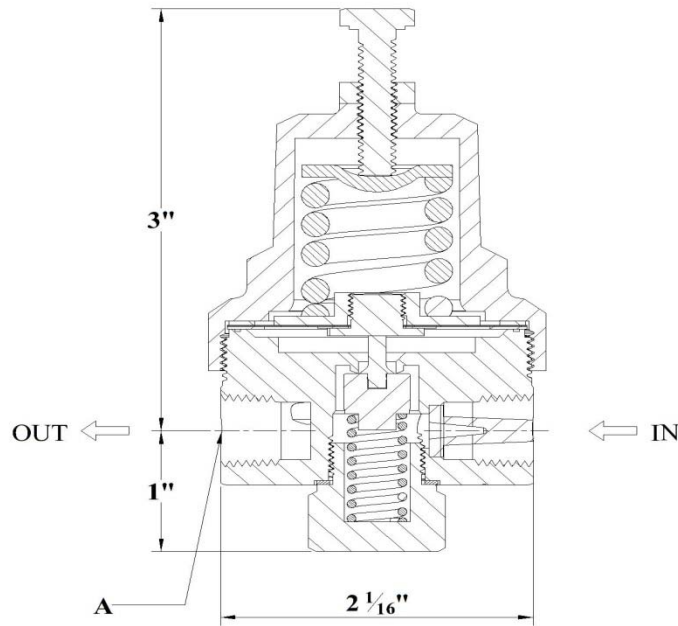
- ❖ PTFE seat helps assure a positive shut-off at cryogenic temperatures down to -196°C (-320°F)
- ❖ Compact design to fit in close quarters
- ❖ Interchangeable with existing cryogenic regulator units
- ❖ Inlet filter helps prevent foreign material from entering the regulator
- ❖ Locknut is provided to maintain adjusting screw setting
- ❖ Cleaned for liquid oxygen service per CGA G-4.1
- ❖ 100% factory tested

### Technical:

- ❖ Designed and manufactured in accordance with ASTM B31.1, EN 1626 & BS ISO 21011
- ❖ Full material traceability backed by BS EN 10204 3.1 certification

**Technical Data:**

|                        |                                    |
|------------------------|------------------------------------|
| Connection Size        | 1/4" NPT(F)                        |
| Media                  | LIN, LAR & LOX                     |
| Maximum Inlet Pressure | 550 PSIG (37.9 Bar)                |
| Operating Temperature  | -320°F TO +149°F (-196°C TO +65°C) |
| Body                   | Forged Brass (BS EN 12164 CW617N)  |
| Bonnet                 | Brass (BS EN 12164 CW721R)         |
| Seat Disc              | PTFE                               |
| Spring                 | Stainless Steel (SS 302)           |
| Gasket                 | PTFE                               |



**General Information:**

| Part #     | Inlet / Outlet Connections(A)<br>NPT(F) | Factory Pressure<br>Setting (PSIG) | Operating Range<br>(PSIG) |
|------------|---|------------------------------------|---------------------------|
| LECRRG022N | 1/4"                                    | 022                                | 0-30                      |
| LECRRG125N | 1/4"                                    | 125                                | 25-250                    |
| LECRRG300N | 1/4"                                    | 300                                | 125-350                   |

# Ordering Chart

**ORDER IDENTIFICATION NUMBER**

